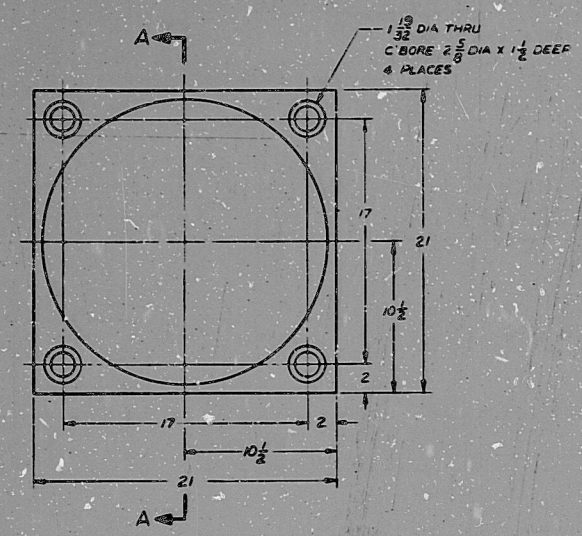
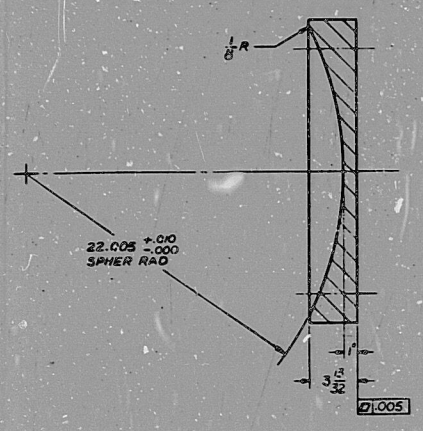


BILL OF MATERIALS				
QUANTITIES ARE FOR				
GROUP NO. & QUANTITY	NAME	PIECE NO.	MATERIAL	REMARKS
1	SOCKET	E-STD-220-002A	SEE NOTE 1	
2	SLIDE		SEE NOTE 2	
3	EXPANSION PLATE		SEE NOTE 3	

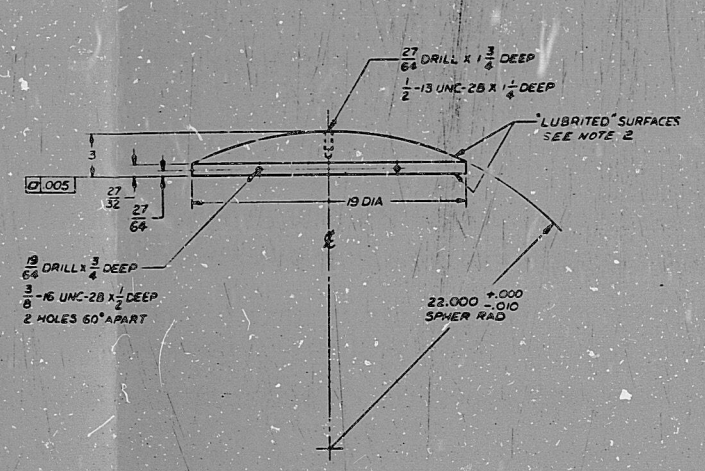


① SOCKET

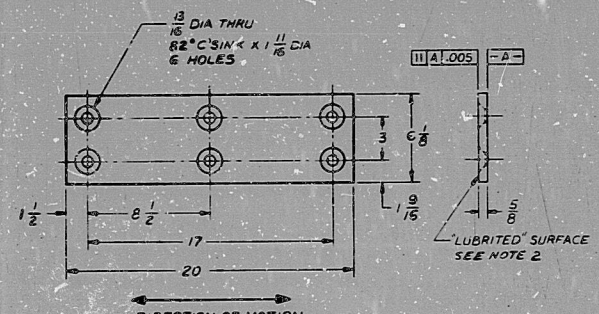


SECTION A-A

POOR ORIGINAL



② SLIDE



③ EXPANSION PLATE

- 4 DIMENSIONING & TOLERANCING PER USASI Y14.5-1966
- 3 FOR NOT TO GO SEE APPLICABLE CE SPECIFICATION (CONTRACT NO. 107-52)
- 2 THE SLIDE AND EXPANSION PLATES SHALL CONFORM TO SPECIFICATION ASTM B-22, ALLOYE TREATMENTED AND LUBRICATED WITH THE AE II LUBRICANT OF MERRIMAN CO, MINGHAM, MASS. OR EQUIVALENT
- 1 SOCKETS SHALL CONFORM TO ASTM-A-203-67 STRUCTURAL STEEL PLATES

TEMPERATURE CARD
CERTIFIED FOR CONSTRUCTION

E-STD-220-002

COMPONENT CODE# 02-41-0111

W.D.	MILLSTONE POINT UNIT 2	10767
P.	MUTTONWORM ISLAND UNIT 1	19367
PROJ.	PROJECT	CONTRACT
EXH.		

REV.	DESCRIPTION	DATE	BY	CHKD.	APP'D.	TOLERANCES UNLESS OTHERWISE SPECIFIED	SCALE	DATE	BY	CHKD.	APP'D.
1	ISSUED FOR CONSTRUCTION PER REV. 001 10/27/66					GENERAL: FRACTIONAL: DECIMAL: ANGLES: DIMENSIONS: UNLESS OTHERWISE SPECIFIED	1/2"				
2	UNLESS STATED OTHERWISE POINTS ARE TO BE MEASURED FROM THE CENTER OF THE HOLE					GENERAL: FRACTIONAL: DECIMAL: ANGLES: DIMENSIONS: UNLESS OTHERWISE SPECIFIED	1/2"				
3	1-DELETED ARKANSAS NUCLEAR ONE-UNIT 2 FROM PROJECT 1001 2-COMPONENT CODE WAS F-001-0030 PER REV. REQ 6270-66					GENERAL: FRACTIONAL: DECIMAL: ANGLES: DIMENSIONS: UNLESS OTHERWISE SPECIFIED	1/2"				

REACTOR VESSEL SUPPORT DETAILS
E-STD-220-002 (13)

MILLSTONE 2, QUESTION 1 & QUESTION 2A

17"

808100443

