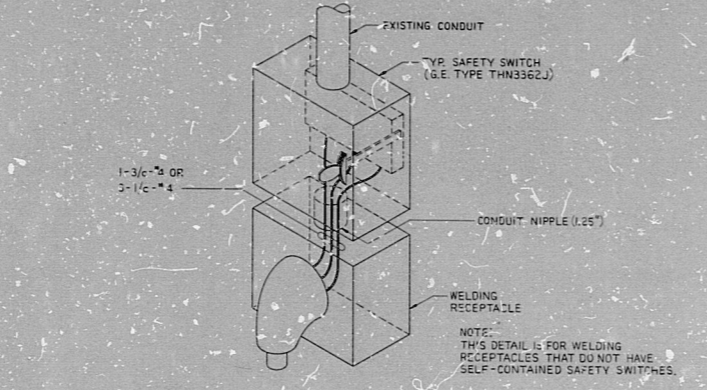
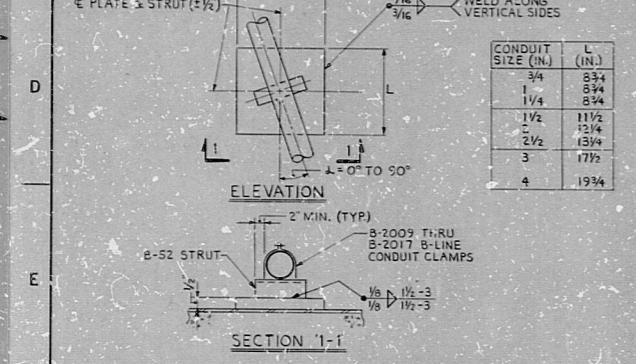
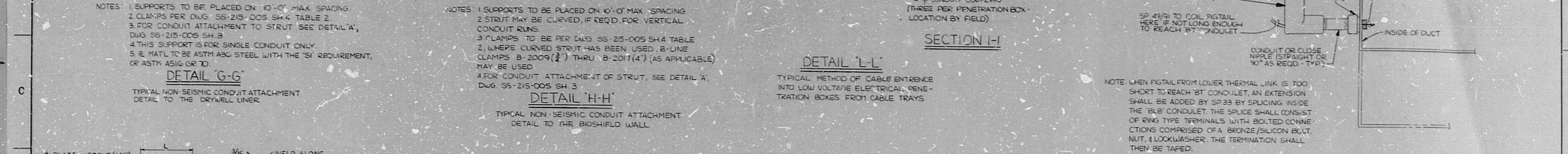
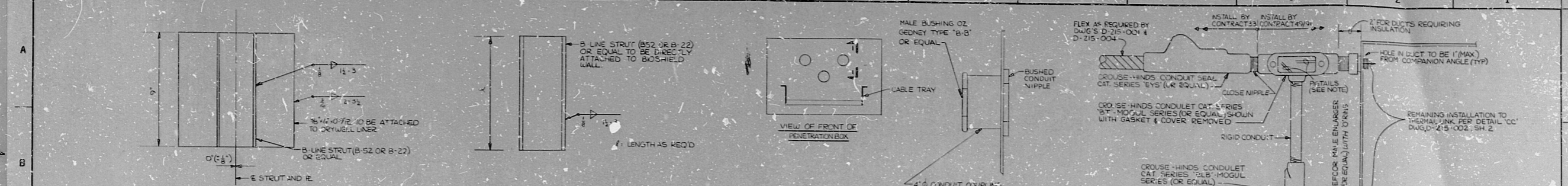


34"

34"

14 13 12 11 10 9 8 7 6 5 4 3 2 1



DETAIL G-G
TYPICAL NON-SEISMIC CONDUIT ATTACHMENT
DETAIL TO THE DRYWELL LINER

DETAIL H-H
TYPICAL NON-SEISMIC CONDUIT ATTACHMENT
DETAIL TO THE BIOSHIELD WALL

DETAIL NN
DETAIL FOR ATTACHING NON-SEISMIC CONDUIT
TO THE DRYWELL LINER

DETAIL PP
TYPICAL INSTALLATION OF SAFETY SWITCH ON
WELDING RECEPTACLE

NOTES: 1. SUPPORTS TO BE PLACED ON 10'-0" MAX. SPACING.
2. CLAMPS PER DWG. SS-215-005 SH. 4 TABLE 2.
3. FOR CONDUIT ATTACHMENT TO STRUT, SEE DETAIL 'A', DWG. SS-215-005 SH. 3.
4. THIS SUPPORT IS FOR SINGLE CONDUIT ONLY.
5. R. MAT. TO BE ASTM A36 STEEL WITH THE 'S' REQUIREMENT, OR ASTM A516 GR. 70.

NOTES: 1. SUPPORTS TO BE PLACED ON 10'-0" MAX. SPACING.
2. STRUT MAY BE CURVED, IF REQ'D, FOR VERTICAL CONDUIT RUNS.
3. CLAMPS TO BE PER DWG. SS-215-005 SH. 4 TABLE 2, WHERE CURVED STRUT HAS BEEN USED, B-LINE CLAMPS B-2009 (2) THRU B-2017 (4) (AS APPLICABLE) MAY BE USED.
4. FOR CONDUIT ATTACHMENT OF STRUT, SEE DETAIL 'A', DWG. SS-215-005 SH. 3.

NOTE: WHEN PIGTAIL FROM LOWER THERMAL LINK IS TOO SHORT TO REACH BY CONDUIT, AN EXTENSION SHALL BE ADDED BY SP. 33 BY SPLICING INSIDE THE 'BUB' CONDUIT. THE SPLICE SHALL CONSIST OF RING TYPE TERMINALS WITH BOLTED CONNECTIONS COMPRISED OF A BRONZE/SILICON BOLT, NUT, & LOCKWASHER. THE TERMINATION SHALL THEN BE TAPED.

REVIEWER: ENR 1409 3P-19 46
1409 33-1409 4
14372

ADDED DETAIL 'PP' PER ENR 8426-33-1888 4
ENR 8426-34-345
ADDED DETAIL 'NN' PER ENR 8220-33-1855

NUCLEAR SAFETY RELATED

CONSTRUCTION 34 33 34
LIMITED CONSTRUCTION AS NOTED
PRELIMINARY NOT FOR CONSTRUCTION
BIDDING PURPOSES

DATE RELEASED FOR ENGR.
THE CLEVELAND ELECTRIC ILLUMINATING COMPANY
PERRY NUCLEAR POWER PLANT UNITS 1 & 2
ELECTRICAL
CONDUIT LAYOUTS

DETAILS
GILBERT ASSOCIATES, INC.
PROGRESS AND CONSULTANTS

DATE 04 4549 D-215-002 A
DRAWING NUMBER REV 3

CONDUIT LAYOUT DETAILS UNIT 1 & 2 SHEET 3

34"

34"

82.208 0411

RIDS

