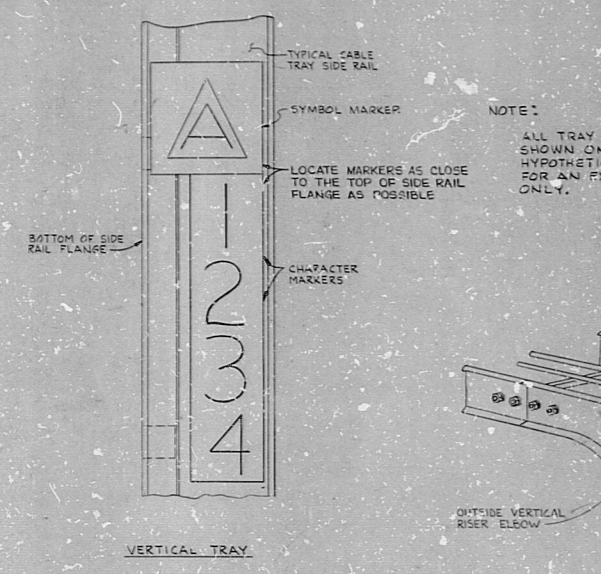
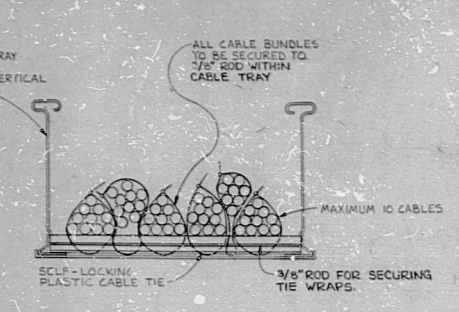
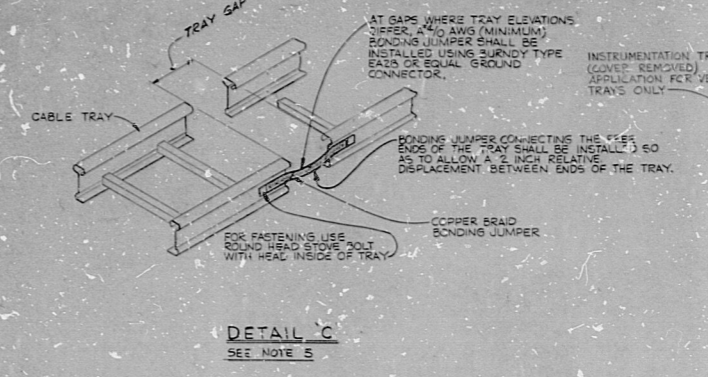
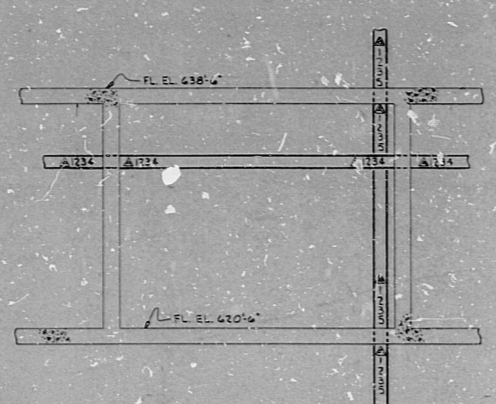
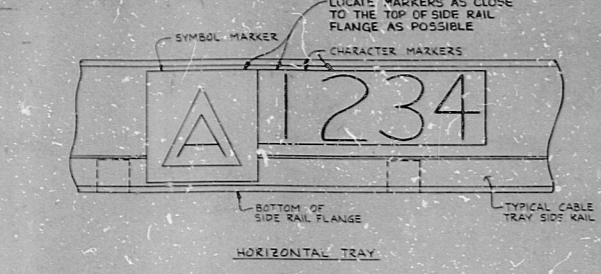
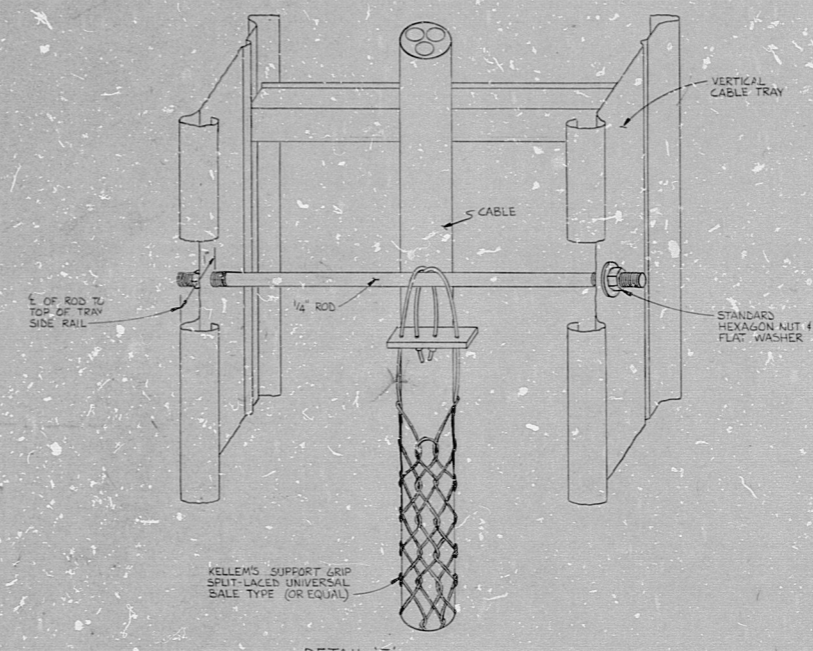
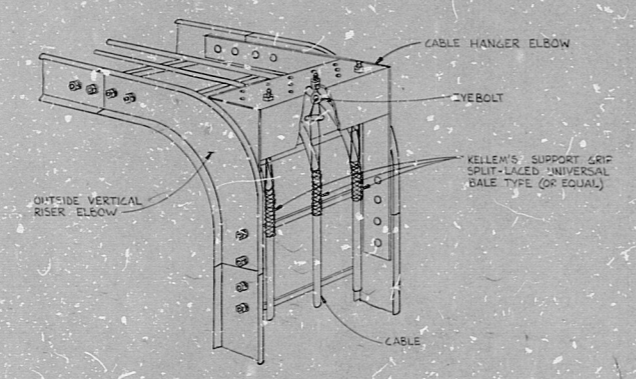


14 13 12 11 10 9 8 7 6 5 4 3 2 1

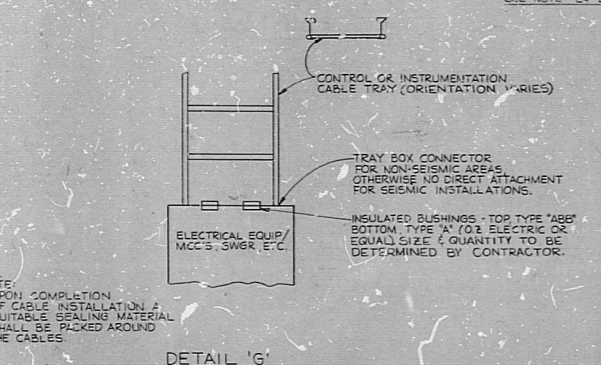


NOTE:
ALL TRAY SYMBOLS & CHARACTERS SHOWN ON THIS DRAWING ARE HYPOTHETICAL AND TO BE USED FOR AN EXAMPLE OF ARRANGEMENT ONLY.



CABLE O.D. (INCHES)	SUPPORT SPACING
0.75 THRU 0.59	NOT GREATER THAN 100 FEET
0.60 THRU 0.74	NOT GREATER THAN 80 FEET
0.75 THRU 0.95	NOT GREATER THAN 60 FEET
0.96 THRU 1.09	NOT GREATER THAN 50 FEET
1.10 THRU 1.31	NOT GREATER THAN 40 FEET
1.32 AND LARGER	NOT GREATER THAN 35 FEET

TABLE 1
SPACING FOR CONDUCTOR SUPPORTS (SEE DETAIL F)



NOTE:
UPON COMPLETION OF CABLE INSTALLATION A SUITABLE SEALING MATERIAL SHALL BE PACKED AROUND THE CABLES

- NOTES:**
- FOR ADDITIONAL NOTES, REFERENCES AND DETAILS, SEE DWG. D-214-001.
 - CLASS II AND ION-CLASS IIE CABLE TRAYS AND CHANNEL TYPE TRAYS SHALL HAVE SELF-ADHERING MARKERS AFFIXED TO BOTH SIDE RAILS (SEE DETAIL "F") AT MAXIMUM SPACING OF 15 FEET ALONG THE CABLE TRAY ROUTE AND AT ALL POINTS OF ENTRY TO AND EXIT FROM ENCLOSED AREAS (SEE DETAIL "B").
 - ALL TRAYS TO BE CLEANED WITH A COMMERCIALY AVAILABLE CLEANSER PRIOR TO AFFIXING MARKERS.
 - ALL MARKERS MUST BE AFFIXED PRIOR TO INSTALLATION OF ANY CABLE.
 - A BONDING JUMPER SHALL BE INSTALLED FOR ELECTRICAL CONTINUITY ACROSS ALL TRAY GAPS (SEE DETAIL "C").
 - AT EQUIPMENT INTERFACES WHERE CONTROL AND/OR INSTRUMENTATION CABLE TRAYS TERMINATE, WATER TIGHT CONDUIT BUSHINGS SHALL BE INSTALLED FOR ENTRY OF CABLES. UPON COMPLETION OF CABLE INSTALLATIONS THE BUSHING OPENINGS SHALL BE PACKED WITH A SUITABLE WATER TIGHT SEALANT (GDS SEAL, OR EQUAL). REFER TO DETAIL "G" FOR TYPICAL INSTALLATION.

DETAIL G
TYPICAL METHOD FOR INSTALLATION OF CONDUIT BUSHINGS FOR TRAY TO EQUIPMENT INTERFACES.

PRO APERTURE CARD

NUCLEAR SAFETY RELATED

REVISIONS		NO. DATE REASON APPROVAL	
11/22/76	CONSTRUCTION	1	
	LIMITED CONSTRUCTION AS NOTED		
11/24/76	PRELIMINARY NOT FOR CONSTRUCTION BIDDING PURPOSES	2	
	DATE RELEASED FOR ENGR.		
THE CLEVELAND ELECTRIC ILLUMINATING COMPANY			
PERRY NUCLEAR POWER PLANT		UNIT 1	
ELECTRICAL			
CABLE TRAY LAYOUT			
DETAILS			
DRAWING BY GILBERT ASSOCIATES, INC.		ENGINEER APPROVAL	
CHECKED BY		DATE	
SCALE		DRAWING NUMBER	
04 4549		D-214-002 H	

REVISIONS

NO.	DATE	REVISION
1	11/22/76	CONSTRUCTION
2	11/24/76	PRELIMINARY NOT FOR CONSTRUCTION BIDDING PURPOSES
3		DATE RELEASED FOR ENGR.
4		THE CLEVELAND ELECTRIC ILLUMINATING COMPANY
5		PERRY NUCLEAR POWER PLANT UNIT 1
6		ELECTRICAL
7		CABLE TRAY LAYOUT
8		DETAILS
9		DRAWING BY GILBERT ASSOCIATES, INC.
10		ENGINEER APPROVAL
11		CHECKED BY
12		DATE
13		SCALE
14		DRAWING NUMBER
15		04 4549
16		D-214-002 H

82:2080191

RIDS

