

34

34

14 13 12 11 10 9 8 7 6 5 4 3 2 1

A
B
C
D
E
F
G
H
J
K

A
B
C
D
E
F
G
H
J
K

22"

22"

17"

17"

11"

11"

8.5"

8.5"

11"

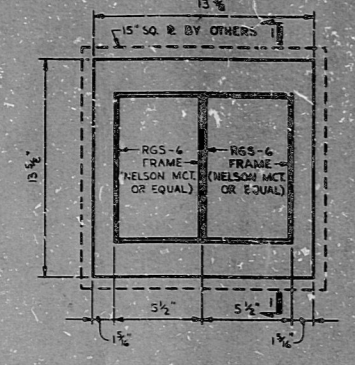
11"

17"

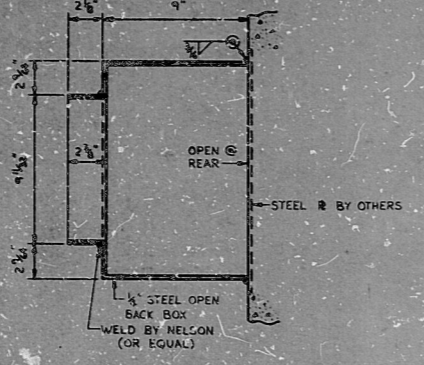
17"

22"

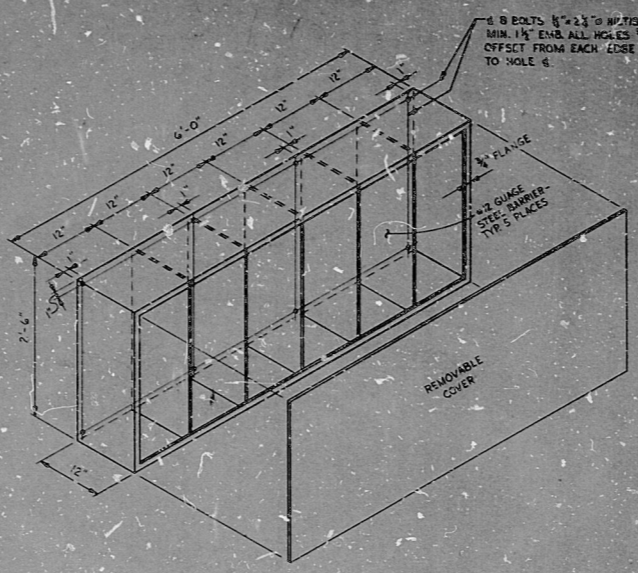
22"



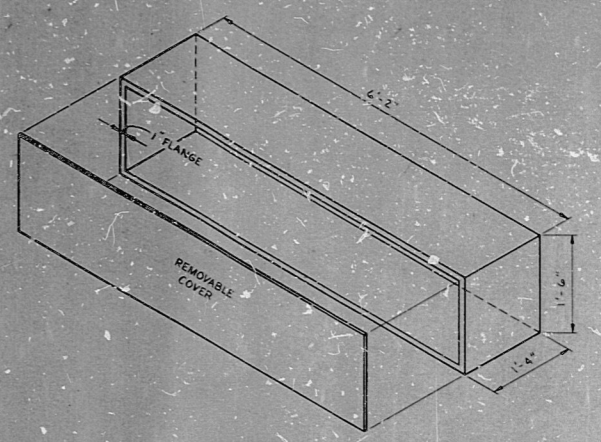
SPECIAL MARK 49
FRONT VIEW
SP 33
SCALE: 3/4" = 1'-0"



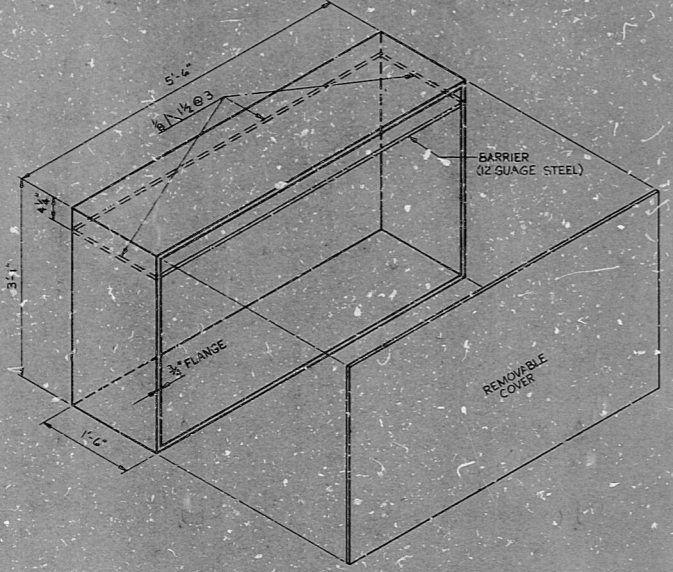
SECTION I-I
SCALE: 1" = 1'-0"



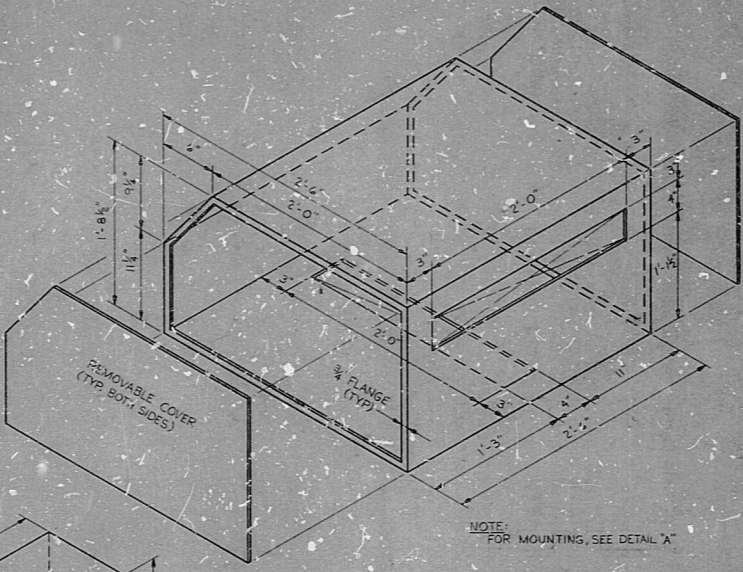
SPECIAL MARK 50
SP 33
SCALE: 1" = 1'-0"



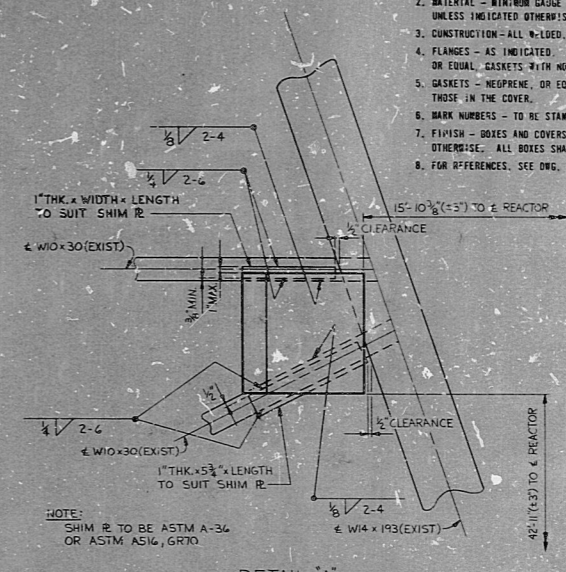
SPECIAL MARK 53
SP 33
SCALE: 1" = 1'-0"



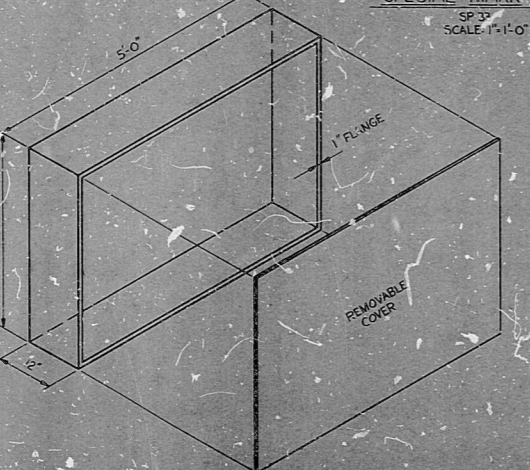
SPECIAL MARK 51
SP 33
SCALE: 1" = 1'-0"



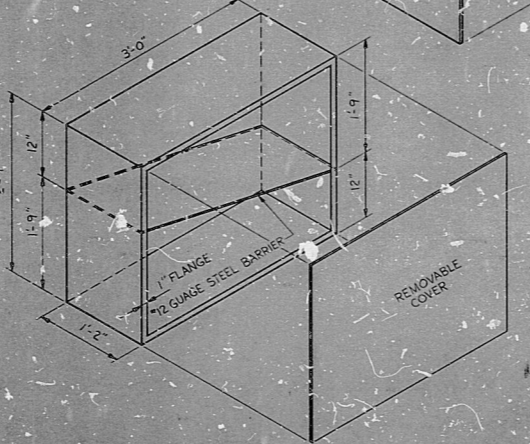
SPECIAL MARK 52
SP 33
SCALE: 1 1/2" = 1'-0"



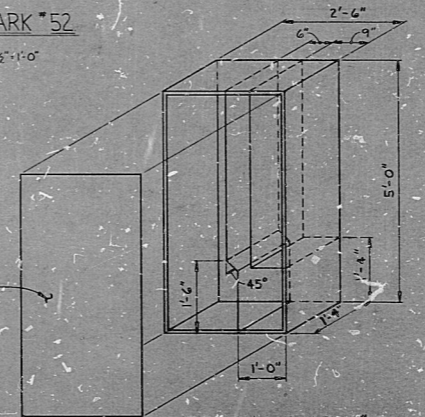
DETAIL A
MOUNTING DETAIL FOR SPECIAL MARK 52
SCALE: 3/4" = 1'-0"



SPECIAL MARK 54
SP 33
SCALE: 3/4" = 1'-0"



SPECIAL MARK 55
SP 33
SCALE: 1" = 1'-0"



SPECIAL MARK 56
SP 33
SCALE: 3/4" = 1'-0"

P.P.C. APERTURE CARD

NUCLEAR SAFETY RELATED

NO.	DATE	ISSUED	BY	APPROVED
1				
2				
3				
4				
5				
6				
7				
8				
9				
10				
11				
12				
13				
14				
15				
16				
17				
18				
19				
20				
21				
22				
23				
24				
25				
26				
27				
28				
29				
30				
31				
32				
33				
34				
35				
36				
37				
38				
39				
40				
41				
42				
43				
44				
45				
46				
47				
48				
49				
50				
51				
52				
53				
54				
55				
56				
57				
58				
59				
60				
61				
62				
63				
64				
65				
66				
67				
68				
69				
70				
71				
72				
73				
74				
75				
76				
77				
78				
79				
80				
81				
82				
83				
84				
85				
86				
87				
88				
89				
90				
91				
92				
93				
94				
95				
96				
97				
98				
99				
100				

NO.	DATE	ISSUED	BY	APPROVED
1				
2				
3				
4				
5				
6				
7				
8				
9				
10				
11				
12				
13				
14				
15				
16				
17				
18				
19				
20				
21				
22				
23				
24				
25				
26				
27				
28				
29				
30				
31				
32				
33				
34				
35				
36				
37				
38				
39				
40				
41				
42				
43				
44				
45				
46				
47				
48				
49				
50				
51				
52				
53				
54				
55				
56				
57				
58				
59				
60				
61				
62				
63				
64				
65				
66				
67				
68				
69				
70				
71				
72				
73				
74				
75				
76				
77				
78				
79				
80				
81				
82				
83				
84				
85				
86				
87				
88				
89				
90				
91				
92				
93				
94				
95				
96				
97				
98				
99				
100				

34

34

821208 0132

R.D.S

