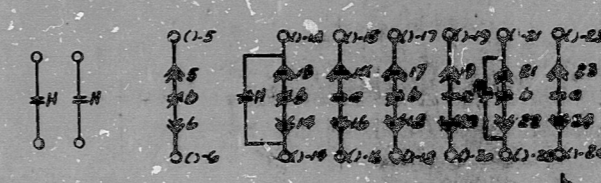
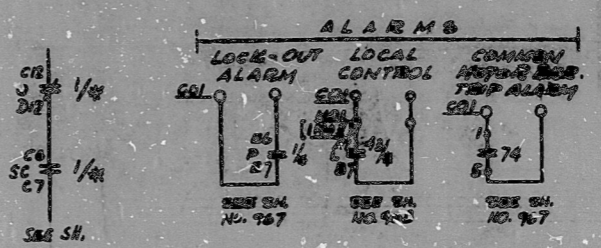
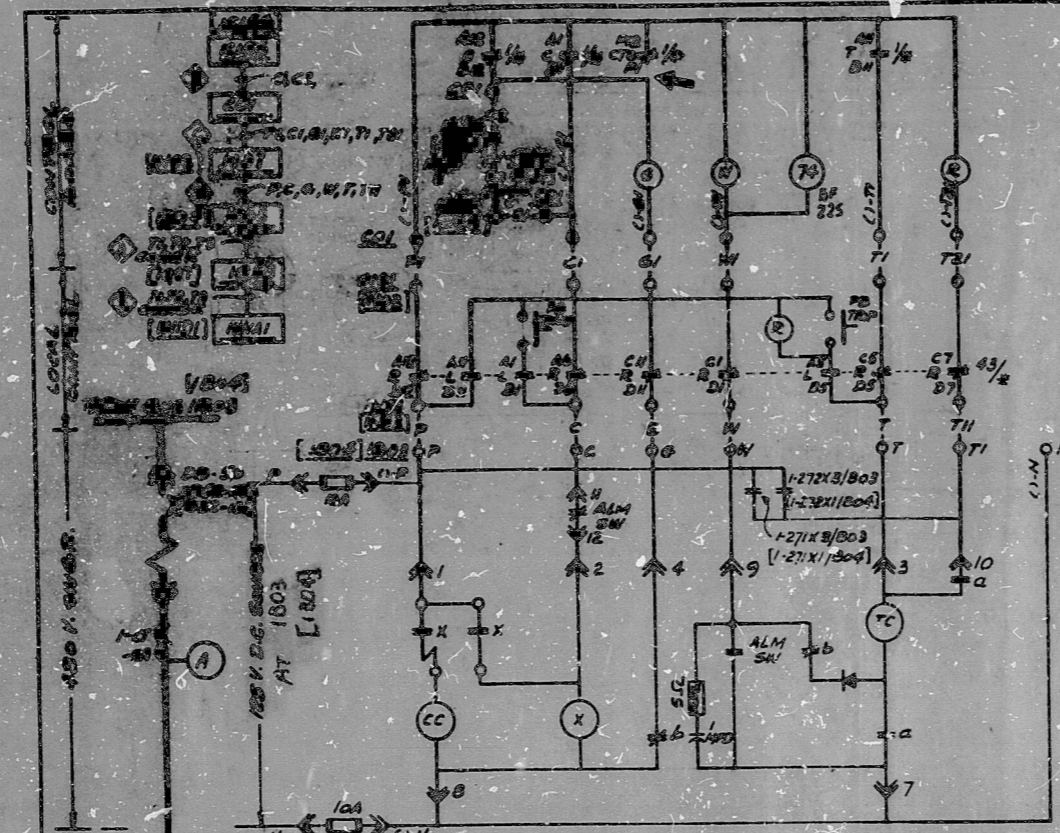


NOTE: CONTACTS (A12-B12)(A6-B6)(C11-D11)(C1-D1)(C5-D5)(C7-D7) WILL BE OPEN WHEN LOCAL-REMOTE SWITCH IS IN THE LOCAL POSITION.



POOR ORIGINAL

- NOTES:
- 1. 1/4" - IN/IAI, UN/IDA (SEE SH. NO. 1001, N.S. 2)
 - 2. SEE W. DIAG. NO. 163 SH. 12
 - 3. 3/4" - IN/IAI, UN/IDA (SEE SH. NO. 1001, N.S. 2)

21182 PB 31E24200405011

SCHEMATIC NO. 21182

WESTINGHOUSE ELECTRIC CORPORATION
 SAN FRANCISCO
 ATOMIC POWER DIVISION
 WISCONSIN MICHIGAN POWER COMPANY
 POINT BEACH NUCLEAR PLANT UNIT I

ELEMENTARY WIRING DIAG. CONTINUED PAGES 10/11

4998466

8210190813

211182

APPROVED
 DATE 2-9-68
 WESTINGHOUSE
 PWRPD

REV 10	10	9	8	7	6	5	4	3	2	1
REVISED	BY	DATE	DESCRIPTION							

11

11

8.5

8.5

11

17

11

11

8.5

8.5

11

17

RIDS

8210190813

