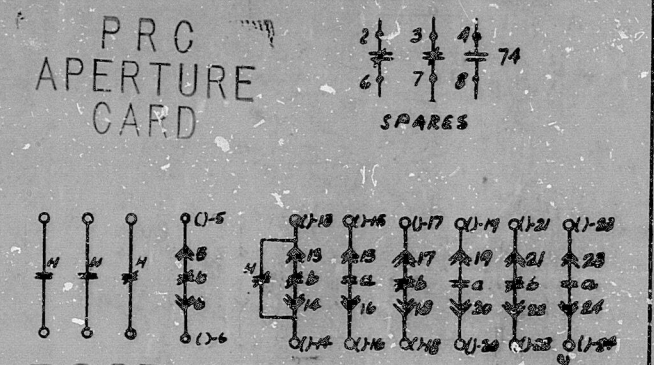
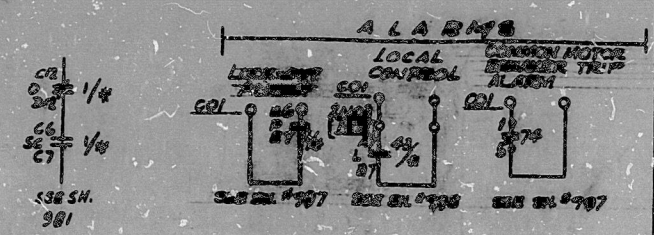
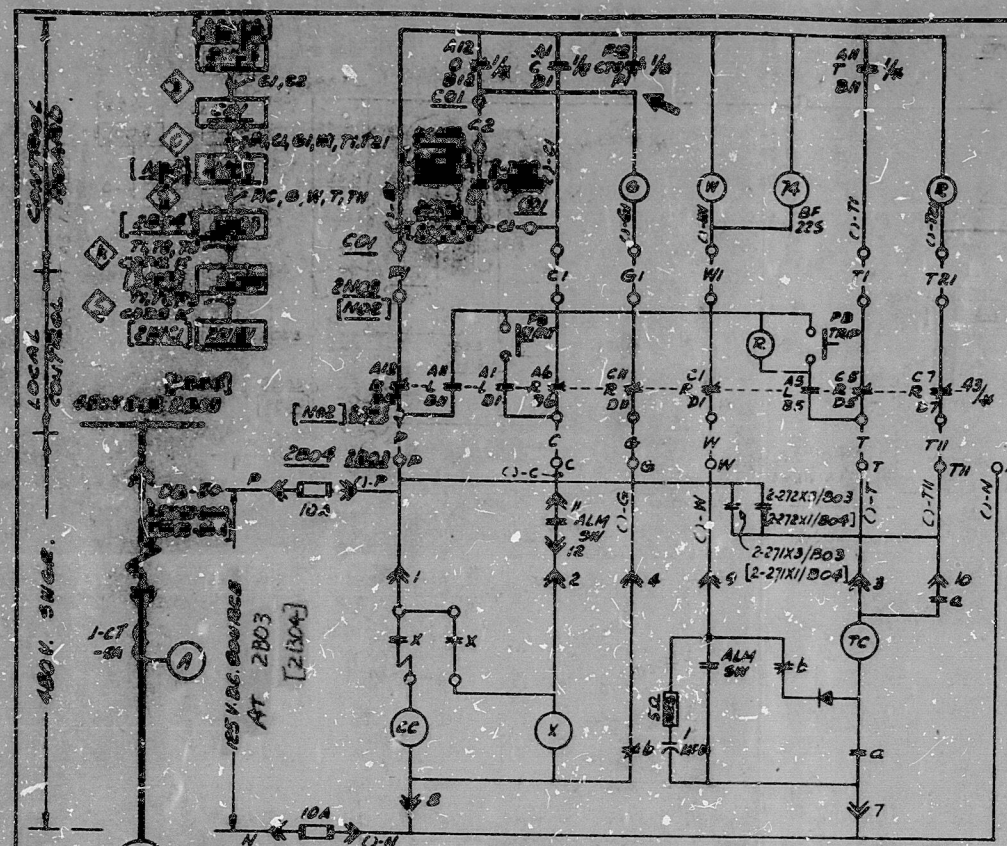


NOTES: SAME AS SHT 358



- NOTES:
1. 1/2 - 2W121, 2W1C1, (SEE SH. 60, DEV. 1, N.P. 'D')
 2. SEE W Dwg. 110E163 SH. 12
 3. 43/# - 2W121, 2W1C1, (SEE SH. 60, DEV. 3, N.P. 'E')

21205

21205 PB 31 E24200407309

APPROVED
BY: PSM-D-028 DATE: 2-8-68
WESTINGHOUSE
POWER

REV 6	DCI 1542 SK	REV 5	REV 4	REV 3	REV 2	REV 1	REV 0
1-11-68	1-11-68	1-11-68	1-11-68	1-11-68	1-11-68	1-11-68	1-11-68
1	2	3	4	5	6	7	8

WESTINGHOUSE
SAN FRANCISCO
ATOMIC POWER DIVISION
WISCONSIN MICHIGAN POWER COMPANY
POINT BEACH NUCLEAR PLANT UNIT 2
ELEMENTARY WIRING DIAGRAMS
499B465

17"
11"
8.5"
11"
8.5"
17"

17"
11"
8.5"
11"
8.5"
17"

8210190812 011205

RIDS

8210190812

