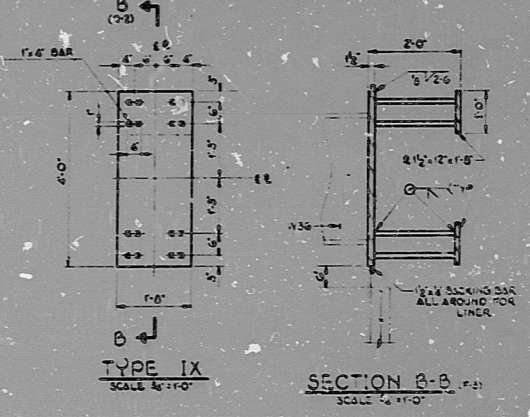
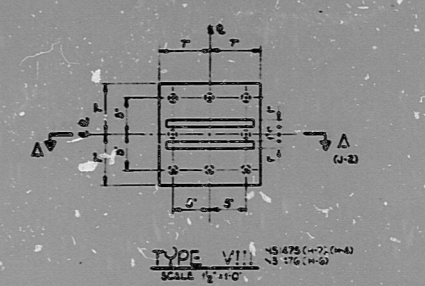
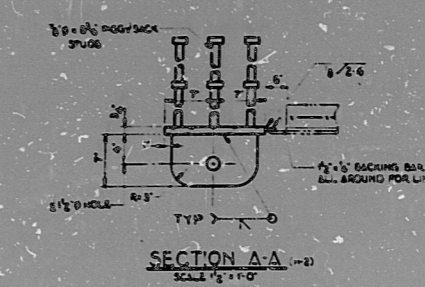


- NOTES**
1. SEE DWG. NS1475 FOR GENERAL NOTES AND NS1476 FOR REFERENCE DRAWINGS.
  2. FOR PENETRATION LIST SEE NS 1475.
  3. ALL UNPERFORATED PLATES ON THIS DWG SHALL BE ASTM A36.



**LEGEND:**  
SEE DWG. NS1476

**DEVELOPED ELEVATION**  
SEE DWG. NS1476 FOR PENETRATION SCHEDULES AND NEAR-TIE ALLOCATIONS.

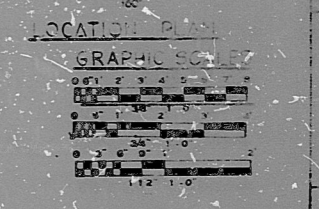
**POOR ORIGINAL**

**PRC APERTURE CARD**

**EMBEDDED PLATE SCHEDULE**

MARK	ZONE	DETAIL	TYPE	LOCATION	REF. DWG.	REMARKS
P7899	IV			289.20 761-24		
P7898	IV			289.20 761-24		
P7897	IV			289.20 761-24		
P7896	IV			289.20 761-24		
P7895	IV			289.20 761-24		
P7894	IV			289.20 761-24		
P7893	IV			289.20 761-24		
P7892	IV			289.20 761-24		

NO.	DATE	DESCRIPTION	BY	CHKD.	APP'D.	REVISION
1	10/1/58	FOR DRAWING APPROVED				
2	10/1/58	APPROVED FOR PROJECT USE				
3	10/1/58	DELETED HOLD # 270000000 (C-3) C-407 27-05-000-1528				
4	10/1/58	DELETED HOLD # 270000000 (C-3) C-407 27-05-000-1525				



**NUCLEAR SAFETY RELATED**

PROJECT OFFICE AP. 10/1/58 FOR CONSTRUCTION

**CBRR PROJECT OFFICE**  
DEPARTMENT OF ENERGY  
CLINCH BREECHER REACTOR PLANT  
BURNS & MCDONNELL, INC.  
ENGINEERS AND CONSTRUCTORS  
BREWER REACTOR DIVISION - BOSTON, MASS.  
REACTOR CONSTRUCTION BUILDING  
REACTOR CAVITY DEVELOPED FROM A  
270° TO 90° AT R-200

DWG. NO. NS1475



RIDS

829030151

