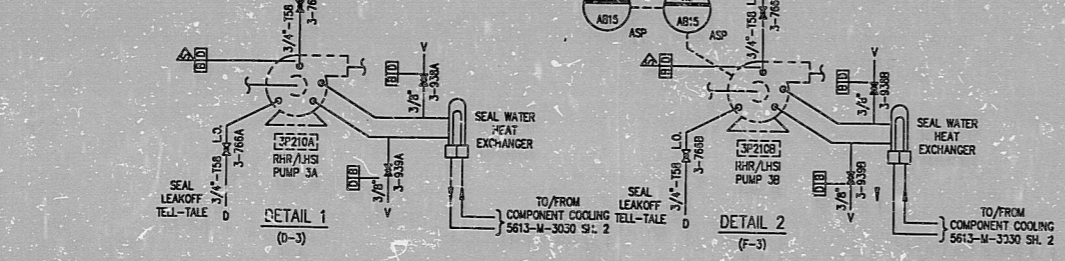
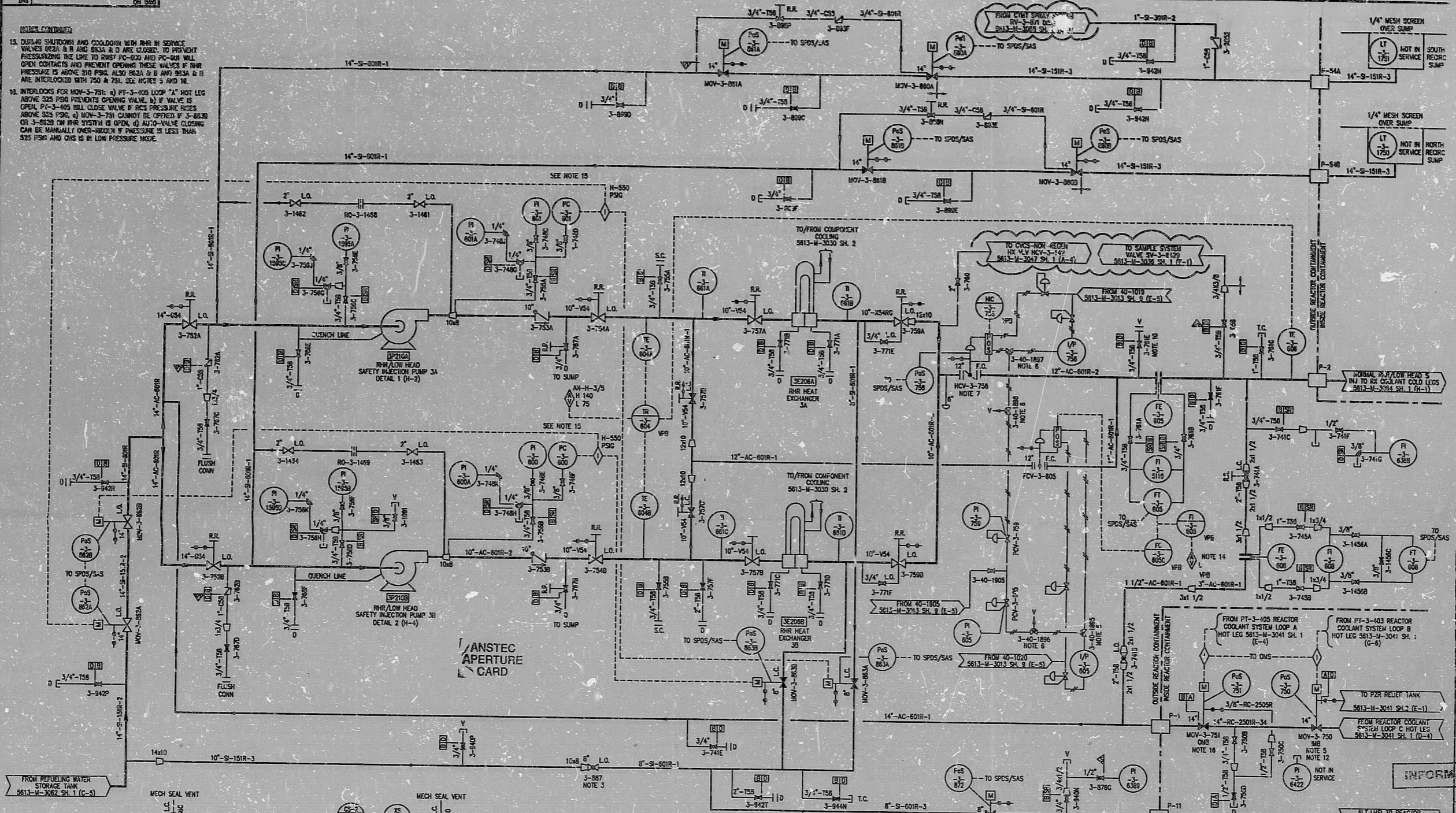


**MUST CONTRAST**

15. OUTSIDE SHUTDOWN AND COOLDOWN WITH RHR IN SERVICE VALVES B, C, D AND E, A, B AND C, D ARE CLOSED, TO PREVENT PRESSURIZING THE LINE TO PREVENT PC-802 AND PC-801 WILL OPEN CONTACTS AND PREVENT OPENING THESE VALVES IF RHR PRESSURE IS ABOVE 210 PSIG. ALSO B, C, D AND E, A, B AND C ARE INTERLOCKED WITH 750 & 751. SEE NOTES 3 AND 18.

16. INTERLOCKS FOR MOV-3-751: a) PT-3-403 LOOP "A" HOT LEG ABOVE 525 PSIG PREVENTS OPENING VALVE. b) IF VALVE IS OPEN, PT-3-403 WILL CLOSE VALVE IF RCS PRESSURE RISES ABOVE 525 PSIG. c) MOV-3-751 CANNOT BE OPENED IF 3-852B OR 3-852C ON RHR SYSTEM IS OPEN. d) AUTO-VALVE CLOSING CAN BE MANUALLY OVER-RIDDEN IF PRESSURE IS LESS THAN 525 PSIG AND OMS IS IN LOW PRESSURE MODE.



THIS DRAWING SUPERSEDES DRAWINGS:  
 5610-M-369 REV. 5  
 5610-M-470-S SH.2 REV. 28  
 5610-M-1300 REV. 4  
 5610-M-470-S SH.4 REV. 26  
 5610-M-370 REV. 3  
 5610-M-450-S3 REV. 22  
 5610-M-470-S SH.3 REV. 31  
 5610-M-470-S SH.2 REV. 8  
 5610-M-470-S SH.3 REV. 10  
 5610-M-470-C SH.4 REV. 4

**REFERENCE DRAWINGS:**  
 5613-M-3062 SERIES SAFETY INJECTION SYSTEM CONTAINMENT SPRAY SYSTEM SAFETY INJECTION - ACCUMULATOR SYSTEM  
 5613-M-3041 SH. 1 REACTOR COOLANT SYSTEM COMPONENT COOLING WATER SYSTEM  
 5613-M-3030 SH. 2  
 5610-T-D-2 CONTROL SYSTEM DIAGRAM CONTROL, PROTECTION, SAFEGUARDS AND STATUS MONITORING SYSTEMS LOGIC DIAGRAM  
 5610-T-L1 SAFETY INJECTION SYSTEM LOGIC DIAGRAM  
 5613-M-3038 SH.1 SAMPLE SYSTEM - NSSS CHEMICAL & VOLUME CONTROL SYSTEM  
 5613-M-3047 SH.1

**NOTES:**

- FOR GENERAL NOTES & LEGEND SEE URG NO. 5610-M-3000 SH. 2 DELETED.
- VALVE 3-857 SHALL BE UNLOCKED AND THROTTLED TO LIMIT RHR PUMP RUNOUT ONLY DURING REFUELING MODE WHEN TRANSFERRING CAVITY WATER BACK TO THE RWST.
- MOV-3-872 TO OPEN ONLY 2 1/2" TO AVOID RHR PUMP RUNOUT DURING ALTERNATE RHR COOLING.
- INTERLOCKS FOR MOV-3-750: a) PT-3-403 LOOP "A" HOT LEG ABOVE 525 PSIG PREVENTS OPENING VALVE. b) IF VALVE IS OPEN, PT-3-403 WILL CLOSE VALVE IF RCS PRESSURE RISES ABOVE 525 PSIG. c) MOV-3-750 CANNOT BE OPENED IF 3-853A OR 3-853B ON RHR SYSTEM IS OPEN. d) AUTO-VALVE CLOSING CAN BE MANUALLY OVER-RIDDEN IF PRESSURE IS LESS THAN 525 PSIG AND OMS IS IN LOW PRESSURE MODE.
- SEALED "N" AS SHOWN.
- VALVE MOV-3-758 LIMITS RECIRCULATION RUNOUT FLOW BY MECHANICAL STOP TO LIMIT RUNOUT FLOW DURING RECIRCULATION TO 3000 GPM. THE MECHANICAL STOP LETTER FPL-N-1214 DATED JUNE 7, 1972.
- ALL PIPING ON THIS DRAWING IS WITHIN SEISMIC/O BOUNDARIES UNLESS OTHERWISE NOTED.
- MSB = INSIDE MISSILE BARRIER  
 OMS = OUTSIDE MISSILE BARRIER
- HIGH POINT OF RHR SYSTEM FOR VENTING.
- HANDWHEELS ARE LOCKED ON VALVES MOV-3-BE2 A & B. A 3/8" HOLE IS DRILLED IN RCS SIDE OF DISK TO PROVIDE A RELIEF PATH.
- MOV-3-872 HAS A 1/8" HOLE DRILLED IN THE DOWNSTREAM DISC FOR INTERDISC RELIEF.
- LOW ALARM SET AT 3000 GPM. HIGH ALARM MUST BE SET ABOVE 3000 GPM.

| REV | DATE     | REVISION  | BY  | CHK              | APP | REV | DATE | REVISION |
|-----|----------|---|-----|------------------|-----|-----|------|----------|
| 8   | 11-04-93 | ISSUED AS-BUILT FOR DCR-TPM-93-467.   | RH  | RV               | DJB | BO  |      |          |
| 7   | 9-20-93  | ISSUED AS-BUILT FOR DCR-TPM-93-308.   | SMH | HO               | LJK | MRI | 10   | 2-22-94  |
| 6   | 04-01-93 | ISSUED AS-BUILT FOR PC/M 33-002 AND PC/M 93-046.                            | SP  | AD               | HRB | MFM | 9    | 2-22-94  |
| 5   | 03-06-93 | ISSUED AS-BUILT FOR DCR-TPM-93-076.   | SP  | INITIALS ON FILE |     |     | 0    | 4-2-91   |
| 4   | 2-10-93  | ISSUED AS-BUILT FOR PC/M'S 92-090, 90-386, 90-445, 89-457, AND CHM-E-11470. | SMH | INITIALS ON FILE |     |     |      |          |

| REV | DATE     | REVISION  | BY  | CHK              | APP | REV | DATE | REVISION |
|-----|----------|---|-----|------------------|-----|-----|------|----------|
| 1   | 11-04-93 | ISSUED AS-BUILT FOR DCR-TPM-93-512.                           | SMH | HO               | LJK | MRI | 10   | 2-22-94  |
| 2   | 04-01-93 | ISSUED AS-BUILT FOR DCR-TPM-93-401.                           | SP  | AD               | HRB | MFM | 9    | 2-22-94  |
| 3   | 03-06-93 | THIS Dwg CREATED PER THE P & ID RECONSTRUCTION PROJECT SCOPE. | SP  | INITIALS ON FILE |     |     | 0    | 4-2-91   |
| 4   | 2-10-93  | AND ISSUED INTO THE FPL-DWS-SYSTEM PER DCR-TPM-91-044.        | SMH | INITIALS ON FILE |     |     |      |          |

TURKEY POINT NUCLEAR UNIT 3  
 P & ID  
**RESIDUAL HEAT REMOVAL SYSTEM**

STONE & WEBSTER ENGINEERING CORP.  
 FT. LAUDERDALE, FLORIDA

DRAWING NUMBER: 5613-M-3050  
 SHEET 1

SYS: 050  
 REV: 10

5613-M-3050 SH. 1

INFORMATION ONLY

POD



01406210131

PDR RIDS

