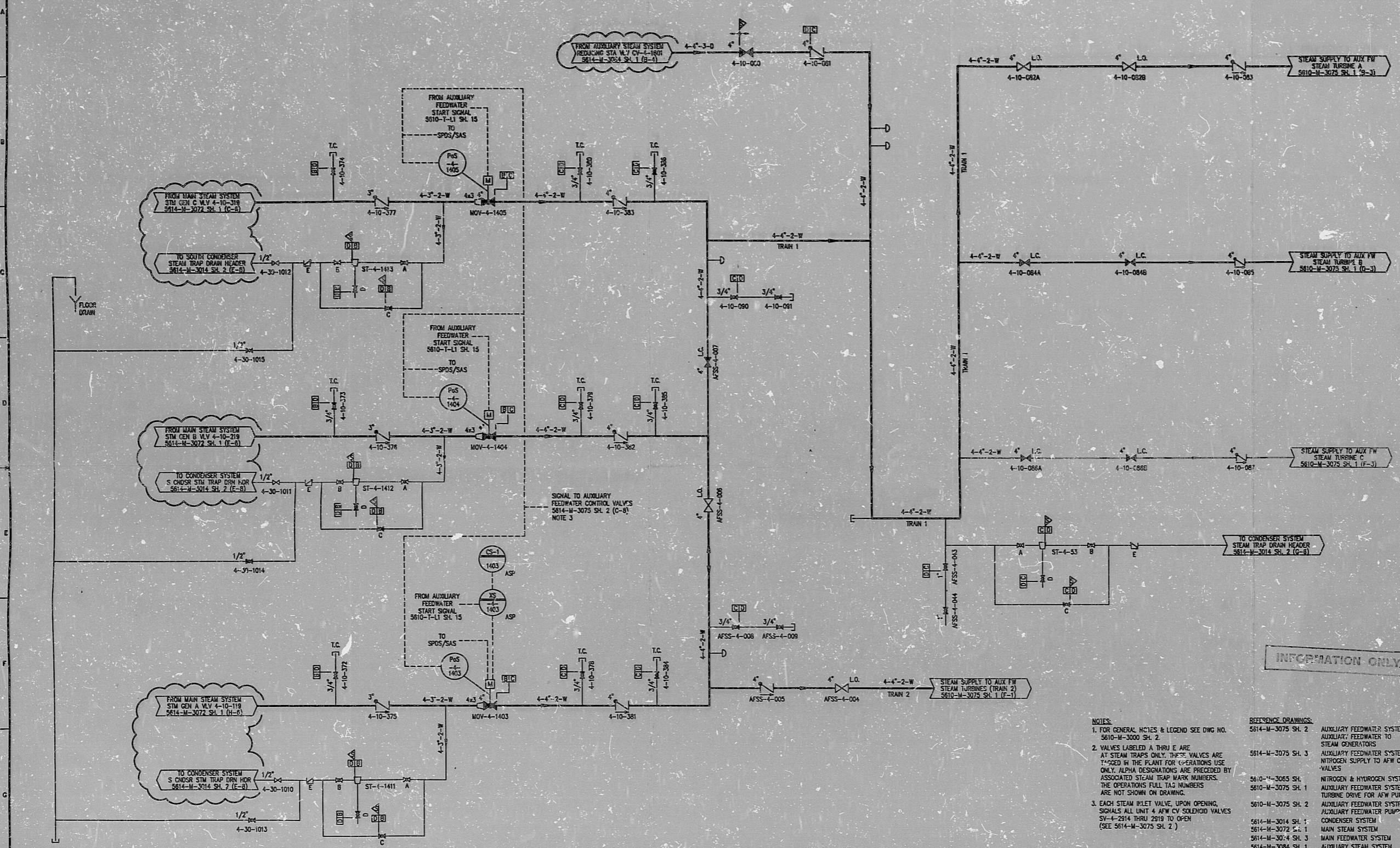


5614-M-3075
CH 0001



INFORMATION ONLY

- NOTES:**
- FOR GENERAL NOTES & LEGEND SEE DWG NO. 5610-M-3000 SH. 2
 - VALVES LABELED A THRU E ARE AT STEAM TRAPS ONLY. THESE VALVES ARE TYPED IN THE PLANT FOR OPERATIONS USE ONLY. ALPHA DESIGNATIONS ARE PRECEDED BY ASSOCIATED STEAM TRAP MARK NUMBERS. THE OPERATIONS FULL TAG NUMBERS ARE NOT SHOWN ON DRAWING.
 - EACH STEAM INLET VALVE, UPON OPENING, SIGNALS ALL UNIT 4 AFW CY SOLENOID VALVES SV-4-2914 THRU 2919 TO OPEN (SEE 5614-M-3075 SH. 2)
- REFERENCE DRAWINGS:**
- 5614-M-3075 SH. 2 AUXILIARY FEEDWATER SYSTEM AUXILIARY FEEDWATER TO STEAM GENERATORS
 - 5614-M-3075 SH. 3 AUXILIARY FEEDWATER SYSTEM NITROGEN SUPPLY TO AFW CONTROL VALVES
 - 5610-M-3065 SH. 1 NITROGEN & HYDROGEN SYSTEMS AUXILIARY FEEDWATER SYSTEM TURBINE DRIVE FOR AFW PUMPS
 - 5610-M-3075 SH. 1 AUXILIARY FEEDWATER SYSTEM AUXILIARY FEEDWATER PUMPS
 - 5610-M-3075 SH. 2 AUXILIARY FEEDWATER PUMPS CONDENSER SYSTEM
 - 5614-M-3014 SH. 1 MAIN STEAM SYSTEM
 - 5614-M-3072 SH. 1 MAIN STEAM SYSTEM
 - 5614-M-3014 SH. 3 MAIN FEEDWATER SYSTEM
 - 5614-M-3084 SH. 1 AUXILIARY STEAM SYSTEM LOGIC DIAGRAM, AUXILIARY FEEDWATER PUMP START
 - 5610-T-11 SH. 15

THIS DRAWING SUPERSEDES DRAWINGS:
5610-M-1 SH. 2 REV. 5
5610-M-1302 REV. 5

NOTE: THIS DWG IS MADE FROM:
FPL POD 5610-T-E-4061 SH. 4 REV. 30

REV	DATE	REVISION	BY	CH	APP	APP	REV	DATE	REVISION
3	12-14-92	ISSUED AS-BUILT FOR PC/M 93-542.							
2	7-9-92	ISSUED AS-BUILT FOR DCR-TPM-92-030.							
1	2-20-92	THIS DRAWING SUPERSEDES DWG 5610-M-1 SH. 2 FOR DCR-TPM-91-249 & 5610-M-1302 FOR DCR-TPM-91-137. ISSUED AS-BUILT FOR DCR-TPM-91-249.							
0	5-14-91	THIS DWG CREATED PER THE P & ID RECONSTRUCTION PROJECT SCOPE AND ISSUED INTO THE FPL DWG SYSTEM PER DCR-TPM-91-137.							
7	4-25-94	ISSUED AS-BUILT FOR DCR-TPM-93-548.							
6	12-16-93	ISSUED AS-BUILT FOR PC/M 93-054.							
5	09-20-93	ISSUED AS-BUILT FOR DCR-TPM-93-309.							
4	04-01-93	ISSUED AS-BUILT FOR PC/M 93-077 AND PC/M 93-048.							

TURKEY POINT NUCLEAR UNIT 4
P A I D

STONE & WEBSTER ENGINEERING CORP.
FT. LAUDERDALE, FLORIDA

DRAWING NUMBER: 5614-M-3075
SYS: 075
REV: 7
SHEET: 1

AUXILIARY FEEDWATER SYSTEM
STEAM TO AUXILIARY FEEDWATER
PUMP TURBINES

5614-M-3075 SH. 1

ANSTEC
APERTURE
CARD

9406210108

PDR RIDS

