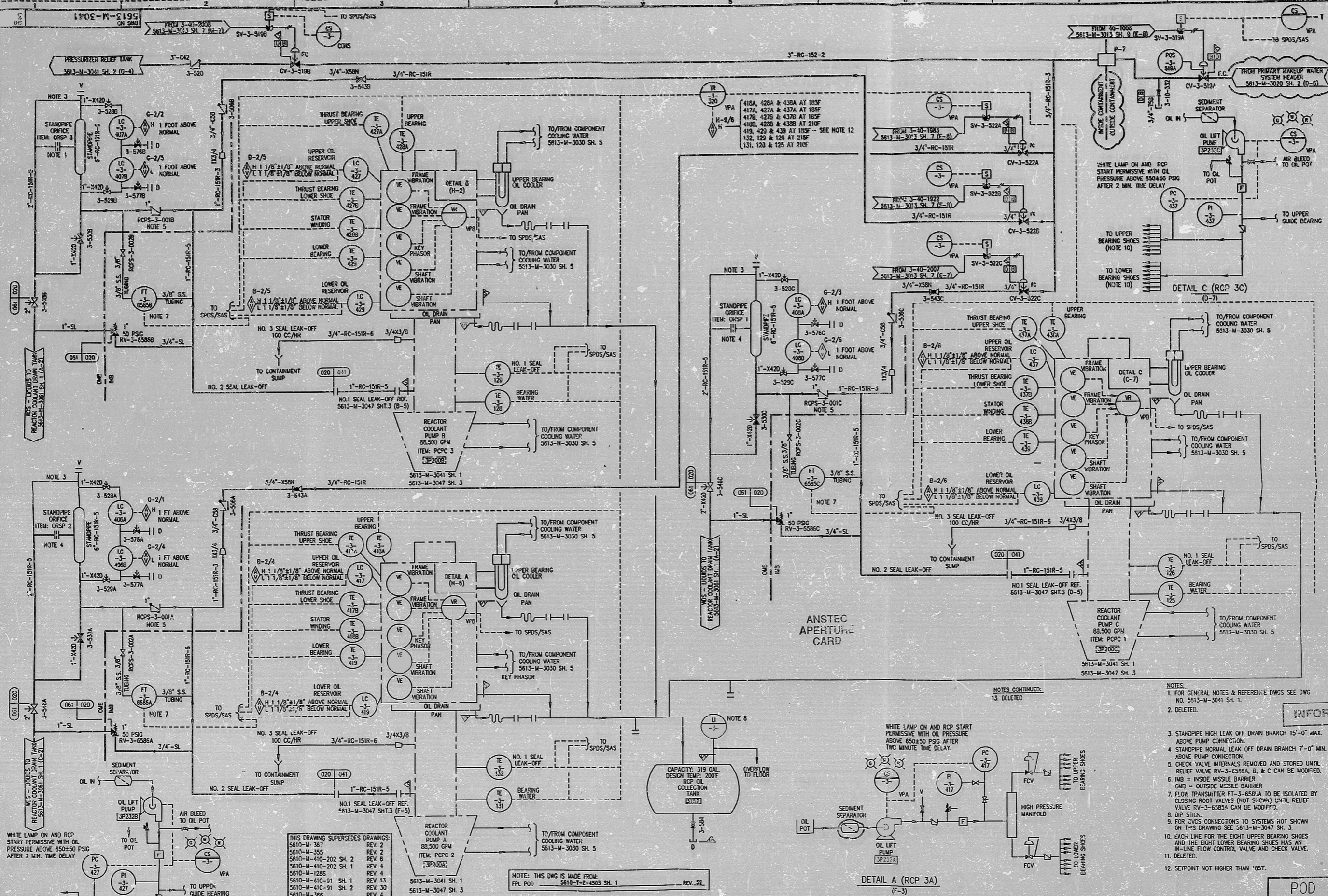


5613-M-3041 SH.3



ANSTEC APERTURE CARD

INFORMATION ONLY

- NOTES CONTINUED:  
13. DELETED
- NOTES:  
1. FOR GENERAL NOTES & REFERENCE DWGS SEE DWG NO. 5613-M-3041 SH. 1.  
2. DELETED.  
3. STANDPIPE HIGH LEAK OFF DRAIN BRANCH 15'-0" MAX. ABOVE PUMP CONNECTION.  
4. STANDPIPE NORMAL LEAK OFF DRAIN BRANCH 7'-0" MIN. ABOVE PUMP CONNECTION.  
5. CHECK VALVE INTERNALS REMOVED AND STORED UNTIL RELIEF VALVE RV-3-C586A, B, & C CAN BE MODIFIED.  
6. MBG = INSIDE MISSILE BARRIER  
OAB = OUTSIDE MISSILE BARRIER  
7. FLOW TRANSMITTER FT-3-6585A IS TO BE ISOLATED BY CLOSING ROOT VALVES (NOT SHOWN) UNTIL RELIEF VALVE RV-3-6585A CAN BE MODIFIED.  
8. DIP STICK.  
9. FOR CVCS CONNECTIONS TO SYSTEMS NOT SHOWN ON THIS DRAWING SEE 5613-M-3047 SH. 3.  
10. EACH LINE FOR THE EIGHT UPPER BEARING SHOES AND THE EIGHT LOWER BEARING SHOES HAS AN IN-LINE FLOW CONTROL VALVE AND CHECK VALVE.  
11. DELETED.  
12. SETPOINT NOT HIGHER THAN '85F.

THIS DRAWING SUPERSEDES DRAWINGS:  
5610-M-367 REV. 2  
5610-M-365 REV. 2  
5610-M-410-202 SH. 2 REV. 6  
5610-M-410-202 SH. 1 REV. 4  
5610-M-1288 REV. 4  
5610-M-410-91 SH. 1 REV. 13  
5610-M-410-91 SH. 2 REV. 30  
5610-M-366 REV. 4

NOTE: THIS DWG IS MADE FROM:  
FPL POD 5610-T-E-4503 SH. 1 REV. 52

REV	DATE	REVISION	BY	CHK	APP	APP	REV	DATE	REVISION	BY	CHK	APP	APP
10	05-14-93	ISSUED AS-BUILT FOR PC/M 93-020	RH	RV	ET	JCW	6	12-14-92	ISSUED AS-BUILT FOR PC/M 89-542	GFH	INITIALS ON FILE		
9	03-06-93	ISSUED AS-BUILT FOR DCR-TPM-93-075	BT	INITIALS ON FILE			12	2-25-94	ISSUED AS-BUILT FOR DCR-TPM-93-512	SMH	MD	LRK	JRH
8	02-17-93	ISSUED AS-BUILT FOR DCR-TPM-93-062 AND DRAFTING ERROR	BOT	QMM	LK	RH	11	9-20-93	ISSUED AS-BUILT FOR DCR-TPM-93-309	SM	MD	LRK	JRH
7	02-11-93	ISSUED AS-BUILT FOR PC/M'S 92-090, 90-232, 91-074, 92-063 AND PC/M 89-574.	SP	INITIALS ON FILE			0	2-19-91	THIS DWG CREATED PER THE P & ID RECONSTRUCTION PROJECT SCOPE AND ISSUED INTO THE FPL DWG SYSTEM PER DCR-TPM-91-043.	SM	MD	LRK	JRH

POD

TURKEY POINT NUCLEAR UNIT 3  
F&ID

REACTOR COOLANT SYSTEM  
REACTOR COOLANT PUMPS

STONE & WEBSTER ENGINEERING CORP.  
FT. LAUDERDALE, FLORIDA

DRAWING NUMBER: 5613-M-3041  
SHEET 3

SYS: 041  
REV: 12

CFM00122.DWG

\*9406080078

9406080078

PDR RIDS

