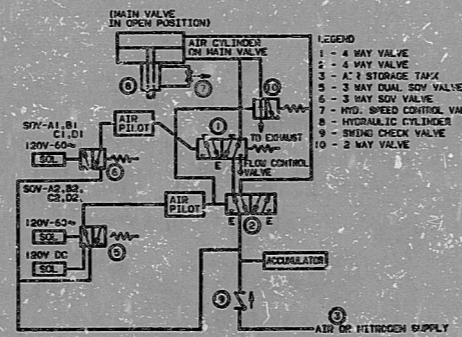
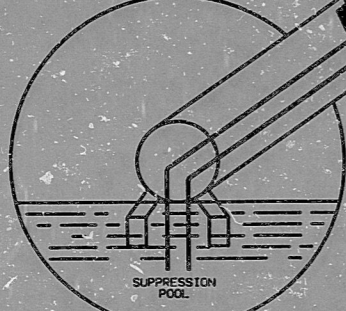
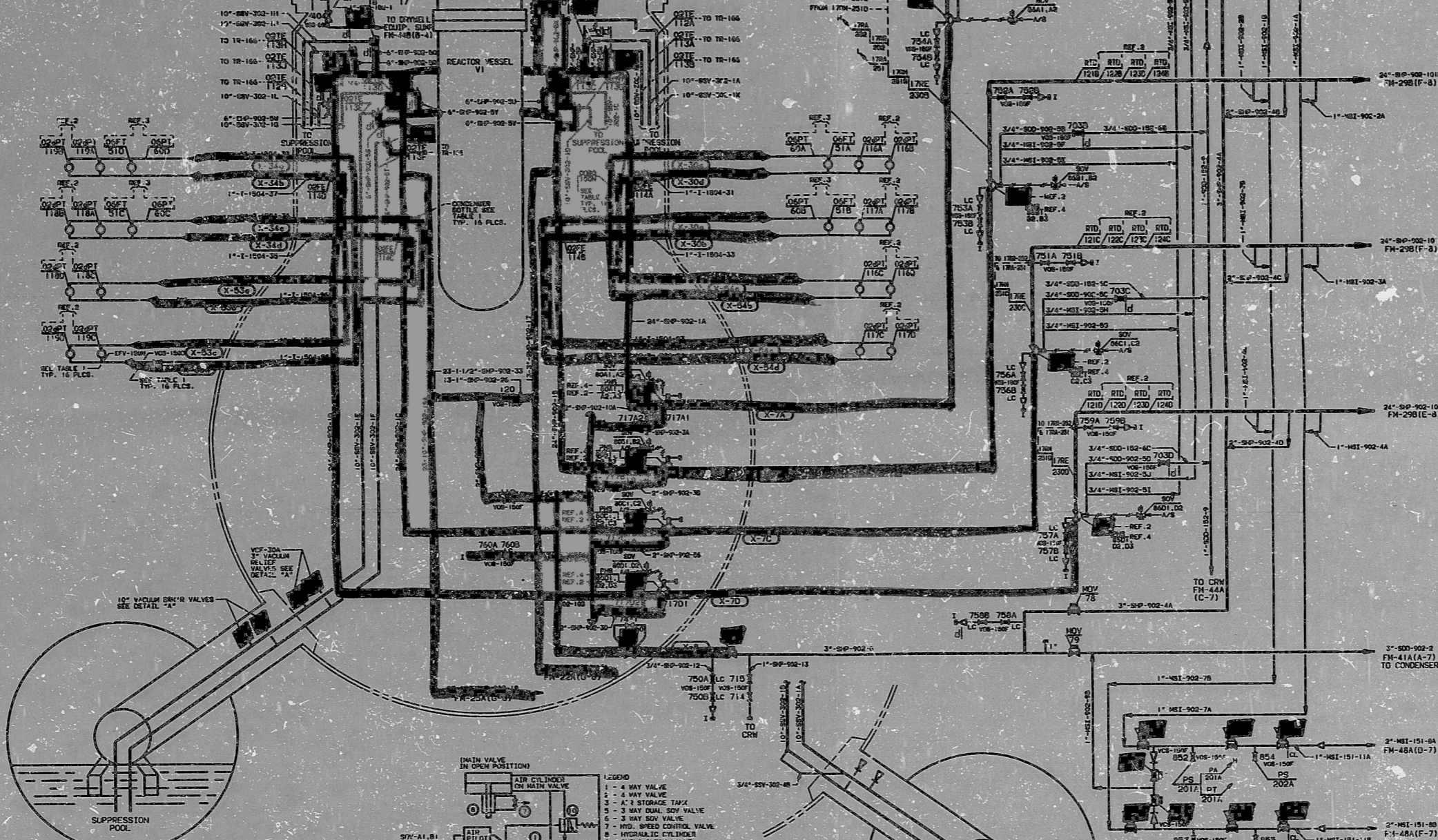


PIPE NUMBER	10" VACUUM BREAKER	3" VACUUM RELIEF VALVE
10"-SSV-302-1A		
10"-SSV-302-1B		
10"-SSV-302-1C		
10"-SSV-302-1D		
10"-SSV-302-1E		
10"-SSV-302-1F		
10"-SSV-302-1G		
10"-SSV-302-1H		
10"-SSV-302-1I		
10"-SSV-302-1J		
10"-SSV-302-1K		
10"-SSV-302-1L		

DETAIL "A"



LINE # (NOTE 5)	PENE.	COND. BOTTLE	R.O.	VOS-1500	R-Y
38	X-34a	02CCH-38	02HO-38	1034A	
91	X-34a	02CCH-91	02HO-91	1034A	
92	X-34a	02CCH-92	02HO-92	1034B	
93	X-34a	02CCH-93	02HO-93	1034C	
94	X-34a	02CCH-94	02HO-94	1034D	
95	X-34a	02CCH-95	02HO-95	1033A	
96	X-34a	02CCH-96	02HO-96	1033B	
97	X-34a	02CCH-97	02HO-97	1033C	
98	X-34a	02CCH-98	02HO-98	1033D	

TABLE I

- NOTES**
1. ALL COMPONENT MARK NUMBERS PREFIXED TO UNLESS OTHERWISE NOTED.
  2. ALL MANUAL VALVES PREFIXED HST UNLESS OTHERWISE NOTED.
  3. ALL TRF CONNECTIONS (T) ARE PIPING CLASS 1C-1A BEGINNING AT THE DOWNSTREAM SIDE OF THE REDUCER TO THE 3/8" FLW CONNECTION.
  4. HW DENOTES HOTLINE MANUAL.
  5. LINE NO. PREFIXED: 1"-I-15.34.
- REFERENCES:**
1. FLOW DIAGRAM SYMBOLS FM-14A.
  2. NUCLEAR BOILER (HST, SW-105) FUNCTIONAL CONTROL DIAGRAM, G.E. DWG. 730E14A-BAL-AR FILE 11825-16.04-20A(1) 11825-16.06-131.
  3. FEEDWATER CONTROL DIAGRAM G.E. DNG. 719E5963A(SM FILE 11825-15.05-1, 2, 4, 5).
  4. REACTOR PROTECTION SYSTEM, G.E. DNG. 72C2228A(SM FILE 11825-15.05-1, 2, 4, 5).
  5. REACTOR WATER CLEANUP SYSTEM FM-24A.

OPD-18	FM-29B
OPD-20	FM-48A
OPD-15A	FM-25A
OPD-19A	FM-22A

**UNCONTROLLED DRAWING**

Copy Date 5/11/92 STJ

Caution - Extended use of this drawing copy may result in its inaccuracy due to subsequent design changes and drawing updates.

- 1ST COMPONT
- CLASS 1
- CLASS 2
- CLASS 3

THE ORIGINAL TRACING FOR THIS DRAWING WAS PREPARED BY: STONE & WEBSTER CORP.

A RECORD OF THE ORIGINAL DOCUMENT WITH APPROVAL, INITIALS, SIGNATURES AND DATE OF REVISIONS IS MAINTAINED IN THE FILES OF THE POLAR PROJECT IN CONNECTION WITH THIS DRAWING.

THIS DOCUMENT WAS ELECTRONICALLY STORED AT REVISION: 16

9206150393

SI APERTURE CARD

NO.	DATE	DESCRIPTION	BY	CHKD	APP'D
20	11/81	AS-BUILT PER DCR-SP-81-017			
27	11/81	AS-BUILT PER HES-AB-81-01-100, 022-01-100 & HES-AB-81-91-119			
28	11/81	AS-BUILT PER HES-AB-81-01-100, 022-01-100 & HES-AB-81-91-119			
29	11/81	AS-BUILT PER DCR-SP-81-013			
34	11/81	AS-BUILT PER DCR-SP-81-016			
35	11/81	AS-BUILT PER DCR-SP-81-017			

QA CAT. I, II, III

NUCLEAR SAFETY RELATED

DESIGNER: JAMES A. FITZPATRICK

NUCLEAR POWER PLANT

DISCIPLINE: MECHANICAL

FLOW DIAGRAM MAIN STEAM SYSTEM 29

DATE: 11/81

New York Power Authority

SCALE: NONE

DWG NO: 11825-FM-29A

REV: 28

DATE: 04/11/92

PDR RIDS

9206150393

