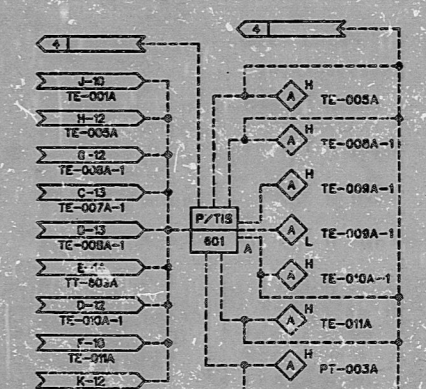


- NOTES:**
- PIPING BETWEEN THE PCV AND RECONDENSER SHALL HAVE THE SLOPE AS FOLLOWS:  
 A. FROM DRYWELL TO RECONDENSER, PIPING SHALL HAVE UP-SLOPE MORE THAN 1/100.  
 B. FROM RECONDENSER TO SUPPRESSION POOL, PIPING SHALL HAVE DOWN-SLOPE MORE THAN 1/100.
  - TEMPERATURE ELEMENTS TEO10 SHALL BE INSERTED IN THERMAL WELLS AND TEO09 SHALL BE ON THE SURFACE.
  - LEAN PIPING WITH MOUNTED U-SHAPE LOOP SEAL (TRAP) SHALL HAVE HEIGHTS AS FOLLOWS:  
 10A FO13AB) 150A DOORHUB-FO03AB) 20A FO14AB)  
 7.5m BWD 1.0m BWD
  - RMS OPEN SIGNAL SHALL OVERRIDE AUTOMATIC CLOSING SIGNALS.
  - THE DESIGN SPECIFICATIONS AS FOLLOWS SHALL BE APPLIED UNLESS OTHERWISE NOTED.

ITEM	APPLICABLE
DESIGN PRESSURE (kg/cm <sup>2</sup> )	3.16
DESIGN TEMPERATURE (°C)	171
PIPE MATERIAL	S3 STAINLESS STEEL
PIPE WALL MATERIAL	C3 CARBON STEEL
PIPE WALL THICKNESS	0.5A AND OVER SCH 40
PIPE WALL THICKNESS	0.5A AND LESS SCH 80
FLUID SERVICE CATEGORY	A

- ISOLATION VALVES MO-F001AB) AND F003AB) MUST HAVE STEM EXTENSIONS TO PLACE MANUAL HANDWHEELS OUTSIDE PIPE SPACE SHIELD WALLS.

- REFERENCE DOCUMENTS:**
- | NO. | DESCRIPTION                           | MPL. NO. |
|-----|---------------------------------------|----------|
| 1.  | PIPING AND INSTRUMENT SYMBOLS DIAGRAM | A10-3030 |
| 2.  | RHR SYSTEM P&ID                       | E11-1010 |
| 3.  | MAKEUP WATER SYSTEM PURIFIED P&ID     | P11-1010 |
| 4.  | FLAMMABLE CONTROL SYSTEM I&D          | T49-1030 |
| 5.  | RHR SYSTEM I&D                        | E11-1030 |
| 6.  | LEAK DETECTION & ISOLATION SYSTEM I&D | E31-1030 |



**FIG. 6.2-40**  
MPL. NO. T49-1010

**SI APERTURE CARD**

APPROVED FOR CONSTRUCTION		DATE	
DESIGNED BY	DATE	DESIGNED BY	DATE
CHECKED BY	DATE	CHECKED BY	DATE
APPROVED BY	DATE	APPROVED BY	DATE
PROJECT NO. 107E6047		REV. 0	
DRAWING NO. 107E6047		REV. 0	
DATE 3/1/93		REV. 0	
DRAWN BY 5227		REV. 0	

AP-8102580

9202260341

PDR RIDS

