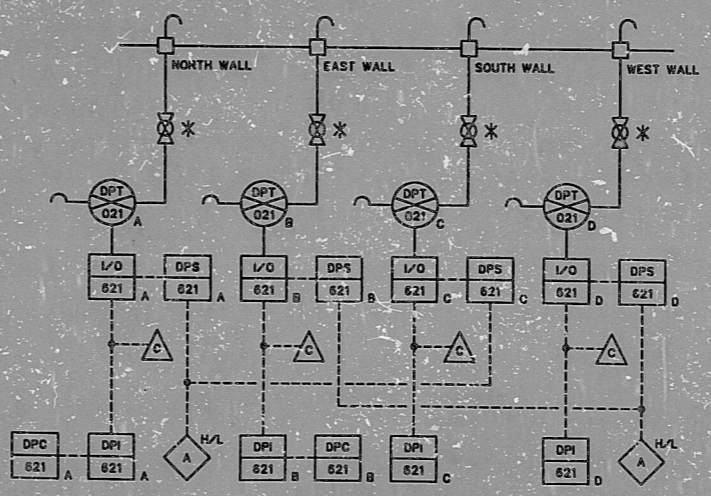


- NOTES:**
- QUALITY CLASS, DESIGN CLASS AND SEISMIC CLASS AS FOLLOWS:
 

	QUALITY CLASS	DESIGN CLASS	SEISMIC CLASS
SGTS EXCEPT FOR FOLLOWING	C	4	B
PIPING AND TRIM	B	5	B
DRAIN LINE FROM DRAIN VALVE	B	7	B
  - PIPING DESIGN SPECIFICATION SHALL BE AS FOLLOWS EXCEPT AS NOTED:  
 MATERIAL: GALVANIZED STEEL  
 SCHEDULE: 80A AND LESS - SCH 80  
 GREATER THAN 80A - SCH 40  
 FLUID: AIR 24.14 kg/cm<sup>2</sup> g, 120 °C
  - FRESH GRIJ INJECTION POINT IS LOCATED UPSTREAM OF CHARCOAL ADSORBER.
  - SAMPLE CANISTERS ARE PROVIDED FOR MONITORING CHARCOAL ADSORBER CONDITION.
  - CHARCOAL ADSORBER TEMPERATURE SHOULD BE MONITORED CONTINUOUSLY.
  - SPACE HEATERS ARE OPERATED DURING SGTS STANDBY MODE TO PREVENT CHARCOAL ADSORBER REACHING THE DUE POINT.
  - FILTER IS HEXAMESH IS PROVIDED TO REMOVE FOREIGN OBJECTS.
  - FLOW ELEMENT IS ANNULAR-TYPE.
  - STOP VALVES SHALL NOT BE FLANGE TYPE.
  - MANUAL INITIATION OF SGTS AND ISOLATION OF HVAC OCCURS WHEN SPENT FUEL STORAGE POOL LOW LEVEL ALARMS.

**REFERENCE DOCUMENTS:**

REF. NO.	MPL NO.
1. ATMOSPHERIC CONTROL SYS PAID	T31-1010
2. MAKEUP WATER SYSTEM (PURIFIED) PAID	P11-1010
3. PROCESS AND MONITOR SYS ID	D11-1040
4. PIPING AND INSTRUMENT SYMBOL DIAGRAM	A10-3030
5. FUEL POOL COOLING & CLEANUP SYS PAID	G41-1010
6. LEAK DETECTION & ISOLATION SYS ID	E31-1040
7. HEATING, VENTILATING AND AIR CONDITIONING SYS PAID	U41-1010



**SI APERTURE CARD**

MPL NO. 10756046

SIGNATURES		DATE		REVISION	
WS FORRES	WS FORRES	14	81	1	0
WS FORRES	WS FORRES				
WS FORRES	WS FORRES				
WS FORRES	WS FORRES				

SAFETY RELATED: YES / NO  
 THIS ITEM IS OR CONTAINS A SAFETY RELATED ITEM: YES / NO  
 NUCLEAR SAFETY RELATED: YES / NO  
 GENERAL ELECTRIC COMPANY, San Jose, CA  
 DOC TYPE: PAID  
 STANDBY GAS TREATMENT SYSTEM  
 UNLESS OTHERWISE SPECIFIED: TOLERANCES ON: 2 PLACE DECIMALS ±, 3 PLACE DECIMALS ±, ANGLES ±  
 DWG 5226, 10756046, 10756046, 0, 0, 2, 2  
 AP-81024R0 1

FIG. 6.5-1

PDR RIDS

9202260311

