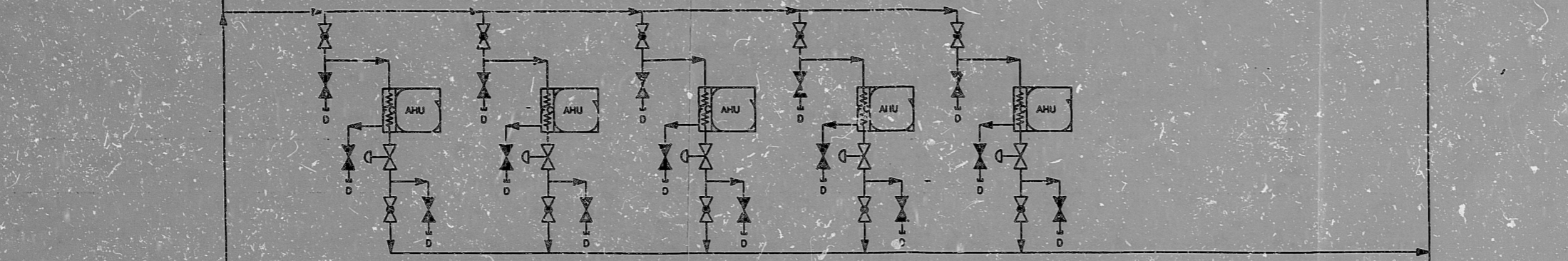


F413-07-15  
4248-00-1607.00

NORMAL LOADS  
DIVISION II SUPPLY  
F413-07-16  
NC 8-2

NORMAL LOADS  
DIVISION II RETURN  
F413-07-16  
NC 8-9



OPERATIONS  
SUPPORT  
CENTER

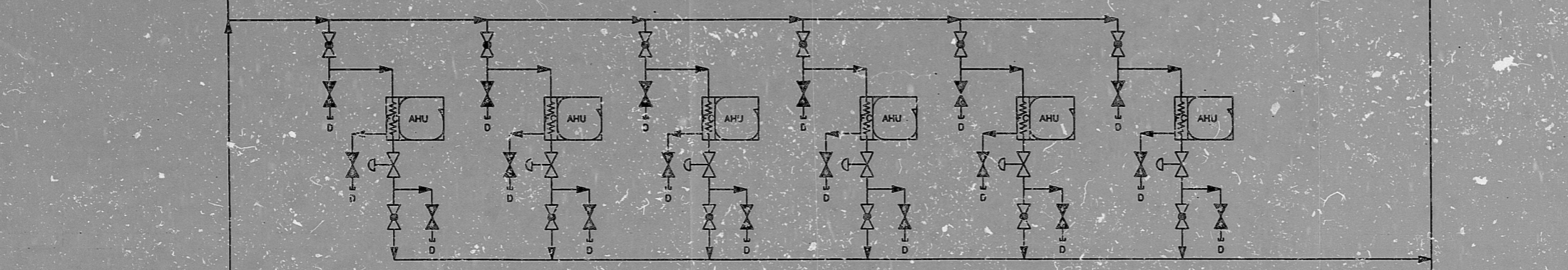
SUBSPHERE  
SUPPLY  
DIVISION II  
AHU

ACCESS  
AREA

ACCESS  
AREA

NUCLEAR ANNEX  
SUPPLY  
DIVISION II  
AHU

ELEV. 130'-6



PERSONNEL  
DECONTAMINATION  
ROOM

PERSONNEL  
DECONTAMINATION  
ROOM

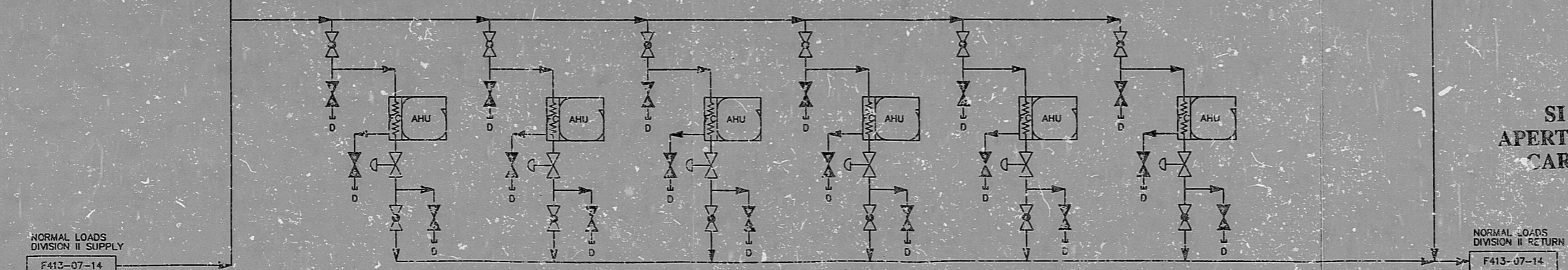
BREAK  
ROOM

HOT  
TOOL  
CRIB

SHIFT  
ASSEMBLY  
ROOM

ACCESS  
AREA

ELEV. 115'-6



RADIATION  
ACCESS  
CONTROL  
ROOM

NON-ESSENTIAL  
ELECTRICAL ROOM  
N2  
EAST

NON-ESSENTIAL  
ELECTRICAL ROOM  
N2  
EAST

NON-ESSENTIAL  
ELECTRICAL ROOM  
N2  
WEST

NON-ESSENTIAL  
ELECTRICAL ROOM  
N2  
WEST

ACCESS  
AREA

ELEV. 91'-9

DIVISION II  
NORMAL CHILLED WATER SYSTEM

NORMAL LOADS  
DIVISION II SUPPLY  
F413-07-14  
NC J-1

NORMAL LOADS  
DIVISION II RETURN  
F413-07-14  
NC J-11

SI  
APERTURE  
CARD

NOTES:  
1. ALL PIPING AND COMPONENTS  
ARE SAFETY CLASS 4.  
  
CAI 410-113


PRELIMINARY

ABB COMBUSTION ENG.  
NUCLEAR POWER  
COMBUSTION ENGINEERING, INC.  
U.S. DEPARTMENT OF ENERGY  
SYSTEM 80+<sup>TM</sup>  
DESIGN CERTIFICATION  
DRAWING TITLE  
  
FLOW DIAGRAM  
CHILLED WATER  
SYSTEM  
DRAWING NO. 4248-00-1607.00 PFV  
F413-07-15  
SCALE: NONE

9202060401

PDR RIDS

9202060401

