

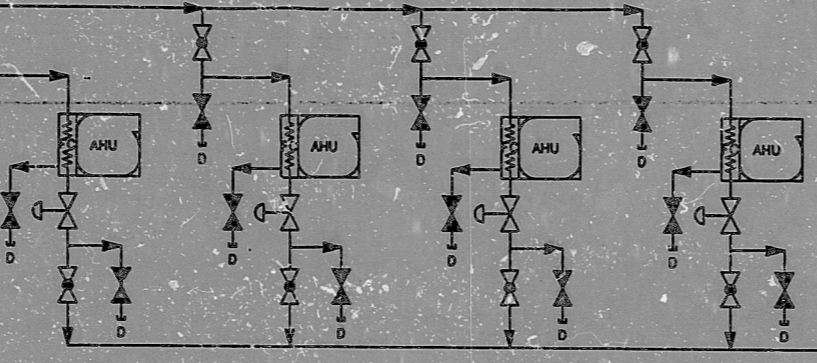
4248-00-1807.00  
F413-07-07  
EC

ESSENTIAL LOADS  
DIVISION II SUPPLY  
F413-07-08  
EC B-2

ESSENTIAL LOADS  
DIVISION II SUPPLY  
F413-07-06  
EC J-1

ESSENTIAL LOADS  
DIVISION II RETURN  
F413-07-09  
EC B-9

ESSENTIAL LOADS  
DIVISION II RETURN  
F413-07-05  
EC J-11



PENETRATION ROOM B PENETRATION ROOM B PENETRATION ROOM D PENETRATION ROOM D

FUEL POOL  
HEAT EXCHANGER  
ROOM

ELEV. 91+9

DIVISION II  
ESSENTIAL CHILLED WATER SYSTEM

SI  
APERTURE  
CARD

NOTES:

1. ENTIRE DRAWING IS SAFETY CLASS 3, EXCEPT PIPING DOWNSTREAM OF DRAIN ISOLATION VALVES IS SAFETY CLASS 4.

RAI 410.113

Revision table with columns for REV, DATE, DESCRIPTION, and DRAWN BY.

SEAL

ABB COMBUSTION ENG.  
NUCLEAR POWER  
COMBUSTION ENGINEERING, INC.  
U.S. DEPARTMENT OF ENERGY  
SYSTEM 80+  
DESIGN CERTIFICATION  
DRAWING TITLE  
FLOW DIAGRAM  
CHILLED WATER  
SYSTEM  
DRAWING NO. 4248-00-1807.00 REV  
F413-07-07  
SCALE: NONE

9202060360



PDR RIDS

9202060360

