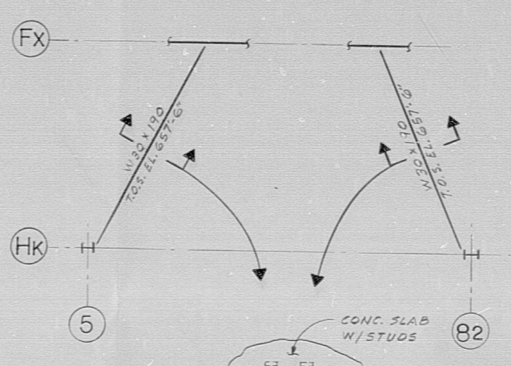
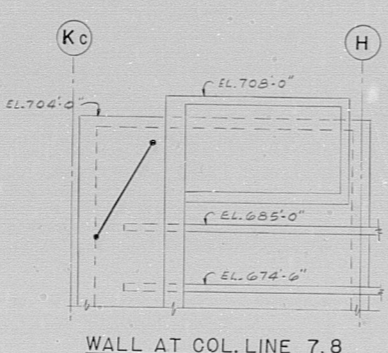
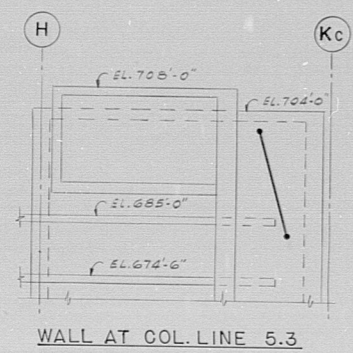
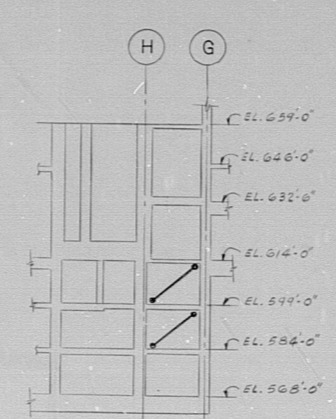
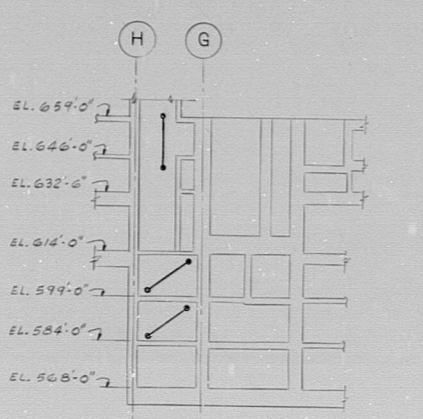
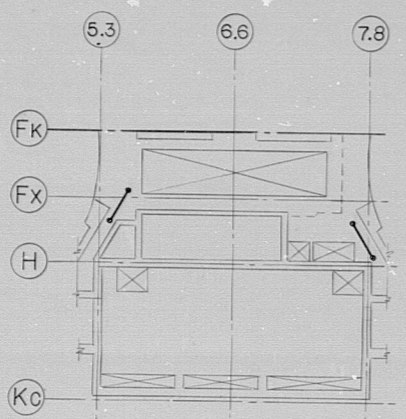


NOTES

- FOR GENERAL NOTES SEE DWG. C-1490 & C-1491.
- THE REFERENCE DIMENSION, WHICH SHALL BE DETERMINED FOR EACH STRAIN GAUGE ASSEMBLY, SHALL BE RECORDED ON SH. B-10 OF APPENDIX E OR SPEC. 7220-C-198 FOR EACH CONCRETE AREA BEING MONITORED.



CONC. SLAB W/STUDS

STRAIN GAUGE IS MICRO MEASUREMENT EA-06-2807C-2807T ELEMENT GAGE. BOND TO STEEL USING ADHESIVE ELN-EPY150 SQUARE TERMINAL CIG 1500 WATER PROOF ENTIRE INSTALLATION USING MICRO MEASUREMENT 3145 RTV.

PRC APERTURE CARD

FOR INFORMATION ONLY

REFERENCE DRAWINGS

- A-14 TURBINE BLDG - F.L.E.L. 694'-0" (E AREA)
- C-554 TURBINE BLDG-UNIT 1 & 2 STEEL STL F.L.E.L. 676'-0"
- C-747 TURBINE BLDG-UNIT 2 STEEL STL F.L.E.L. 695'-0"
- C-1493 AUX. BLDG & PLAN INSTRUMENTATION SYSTEM MONITORING MATRIX.

Q-LIST

C-195 TECHNICAL SPEC FOR MONITORING INSTRUMENTATION

FOR INFORMATION ONLY			
NO.	DATE	REVISIONS	BY
1	10-03-03	ISSUED FOR REVIEW	JPC TD
2			
3			

**BECHTEL**  
ANN ARBOR, MICHIGAN

MIDLAND PLANT UNITS 1 & 2  
CONSUMERS POWER COMPANY  
AUXILIARY BUILDING UNDERPINNING  
INSTRUMENTATION-EL. 695'-0 5/16"  
FOR BLDG SETTLEMENT MONITORING

JOB No.	DRAWING No.	REV.
7220	C-1495 (Q)	A

This drawing and the design it covers are the property of BECHTEL. They are merely loaned and on the borrower's express agreement that they will not be reproduced, copied, loaned, exhibited, or used except in the limited way and private use permitted by any written consent given by the lender to the borrower.

34"  
22"  
17"  
11"  
8.5"  
34"  
22"  
17"  
11"  
8.5"

H  
G  
F  
E  
D  
C  
B  
A

RIDS

8204130341

