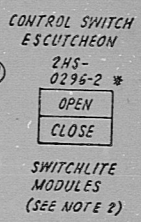
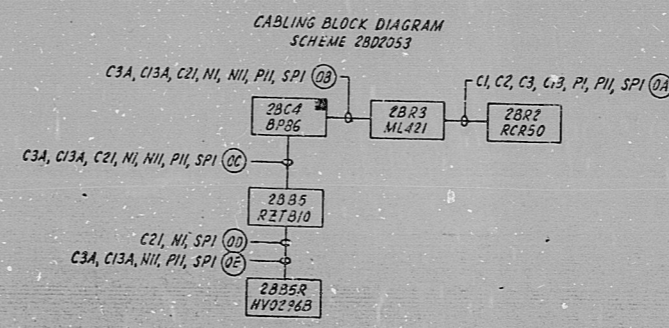
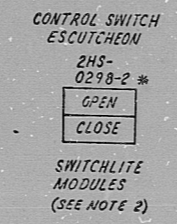
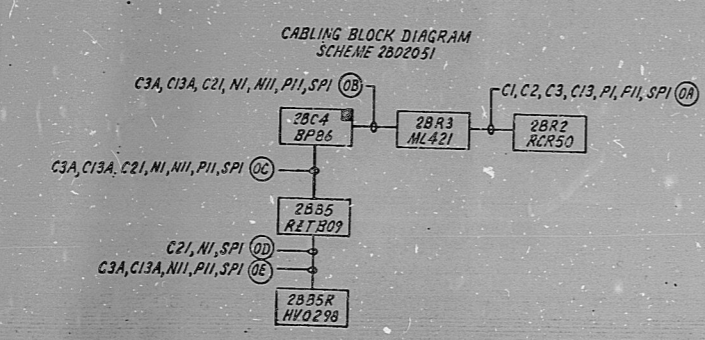
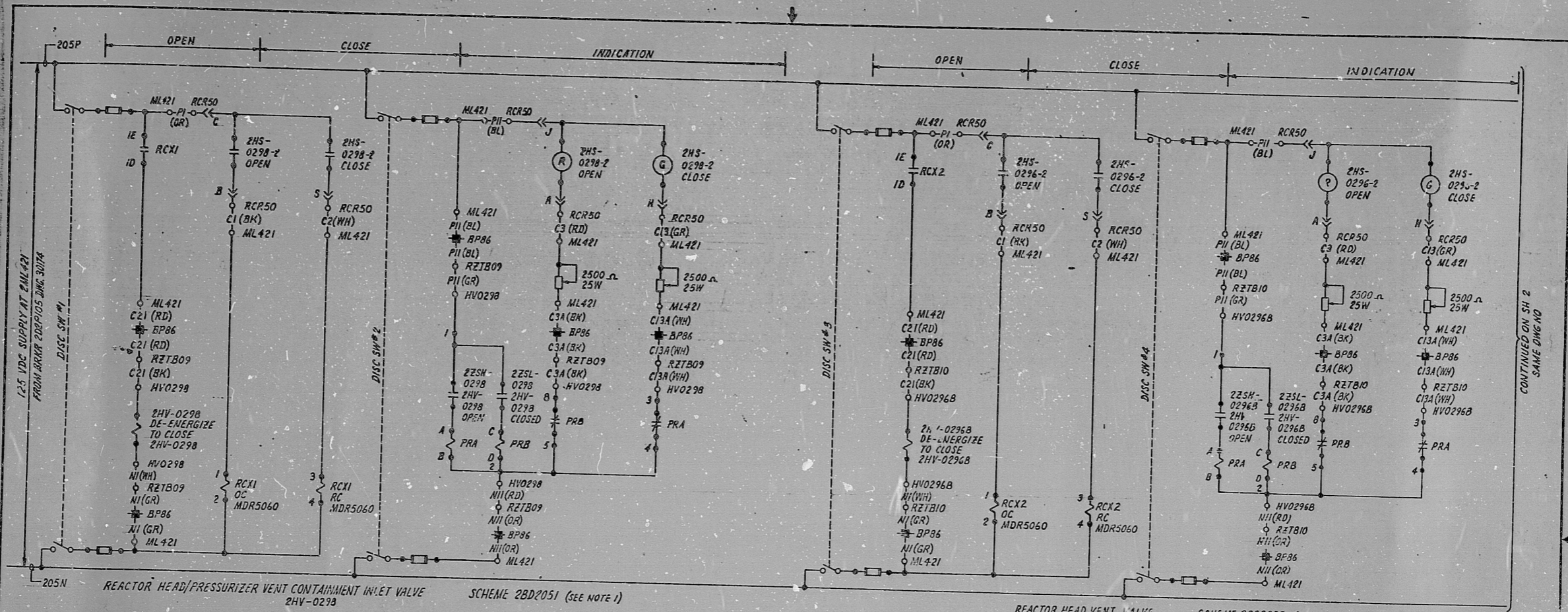


24X



- NOTES:
1. REFER TO CABLING BLOCK DIAGRAM FOR COMPLETE EQUIPMENT LOCATION DESIGNATIONS.
 2. REFER TO DATA SHEETS AND VENDOR DRAWINGS FOR ACTUAL SWITCH AND INDICATOR LIGHT LEGEND ENGRAVING AND MODULE WIRING.
 3. FOR ELECTRICAL NUMBERING SYSTEM, EQUIPMENT LOCATION NUMBERS, DEVICE FUNCTION NUMBERS, ABBREVIATIONS, SYMBOLS, ETC., SEE DRAWINGS 3005, 3003 AND 30200.
 4. * INDICATES SWITCH IS FURNISHED WITH HINGED TRANSPARENT SWITCH GUARD.

LOAD GROUP B
NUCLEAR SAFETY RELATED

BECHTEL CORPORATION ENGINEERS & CONSTRUCTORS LOS ANGELES, CALIF.		
JOB NO. 10077-003	DATE APPROVED	
DWG. NO.	REFERENCE DRAWINGS	



ISSUED FOR CONSTRUCTION PER TEND 1892-823 4-15-80					J.O. NO.		SAN ONOFRE NUCLEAR GENERATING STATION	
NO.	REVISIONS	DATE	DR.	CHK.	EGS.	CHP.E.	P.E.	G.A.C.

UNIT 2	
ELEMENTARY DIAGRAM REACTOR-REACTOR HEAD & PRESSURIZER HEAD VENT VALVES	
SOUTHERN CALIFORNIA EDISON COMPANY SCALE 1/8"=1'-0" LOS ANGELES, CALIF.	
BBA, BBB	30583 SH.1 REV. 0



I CERTIFY THAT THE IMAGE CONTAINED ON THIS FRAME WAS MADE IN THE NORMAL AND REGULAR COURSE OF BUSINESS ON THE DATE STATED BELOW AND THAT IT IS AN ACCURATE REPRODUCTION OF THE DOCUMENT SUBMITTED TO MICROFILM.

DATE: 11-20-80
CAMERA OPERATOR: [Signature]
SECTION SUPERVISOR: [Signature]

TERA
APERTURE
CARD

8102040605

RIDS

8102040605

