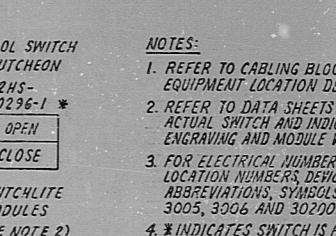
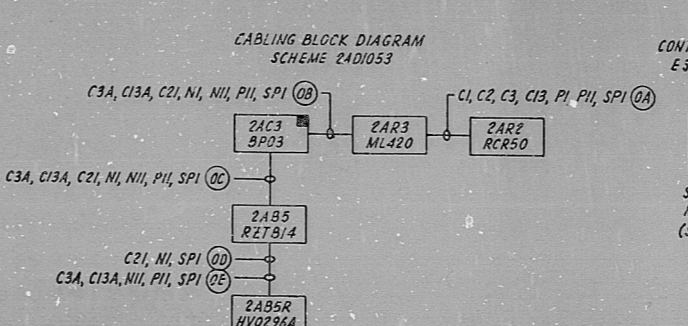
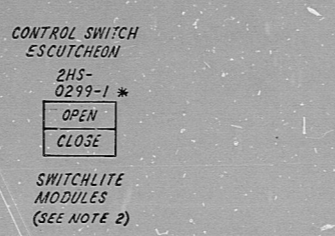
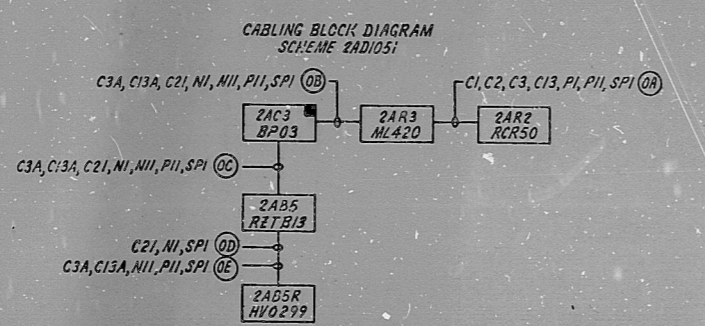
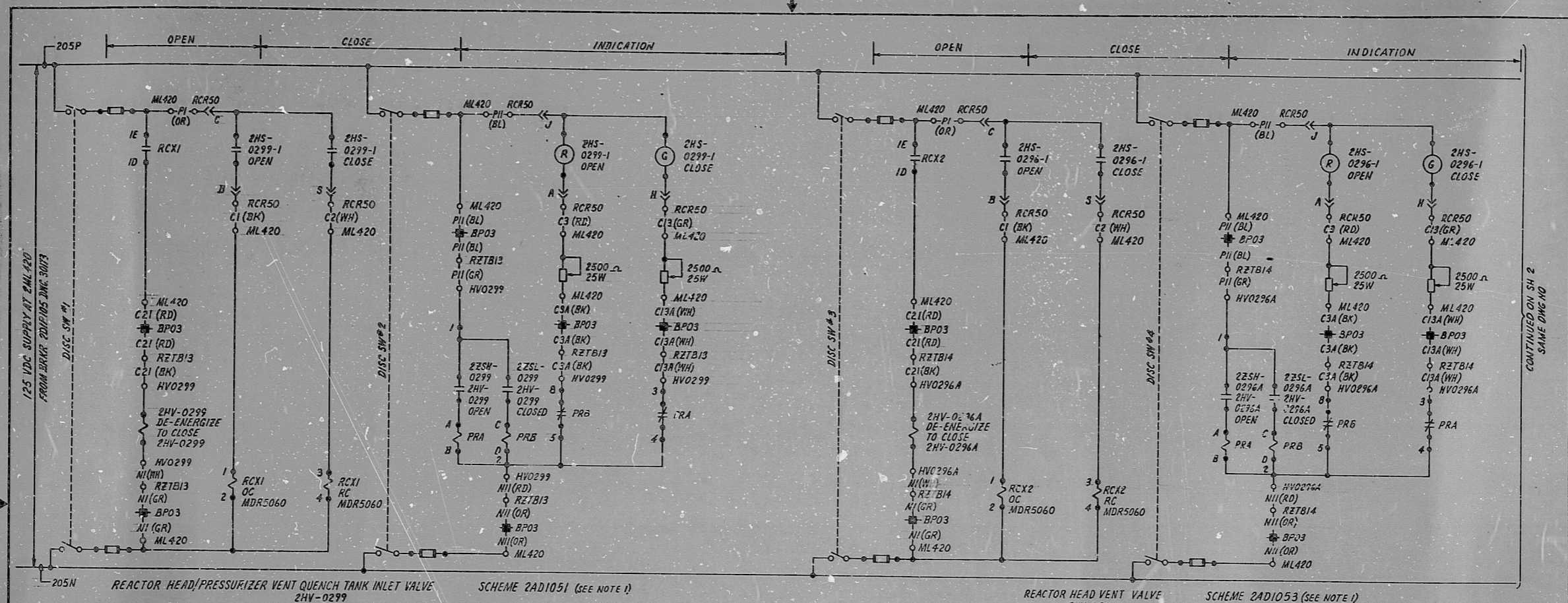


24X



- NOTES:**
1. REFER TO CABLING BLOCK DIAGRAM FOR COMPLETE EQUIPMENT LOCATION DESIGNATIONS.
 2. REFER TO DATA SHEETS AND VENDOR DRAWINGS FOR ACTUAL SWITCH AND INDICATOR LIGHT LEGEND ENGRAVING AND MODULE WIRING.
 3. FOR ELECTRICAL NUMBERING SYSTEM, EQUIPMENT LOCATION NUMBERS, DEVICE FUNCTION NUMBERS, ABBREVIATIONS, SYMBOLS, ETC., SEE DRAWINGS 3005, 3006 AND 30200.
 4. * INDICATES SWITCH IS FURNISHED WITH HINGED-TRANSPARENT SWITCH GUARD.

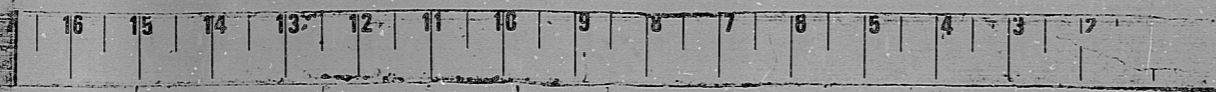
LOAD GROUP A
NUCLEAR SAFETY RELATED

BECHTEL CORPORATION ENGINEERS & CONSTRUCTORS LOS ANGELES, CALIF.		
JOB NO. 10079-003	DATE	APPROVED
DWG. NO.	REFERENCE DRAWINGS	



ISSUED FOR CONSTRUCTION PER TENDR 1692-B23				DATE	DR.	CHK.	EGS.	CHK. E.	P.E.	Q.A.E.
REVISIONS				DATE	DR.	CHK.	EGS.	CHK. E.	P.E.	Q.A.E.

UNIT 2	
J.O. NO.	SAN ONOFRE NUCLEAR GENERATING STATION
FILE	ELEMENTARY DIAGRAM REACTOR-REACTOR HEAD & PRESSURIZER HEAD VENT VALVES
SOUTHERN CALIFORNIA EDISON COMPANY SCALE NONE LOS ANGELES, CALIF.	
BBA, BBB	30582 SH.1 REV. 0



I CERTIFY THAT THE IMAGE CONTAINED ON THIS FRAME WAS MADE IN THE NORMAL AND REGULAR COURSE OF BUSINESS, ON THE DATE STATED BELOW AND THAT IT IS AN ACCURATE REPRODUCTION OF THE DOCUMENT SUBMITTED TO MICROFILMANCE.

DATE: 12-20-80
CAMERA OPERATOR: [Signature]
SECTION SUPERVISOR: [Signature]

TERA
APERTURE
CARD

RTDS-PDR

8102040596

