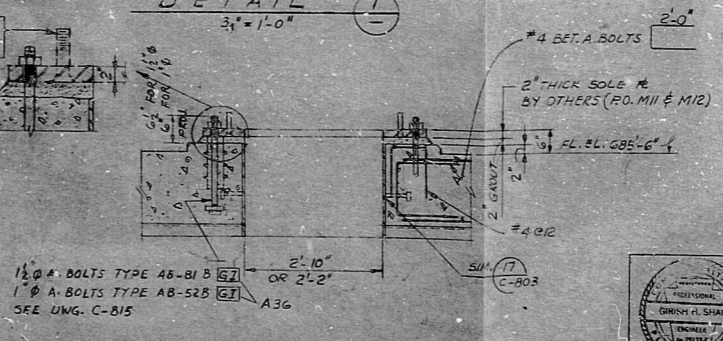
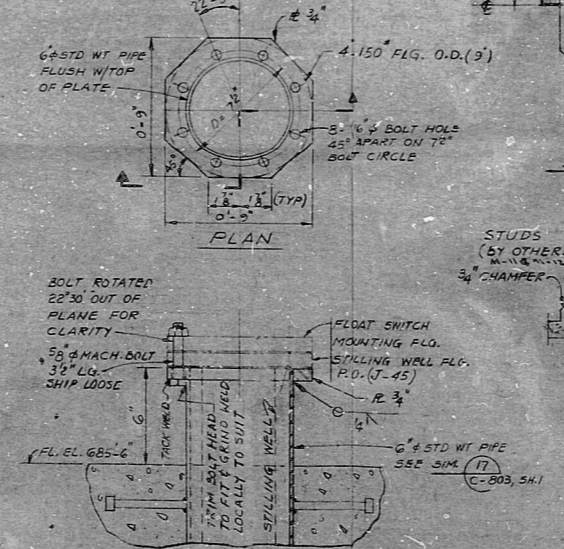
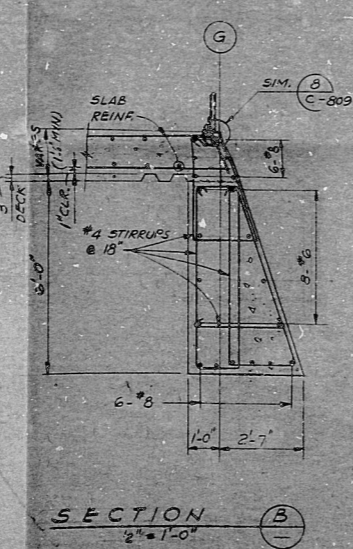
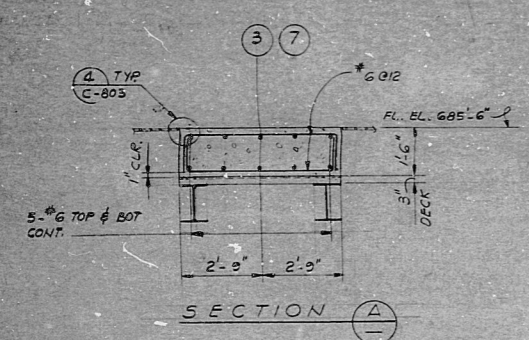
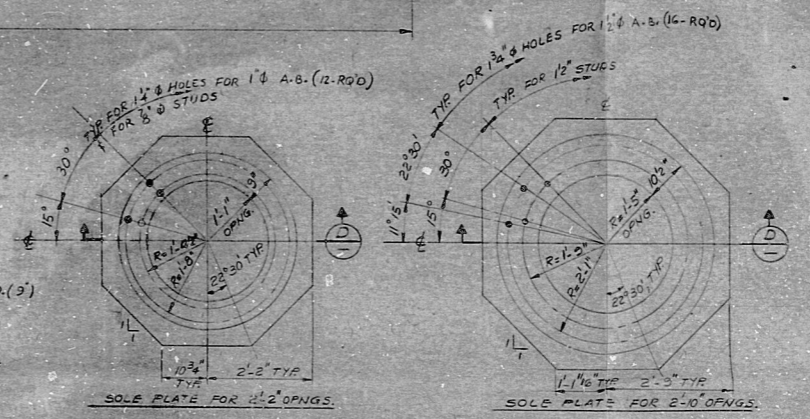


- NOTES:**
1. THIS IS A CLASS I STRUCTURE (a)
 2. FOR GENERAL NOTES & REFERENCE DRAWINGS SEE DWG. C-731.
 3. ALLOWABLE FLOOR LIVE LOADS
CONCRETE FLOOR 250 PSF
GRATING FLOOR 200 PSF
 4. METAL DECKING IS 3" X 18" GA. FOR FRAMING & DETAILS SEE DWG. C-792 & C-793. FOR DECK SUPPORT DETAILS SEE DWG. C-806. METAL DECK TO STRUCTURAL STEEL SUPPORTS SHALL BE CONNECTED BY ADEQUATE BUDDLE WELDS FOR STRUCTURAL STABILITY.
 5. ALL MISCELLANEOUS STEEL SHOWN ON THIS DRAWING TO BE GALVANIZED PER SPECIFICATION 885-C-16.
 6. FOR WALL DOWELS DETAIL SEE DWGS. C-789, C-790, C-797 & C-798.
 7. PRIOR TO CONSTRUCTION FIELD SHALL LOCATE OPENINGS AND EMBEDDED PIPING FROM MECHANICAL DRAWINGS AND EMBEDDED CONDUITS FROM ELECTRICAL DRAWINGS.
 8. FOR ADDITIONAL PENETRATIONS SEE PLANT DESIGN-X-SERIES DRAWINGS.
 9. CONCRETE TO BE CLASS 5F IN ACCORDANCE WITH NOTE IS ON DRAWING C-791.
 10. REBAR TO BE PURCHASED UNDER P.O. C-10.
 11. CONCRETE COVER TO REBAR TO BE 2 INCHES MINIMUM U.N.O.
 12. MAXIMUM WIDTH OF REMOVABLE GRATING PANEL IS 3'-0".

PLAN @ EL. 685'-6" U.N.O.
1/4" = 1'-0"



REFERENCE DWG'S.	REVISIONS
C-789	1. REVISED
C-790	1. REVISED
C-791	1. REVISED
C-792	1. REVISED
C-793	1. REVISED
C-794	1. REVISED
C-797	1. REVISED
C-798	1. REVISED
C-801	1. REVISED

NO.	DATE	DESCRIPTION	BY	CHKD.
1	10/20/56	ISSUED FOR CONSTRUCTION	J.M.	J.M.
2	11/15/56	REVISED PER FIELD CHANGES	J.M.	J.M.
3	12/10/56	REVISED PER FIELD CHANGES	J.M.	J.M.
4	1/10/57	REVISED PER FIELD CHANGES	J.M.	J.M.
5	2/10/57	REVISED PER FIELD CHANGES	J.M.	J.M.
6	3/10/57	REVISED PER FIELD CHANGES	J.M.	J.M.
7	4/10/57	REVISED PER FIELD CHANGES	J.M.	J.M.
8	5/10/57	REVISED PER FIELD CHANGES	J.M.	J.M.
9	6/10/57	REVISED PER FIELD CHANGES	J.M.	J.M.
10	7/10/57	REVISED PER FIELD CHANGES	J.M.	J.M.
11	8/10/57	REVISED PER FIELD CHANGES	J.M.	J.M.
12	9/10/57	REVISED PER FIELD CHANGES	J.M.	J.M.
13	10/10/57	REVISED PER FIELD CHANGES	J.M.	J.M.
14	11/10/57	REVISED PER FIELD CHANGES	J.M.	J.M.
15	12/10/57	REVISED PER FIELD CHANGES	J.M.	J.M.
16	1/10/58	REVISED PER FIELD CHANGES	J.M.	J.M.
17	2/10/58	REVISED PER FIELD CHANGES	J.M.	J.M.
18	3/10/58	REVISED PER FIELD CHANGES	J.M.	J.M.
19	4/10/58	REVISED PER FIELD CHANGES	J.M.	J.M.
20	5/10/58	REVISED PER FIELD CHANGES	J.M.	J.M.
21	6/10/58	REVISED PER FIELD CHANGES	J.M.	J.M.
22	7/10/58	REVISED PER FIELD CHANGES	J.M.	J.M.
23	8/10/58	REVISED PER FIELD CHANGES	J.M.	J.M.
24	9/10/58	REVISED PER FIELD CHANGES	J.M.	J.M.
25	10/10/58	REVISED PER FIELD CHANGES	J.M.	J.M.
26	11/10/58	REVISED PER FIELD CHANGES	J.M.	J.M.
27	12/10/58	REVISED PER FIELD CHANGES	J.M.	J.M.
28	1/10/59	REVISED PER FIELD CHANGES	J.M.	J.M.
29	2/10/59	REVISED PER FIELD CHANGES	J.M.	J.M.
30	3/10/59	REVISED PER FIELD CHANGES	J.M.	J.M.
31	4/10/59	REVISED PER FIELD CHANGES	J.M.	J.M.
32	5/10/59	REVISED PER FIELD CHANGES	J.M.	J.M.
33	6/10/59	REVISED PER FIELD CHANGES	J.M.	J.M.
34	7/10/59	REVISED PER FIELD CHANGES	J.M.	J.M.
35	8/10/59	REVISED PER FIELD CHANGES	J.M.	J.M.
36	9/10/59	REVISED PER FIELD CHANGES	J.M.	J.M.
37	10/10/59	REVISED PER FIELD CHANGES	J.M.	J.M.
38	11/10/59	REVISED PER FIELD CHANGES	J.M.	J.M.
39	12/10/59	REVISED PER FIELD CHANGES	J.M.	J.M.
40	1/10/60	REVISED PER FIELD CHANGES	J.M.	J.M.
41	2/10/60	REVISED PER FIELD CHANGES	J.M.	J.M.
42	3/10/60	REVISED PER FIELD CHANGES	J.M.	J.M.
43	4/10/60	REVISED PER FIELD CHANGES	J.M.	J.M.
44	5/10/60	REVISED PER FIELD CHANGES	J.M.	J.M.
45	6/10/60	REVISED PER FIELD CHANGES	J.M.	J.M.
46	7/10/60	REVISED PER FIELD CHANGES	J.M.	J.M.
47	8/10/60	REVISED PER FIELD CHANGES	J.M.	J.M.
48	9/10/60	REVISED PER FIELD CHANGES	J.M.	J.M.
49	10/10/60	REVISED PER FIELD CHANGES	J.M.	J.M.
50	11/10/60	REVISED PER FIELD CHANGES	J.M.	J.M.
51	12/10/60	REVISED PER FIELD CHANGES	J.M.	J.M.
52	1/10/61	REVISED PER FIELD CHANGES	J.M.	J.M.
53	2/10/61	REVISED PER FIELD CHANGES	J.M.	J.M.
54	3/10/61	REVISED PER FIELD CHANGES	J.M.	J.M.
55	4/10/61	REVISED PER FIELD CHANGES	J.M.	J.M.
56	5/10/61	REVISED PER FIELD CHANGES	J.M.	J.M.
57	6/10/61	REVISED PER FIELD CHANGES	J.M.	J.M.
58	7/10/61	REVISED PER FIELD CHANGES	J.M.	J.M.
59	8/10/61	REVISED PER FIELD CHANGES	J.M.	J.M.
60	9/10/61	REVISED PER FIELD CHANGES	J.M.	J.M.
61	10/10/61	REVISED PER FIELD CHANGES	J.M.	J.M.
62	11/10/61	REVISED PER FIELD CHANGES	J.M.	J.M.
63	12/10/61	REVISED PER FIELD CHANGES	J.M.	J.M.
64	1/10/62	REVISED PER FIELD CHANGES	J.M.	J.M.
65	2/10/62	REVISED PER FIELD CHANGES	J.M.	J.M.
66	3/10/62	REVISED PER FIELD CHANGES	J.M.	J.M.
67	4/10/62	REVISED PER FIELD CHANGES	J.M.	J.M.
68	5/10/62	REVISED PER FIELD CHANGES	J.M.	J.M.
69	6/10/62	REVISED PER FIELD CHANGES	J.M.	J.M.
70	7/10/62	REVISED PER FIELD CHANGES	J.M.	J.M.
71	8/10/62	REVISED PER FIELD CHANGES	J.M.	J.M.
72	9/10/62	REVISED PER FIELD CHANGES	J.M.	J.M.
73	10/10/62	REVISED PER FIELD CHANGES	J.M.	J.M.
74	11/10/62	REVISED PER FIELD CHANGES	J.M.	J.M.
75	12/10/62	REVISED PER FIELD CHANGES	J.M.	J.M.
76	1/10/63	REVISED PER FIELD CHANGES	J.M.	J.M.
77	2/10/63	REVISED PER FIELD CHANGES	J.M.	J.M.
78	3/10/63	REVISED PER FIELD CHANGES	J.M.	J.M.
79	4/10/63	REVISED PER FIELD CHANGES	J.M.	J.M.
80	5/10/63	REVISED PER FIELD CHANGES	J.M.	J.M.
81	6/10/63	REVISED PER FIELD CHANGES	J.M.	J.M.
82	7/10/63	REVISED PER FIELD CHANGES	J.M.	J.M.
83	8/10/63	REVISED PER FIELD CHANGES	J.M.	J.M.
84	9/10/63	REVISED PER FIELD CHANGES	J.M.	J.M.
85	10/10/63	REVISED PER FIELD CHANGES	J.M.	J.M.
86	11/10/63	REVISED PER FIELD CHANGES	J.M.	J.M.
87	12/10/63	REVISED PER FIELD CHANGES	J.M.	J.M.
88	1/10/64	REVISED PER FIELD CHANGES	J.M.	J.M.
89	2/10/64	REVISED PER FIELD CHANGES	J.M.	J.M.
90	3/10/64	REVISED PER FIELD CHANGES	J.M.	J.M.
91	4/10/64	REVISED PER FIELD CHANGES	J.M.	J.M.
92	5/10/64	REVISED PER FIELD CHANGES	J.M.	J.M.
93	6/10/64	REVISED PER FIELD CHANGES	J.M.	J.M.
94	7/10/64	REVISED PER FIELD CHANGES	J.M.	J.M.
95	8/10/64	REVISED PER FIELD CHANGES	J.M.	J.M.
96	9/10/64	REVISED PER FIELD CHANGES	J.M.	J.M.
97	10/10/64	REVISED PER FIELD CHANGES	J.M.	J.M.
98	11/10/64	REVISED PER FIELD CHANGES	J.M.	J.M.
99	12/10/64	REVISED PER FIELD CHANGES	J.M.	J.M.
100	1/10/65	REVISED PER FIELD CHANGES	J.M.	J.M.

TERA APERTURE CARD

PENNSYLVANIA POWER & LIGHT COMPANY
 ALLIANT ENERGY SERVICES
 SUPPLYING ELECTRICITY TO THE STATE OF PENNSYLVANIA
 UNIT 1, LINTZ

BECHTEL - SAN FRANCISCO

ESSW PUMPHOUSE
 FLOOR PLAN @ EL. 685'-6"

NO.	DATE	DESCRIPTION	BY	CHKD.
1	10/20/56	ISSUED FOR CONSTRUCTION	J.M.	J.M.
2	11/15/56	REVISED PER FIELD CHANGES	J.M.	J.M.
3	12/10/56	REVISED PER FIELD CHANGES	J.M.	J.M.
4	1/10/57	REVISED PER FIELD CHANGES	J.M.	J.M.
5	2/10/57	REVISED PER FIELD CHANGES	J.M.	J.M.
6	3/10/57	REVISED PER FIELD CHANGES	J.M.	J.M.
7	4/10/57	REVISED PER FIELD CHANGES	J.M.	J.M.
8	5/10/57	REVISED PER FIELD CHANGES	J.M.	J.M.
9	6/10/57	REVISED PER FIELD CHANGES	J.M.	J.M.
10	7/10/57	REVISED PER FIELD CHANGES	J.M.	J.M.
11	8/10/57	REVISED PER FIELD CHANGES	J.M.	J.M.
12	9/10/57	REVISED PER FIELD CHANGES	J.M.	J.M.
13	10/10/57	REVISED PER FIELD CHANGES	J.M.	J.M.
14	11/10/57	REVISED PER FIELD CHANGES	J.M.	J.M.
15	12/10/57	REVISED PER FIELD CHANGES	J.M.	J.M.
16	1/10/58	REVISED PER FIELD CHANGES	J.M.	J.M.
17	2/10/58	REVISED PER FIELD CHANGES	J.M.	J.M.
18	3/10/58	REVISED PER FIELD CHANGES	J.M.	J.M.
19	4/10/58	REVISED PER FIELD CHANGES	J.M.	J.M.
20	5/10/58	REVISED PER FIELD CHANGES	J.M.	J.M.
21	6/10/58	REVISED PER FIELD CHANGES	J.M.	J.M.
22	7/10/58	REVISED PER FIELD CHANGES	J.M.	J.M.
23	8/10/58	REVISED PER FIELD CHANGES	J.M.	J.M.
24	9/10/58	REVISED PER FIELD CHANGES	J.M.	J.M.
25	10/10/58	REVISED PER FIELD CHANGES	J.M.	J.M.
26	11/10/58	REVISED PER FIELD CHANGES	J.M.	J.M.
27	12/10/58	REVISED PER FIELD CHANGES	J.M.	J.M.
28	1/10/59	REVISED PER FIELD CHANGES	J.M.	J.M.
29	2/10/59	REVISED PER FIELD CHANGES	J.M.	J.M.
30	3/10/59	REVISED PER FIELD CHANGES	J.M.	J.M.
31	4/10/59	REVISED PER FIELD CHANGES	J.M.	J.M.
32	5/10/59	REVISED PER FIELD CHANGES	J.M.	J.M.
33	6/10/59	REVISED PER FIELD CHANGES	J.M.	J.M.
34	7/10/59	REVISED PER FIELD CHANGES	J.M.	J.M.
35	8/10/59	REVISED PER FIELD CHANGES	J.M.	J.M.
36	9/10/59	REVISED PER FIELD CHANGES	J.M.	J.M.
37	10/10/59	REVISED PER FIELD CHANGES	J.M.	J.M.
38	11/10/59	REVISED PER FIELD CHANGES	J.M.	J.M.
39	12/10/59	REVISED PER FIELD CHANGES	J.M.	J.M.
40	1/10/60	REVISED PER FIELD CHANGES	J.M.	J.M.
41	2/10/60	REVISED PER FIELD CHANGES	J.M.	J.M.
42	3/10/60	REVISED PER FIELD CHANGES	J.M.	J.M.
43	4/10/60	REVISED PER FIELD CHANGES	J.M.	J.M.
44	5/10/60	REVISED PER FIELD CHANGES	J.M.	J.M.
45	6/10/60	REVISED PER FIELD CHANGES	J.M.	J.M.
46	7/10/60	REVISED PER FIELD CHANGES	J.M.	J.M.
47	8/10/60	REVISED PER FIELD CHANGES	J.M.	J.M.
48	9/10/60	REVISED PER FIELD CHANGES	J.M.	J.M.
49	10/10/60	REVISED PER FIELD CHANGES	J.M.	J.M.
50	11/10/60	REVISED PER FIELD CHANGES	J.M.	J.M.
51	12/10/60	REVISED PER FIELD CHANGES	J.M.	J.M.
52	1/10/61	REVISED PER FIELD CHANGES	J.M.	J.M.
53	2/10/61	REVISED PER FIELD CHANGES	J.M.	J.M.
54	3/10/61	REVISED PER FIELD CHANGES	J.M.	J.M.
55	4/10/61	REVISED PER FIELD CHANGES	J.M.	J.M.
56	5/10/61	REVISED PER FIELD CHANGES	J.M.	J.M.
57	6/10/61	REVISED PER FIELD CHANGES	J.M.	J.M.
58	7/10/61	REVISED PER FIELD CHANGES	J.M.	J.M.
59	8/10/61	REVISED PER FIELD CHANGES	J.M.	J.M.
60	9/10/61	REVISED PER FIELD CHANGES	J.M.	J.M.
61	10/10/61	REVISED PER FIELD CHANGES	J.M.	J.M.
62	11/10/61	REVISED PER FIELD CHANGES	J.M.	J.M.
63	12/10/61	REVISED PER FIELD CHANGES	J.M.	J.M.
64	1/10/62	REVISED PER FIELD CHANGES	J.M.	J.M.
65	2/10/62	REVISED PER FIELD CHANGES	J.M.	J.M.
66	3/10/62	REVISED PER FIELD CHANGES	J.M.	J.M.
67	4/10/62	REVISED PER FIELD CHANGES	J.M.	J.M.
68	5/10/62	REVISED PER FIELD CHANGES	J.M.	J.M.
69	6/10/62	REVISED PER FIELD CHANGES	J.M.	J.M.
70	7/10/62	REVISED PER FIELD CHANGES	J.M.	J.M.
71	8/10/62	REVISED PER FIELD CHANGES	J.M.	J.M.
72	9/10/62	REVISED PER FIELD CHANGES	J.M.	J.M.
73	10/10/62	REVISED PER FIELD CHANGES	J.M.	J.M.
74	11/10/62	REVISED PER FIELD CHANGES	J.M.	J.M.
75	12/10/62	REVISED PER FIELD CHANGES	J.M.	J.M.
76	1/10/63	REVISED PER FIELD CHANGES	J.M.	J.M.
77	2/10/63	REVISED PER FIELD CHANGES	J.M.	J.M.
78	3/10/63	REVISED PER FIELD CHANGES	J.M.	J.M.
79	4/10/63	REVISED PER FIELD CHANGES	J.M.	J.M.
80	5/10/63	REVISED PER FIELD CHANGES	J.M.	J.M.
81	6/10/63	REVISED PER FIELD CHANGES	J.M.	J.M.
82	7/10/63	REVISED PER FIELD CHANGES	J.M.	J.M.
83	8/10/63	REVISED PER FIELD CHANGES	J.M.	J.M.
84	9/10/63	REVISED PER FIELD CHANGES	J.M.	J.M.
85	10/10/63	REVISED PER FIELD CHANGES	J.M.	J.M.
86	11/10/63	REVISED PER FIELD CHANGES	J.M.	J.M.
87	12/10/63	REVISED PER FIELD CHANGES	J.M.	J.M.
88	1/10/64	REVISED PER FIELD CHANGES	J.M.	J.M.
89	2/10/64	REVISED PER FIELD CHANGES	J.M.	J.M.
90	3/10/64	REVISED PER FIELD CHANGES	J.M.	J.M.
91	4/10/64	REVISED PER FIELD CHANGES	J.M.	J.M.
92	5/10/64	REVISED PER FIELD CHANGES	J.M.	J.M.
93	6/10/64	REVISED PER FIELD CHANGES	J.M.	J.M.
94	7/10/64	REVISED PER FIELD CHANGES	J.M.	J.M.
95	8/10/64	REVISED PER FIELD CHANGES	J.M.	J.M.
96	9/10/64	REVISED PER FIELD CHANGES	J.M.	J.M.
97	10/10/64	REVISED PER FIELD CHANGES	J.M.	J.M.
98	11/10/64	REVISED PER FIELD CHANGES	J.M.	J.M.
99	12/10/64	REVISED PER FIELD CHANGES	J.M.	J.M.
100	1/10/65	REVISED PER FIELD CHANGES		

RDS - PDR

8012180622

