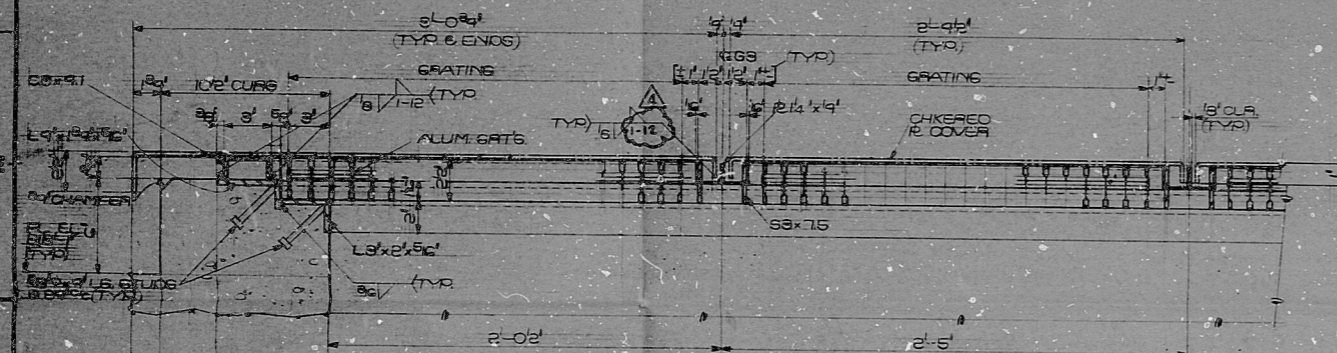
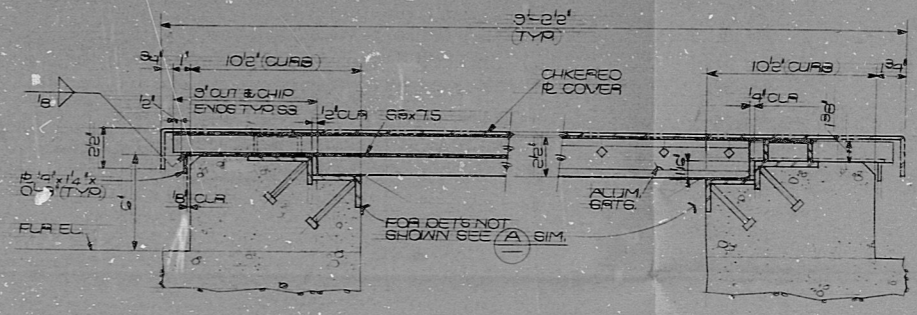


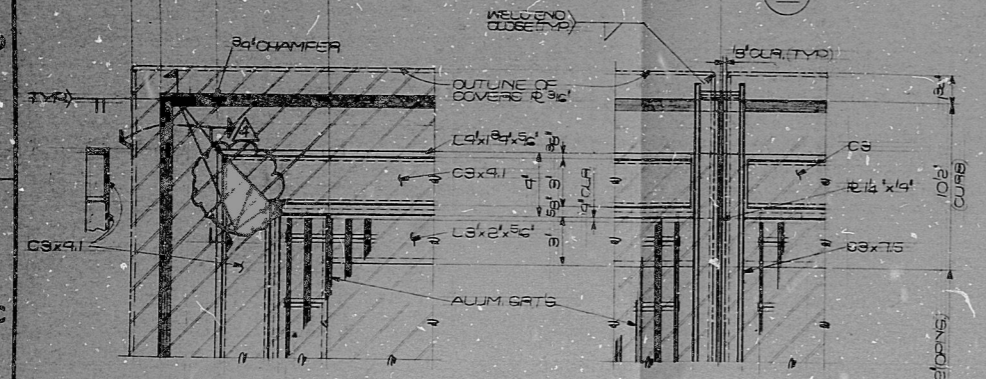
PLAN VIEW WATER TIGHT COVER
LIVE LOAD = 250 P.S.F.
(2 REQUIRED) SCALE = NONE



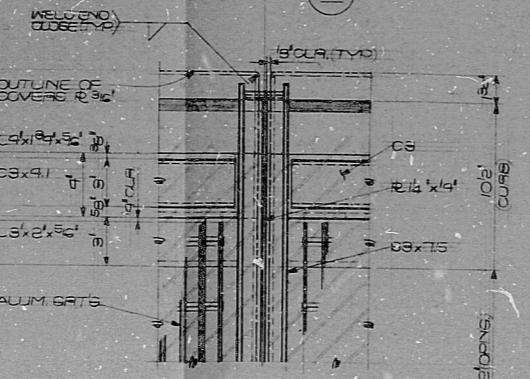
SECTION A



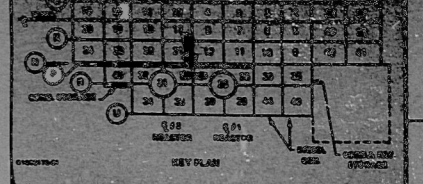
SECTION B



DETAIL 1



DETAIL 2



NOTES:
1. FOR GENERAL NOTES & REFERENCE DRAWINGS SEE DWG. C-243.
2. ALL MATERIAL THIS DRAWING SHALL BE FURNISHED UNDER SPECIFICATION 8856-C-16 & SHALL BE Q LISTED UNLESS NOTED OTHERWISE.

REFERENCE DWG'S	
BECHTEL NO.	PL. NO.
C-243	E-105274
C-244	E-105274
C-247	E-105274

NO.	DATE	REVISIONS	BY	CHECKED	APPROVED
1					
2					

PENNSYLVANIA POWER & LIGHT COMPANY
ALLENTOWN, PENNSYLVANIA
BROOKHARMA STEAM ELECTRIC STATION - UNIT 1, UNIT 2
BECHTEL - SAN FRANCISCO
REACTOR BUILDING UNITS 1 & 2
WATER TIGHT COVERS @ EL. 818'-1"
PLAN SECTIONS & DETAILS



JOB NO.	DRAWING NO.	REV.
8856	C-252 SH-1	4

E-105274 SH-2

2IDS- PDR

8012160125

