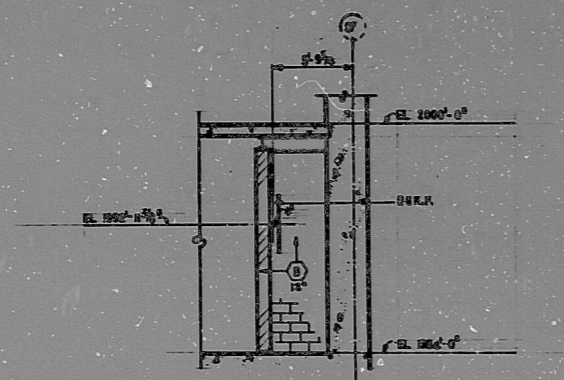
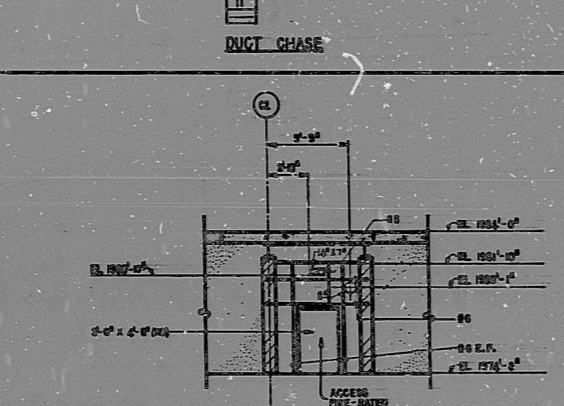


WEST ELEVATION - NOTED

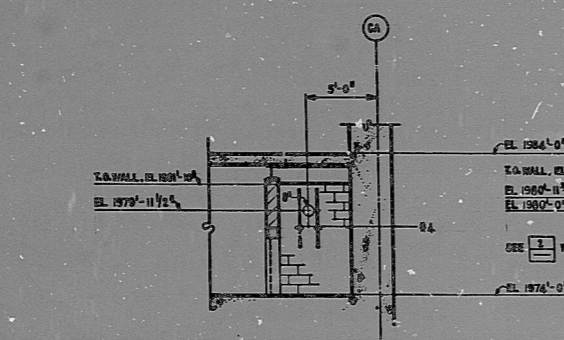


NORTH ELEVATION - NOTED



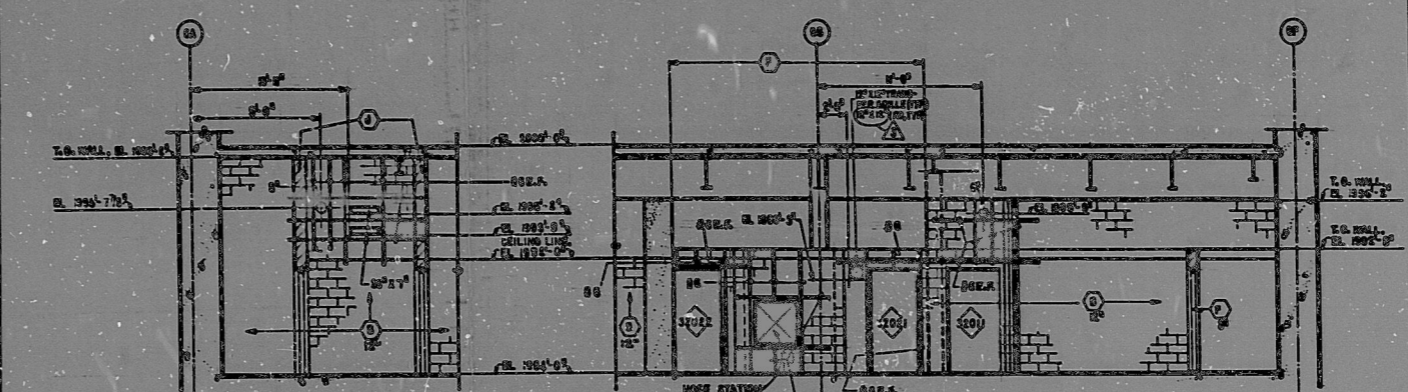
WEST ELEVATION (E) - NOTED

ELEC CHASE - ROOM NO. 3106



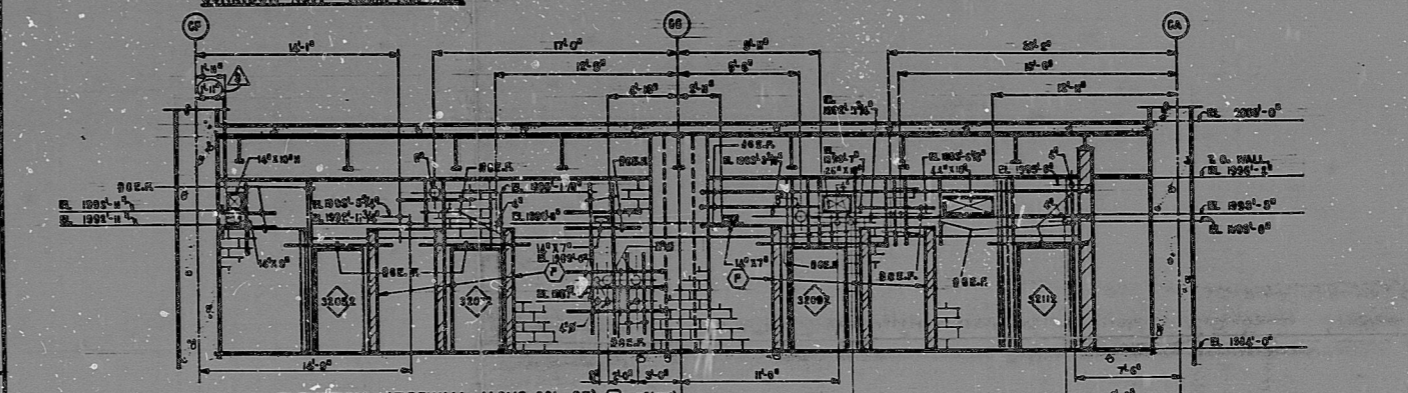
NORTH ELEVATION (E) - NOTED

ELEC CHASE - ROOM NO. 3106



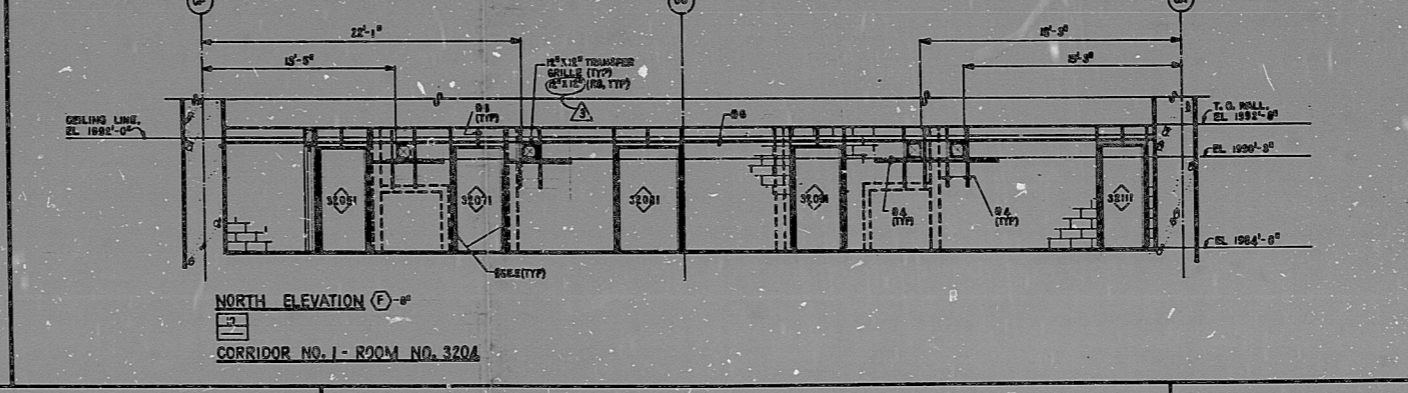
SOUTH ELEVATION - NOTED

CORRIDOR NO. 1 - ROOM NO. 3204



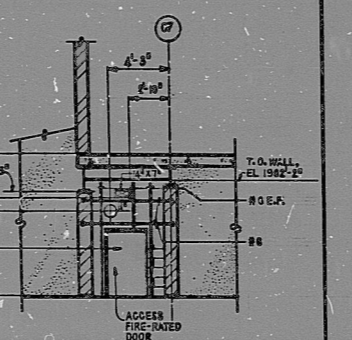
NORTH ELEVATION (FIREWALL ALONG COL C5) - NOTED

CORRIDOR NO. 1 - ROOM NO. 3204



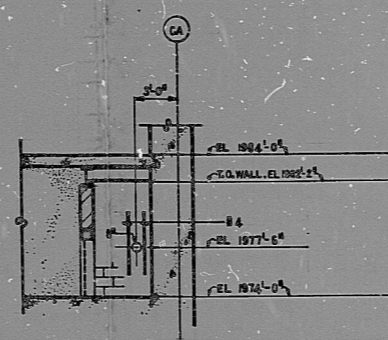
NORTH ELEVATION (F) - NOTED

CORRIDOR NO. 1 - ROOM NO. 3204



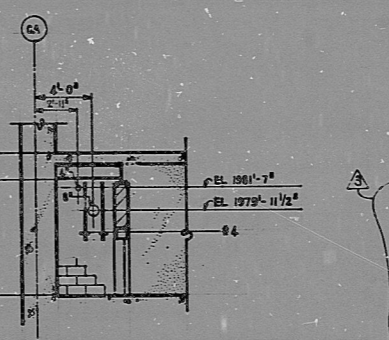
WEST ELEVATION (E) - NOTED

ELEC CHASE - ROOM NO. 3106



NORTH ELEVATION (E) - NOTED

ELEC CHASE - ROOM NO. 3106



SOUTH ELEVATION (E) - NOTED

ELEC CHASE - ROOM NO. 3106

- NOTES**
1. FOR TYPICAL WALL REINFORCING, SEE DET. NO. A-0338.
 2. ADDITIONAL REINFORCING SHOWN EXTENDS 2'-0" BEYOND EACH EDGE OF OPENING, U.S.C.
 3. ALL HOLES SHOULD BE CIRCULAR 8" HOLES.
 4. (A) UNLESS TYPICAL WALL REINFORCING PATTERNS ARE SHOWN, TWO NO. 4 BARS SHALL BE PROVIDED. THE BARS SHALL BE SPACED AT 12" ON CENTER.
 5. REINFORCING SHOULD BE TYPICAL UNLESS OTHERWISE SHOWN IN TYPICAL. UNLESS OTHERWISE SHOWN, ALL REINFORCING SHALL BE PROVIDED WITH TYPICAL. UNLESS OTHERWISE SHOWN, ALL REINFORCING SHALL BE PROVIDED WITH TYPICAL. UNLESS OTHERWISE SHOWN, ALL REINFORCING SHALL BE PROVIDED WITH TYPICAL.
 6. AT THE OPTION OF THE ARCHITECT, WALLS SHOWN ON THIS DRAWING MAY BE CHANGED TO REINFORCED CONCRETE. U.S.C. DETAILS FOR REINFORCED CONCRETE SHALL BE AS SHOWN ON DET. NO. A-0338.

REFERENCE DRAWINGS
 ARCHITECTURAL A-0338 - FLOOR PLANS
 A-0338 & A-0338 - MASONRY DETAILS

TERA APERTURE CARD

NOTICE: ALTERATION OF THIS DOCUMENT BY ANY PERSON OTHER THAN THE LICENSED REGISTERED ARCHITECT OR ENGINEER UNDER THEIR DIRECTION IS ILLEGAL.

THE UNDERSIGNED HEREBY DISCLAIM ANY RESPONSIBILITY FOR ANY ERRORS OR OMISSIONS IN THIS REPORT OR ANY PART OF IT OR IN CONNECTION WITH THE ENGINEERING PROJECT OR ON OR IN CONNECTION WITH ANY OTHER DOCUMENT OR INSTRUMENT AS BEARING THE SIGNATURE AND SEAL OF THE UNDERSIGNED.

DATE OF REVISION: 10/19/77
 DRAWN BY: [Signature]
 CHECKED BY: [Signature]
 DESIGNED BY: [Signature]

SCALE: 1/4" = 1'-0" DATE: 9-22-77 DESIGNED: [Signature]

NO.	DATE	REVISION	BY	CHKD.	APPV.
1		ISSUED FOR DISTRIBUTION	[Signature]	[Signature]	[Signature]
2		REVISED AS NOTED	[Signature]	[Signature]	[Signature]
3		REVISED AS NOTED	[Signature]	[Signature]	[Signature]

BECHTEL
 GAITHERSBURG, MARYLAND
SNUPPS

ARCHITECTURAL
 CMU WALL PENETRATIONS
 CONTROL BUILDING

JOB NO.	10466	DATE	9-22-77
DESIGNED BY	[Signature]	CHECKED BY	[Signature]
SCALE	1/4" = 1'-0"	DATE	9-22-77

This drawing and the design it covers is the property of the Institution which is participating in the GAITHERSBURG Project. It is loaned to the borrower's engineer/contractor and shall not be reproduced, copied, or used in any way without the written consent of the Institution.

SUPERVISOR: [Signature] APR 79 CAMERA OPERATOR: [Signature]
 30X

125 0034008

PDR

8007300524

