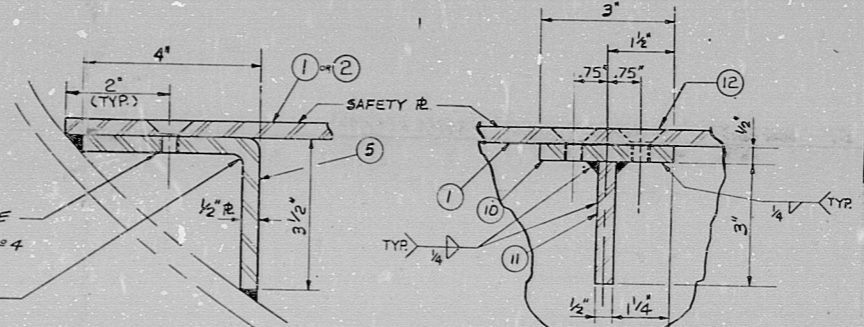


QTY	DESCRIPTION	MAT'L	S.R.
1 2	FLOOR SAFETY PLATE LARGE PATTERN 36" x 36" x 1/2" THK	ROLLED STL COMM. GRADE	NO
2 2	FLOOR SAFETY PLATE LARGE PATTERN 43 3/4" x 36" x 1/2" THK	ROLLED STL COMM. GRADE	NO
4 1	R 1/2" x 6 1/2" x 13'-3 1/2"	SA-216, GR 70	YES
5 1	R 1/2" x 6 1/2" x 13'-9 1/2"	"	"
6 1	R 1/2" x 13 3/8" x 12'-0 1/4"	"	II
7 1	R 1/2" x 13 3/8" x 13'-2 1/2"	"	II
8 1	R 1/2" x 16 3/8" x 12'-0 1/4"	"	II
9			
10 20	R 3" x 1/2" x 1'-5 3/8"	A 360	NO
11 20	R 3" x 1/2" x 1'-5 3/8"	A 360	NO
12 28	FLAT HD. SCR. 3/8" x 1 1/2" x 1 1/2"	CARBON STEEL	NO

**FLOOR DETAILS**  
SCALE: 3/4" = 1'-0"

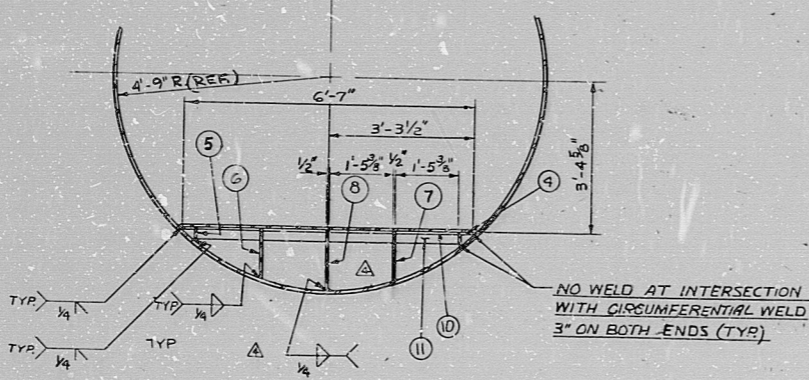
1/2" DRILL THRU SAFETY PLATE  
2 1/2" x 1 1/2" W/ 80% OF SK.  
5/8" DRILL THRU, 7/8" x 5/8" x 1/4"  
TYP 3/8" x 1/2" x 1/4"  
(28 HOLES)



**SECTION B-B**  
SCALE: 3/4" = 1'

**SECTION C-C**  
SCALE: 3/4" = 1'

**APERTURE CARD**



**SECTION A-A**  
SCALE: 3/4" = 1'-0"

NO WELD AT INTERSECTION  
WITH CIRCUMFERENTIAL WELD  
3" ON BOTH ENDS (TYP)

CONTRACT NO. RB5 29-700056 CONTAINMENT PERSONNEL AIR LOCKS  
MARK NO UPPER: 1JRB \* DRAI LOWER: 1JRB \* DRAI  
SERIAL NO UPPER: 33021 LOWER: 33041  
JOB NO 12210 RIVER BEND STATION UNIT-1  
GULF STATES UTILITIES CO WEST FELICIANA PARISH, LOUISIANA

**W. J. WOOLLEY CO.**  
RIVER FOREST, ILLINOIS

**FLOOR DETAILS**  
CONTAINMENT AIR LOCK

DATE: 8-12-76  
SCALE: AS NOTED  
JOB NO: 12210  
Dwg: 33258

ENGINEER'S DRAWING DATA FORM		MANUFACTURER'S DRAWING DATA FORM	
DESIGNED BY: S. RUNCIE	DESIGNED BY: S. RUNCIE	DATE TO DESIGN: 8-13-76	REQUIRED RETURN DATE: 9-3-76
CHECKED BY: S. RUNCIE	CHECKED BY: S. RUNCIE	DESIGN ENGINEER'S DATE STAMP: 8-13-76	DESIGNER'S DATE STAMP: 8-13-76
APPROVED BY: S. RUNCIE	APPROVED BY: S. RUNCIE	DESIGNER'S DATE STAMP: 8-13-76	DESIGNER'S DATE STAMP: 8-13-76
RELEASED FOR FABRICATION	RELEASED FOR FABRICATION	DESIGNER'S DATE STAMP: 8-13-76	DESIGNER'S DATE STAMP: 8-13-76
RELEASED FOR MATERIAL PURCHASE	RELEASED FOR MATERIAL PURCHASE	DESIGNER'S DATE STAMP: 8-13-76	DESIGNER'S DATE STAMP: 8-13-76
REQUIRED PRINTS	REQUIRED PRINTS	DESIGNER'S DATE STAMP: 8-13-76	DESIGNER'S DATE STAMP: 8-13-76
REVISIONS	REVISIONS	DESIGNER'S DATE STAMP: 8-13-76	DESIGNER'S DATE STAMP: 8-13-76
FOR REVIEW	FOR REVIEW	DESIGNER'S DATE STAMP: 8-13-76	DESIGNER'S DATE STAMP: 8-13-76
FOR RECORD	FOR RECORD	DESIGNER'S DATE STAMP: 8-13-76	DESIGNER'S DATE STAMP: 8-13-76
NOSE REQUIRED	NOSE REQUIRED	DESIGNER'S DATE STAMP: 8-13-76	DESIGNER'S DATE STAMP: 8-13-76

8202230680

RIDS

8202230680

