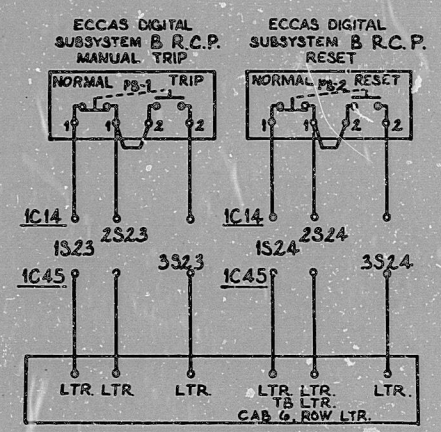
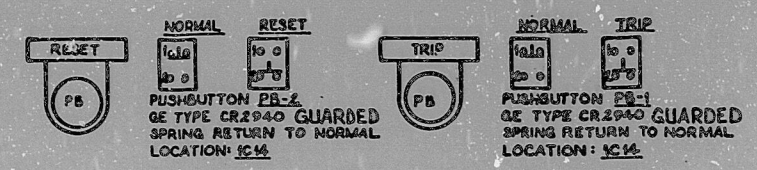


This drawing and the design it covers are the property of BECHTEL. They are hereby loaned and on the borrower's express agreement that they will not be reproduced, copied, loaned, exhibited, or used except in the limited way and private use permitted by any written consent given by the lender to the borrower.

7220-115	ISSUED FOR CONSTRUCTION	DATE	BY
0			



TERA APERTURE CARD

ECCAS DIGITAL SUBSYSTEM B  
 SCHEME 18A159  
 S.U. DESIG. 1-3AA

REFERENCE:  
 VP: 7220-LATER

BECHTEL ANN ARBOR, MICHIGAN		
MIDLAND PLANT UNITS 1 & 2 CONSUMERS POWER COMPANY		
SCHEMATIC DIAGRAM EMERGENCY CORE COOLING ACTUATION SYSTEM		
JOB No.	DRAWING No.	REV.
7220	E-374(Q) SH. 2/A	0

**16X**

I certify that the image contained on this frame was made in the normal and regular course of business, on the date stated below and that it is an accurate reproduction of the document submitted to the contractor for filming, by Bechtel Power Corporation.

10-28-81 *R. Casella* *J. Alvarez*  
 DATE CAMERA OPERATOR CONTRACTOR'S SUP'VE OR MANAGER



RIDS

8112280/68

