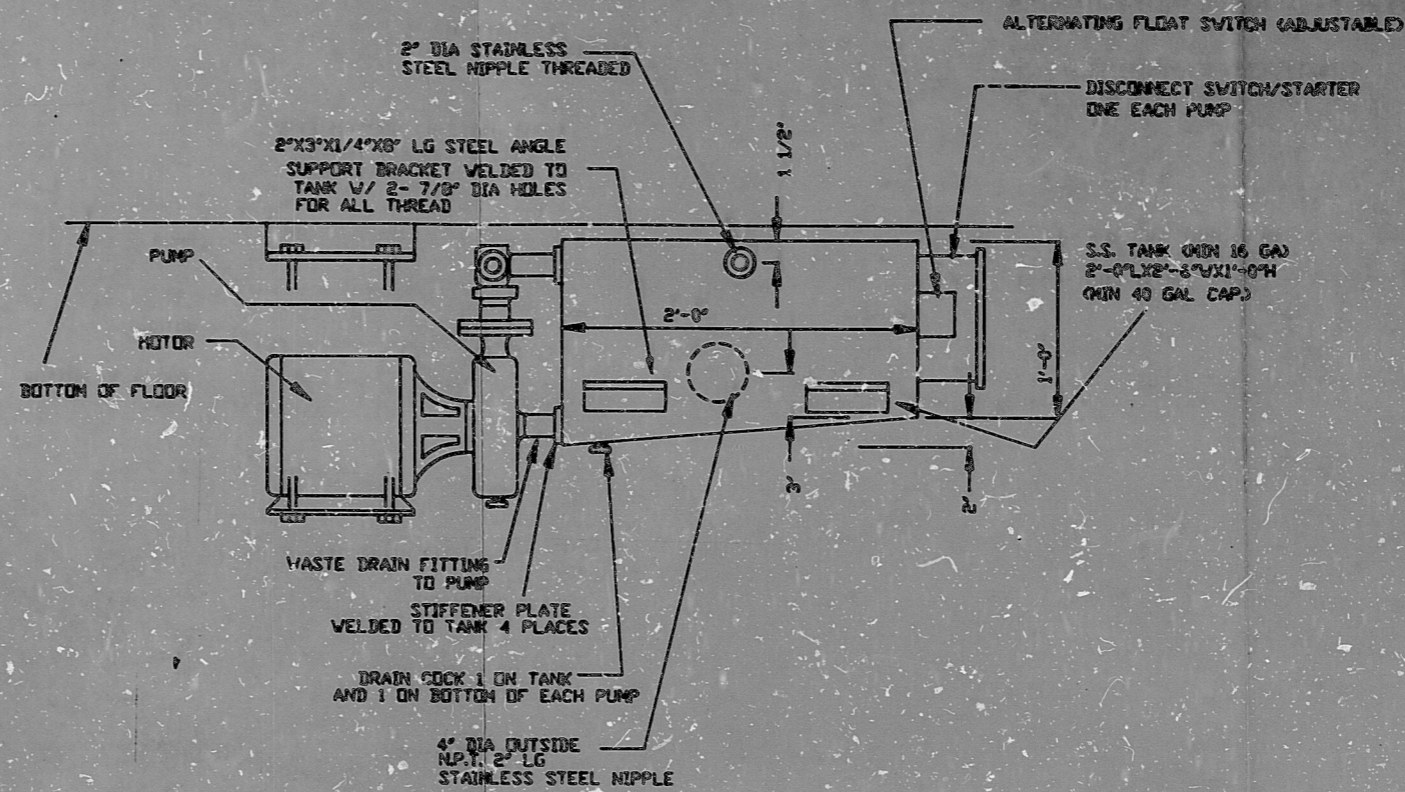
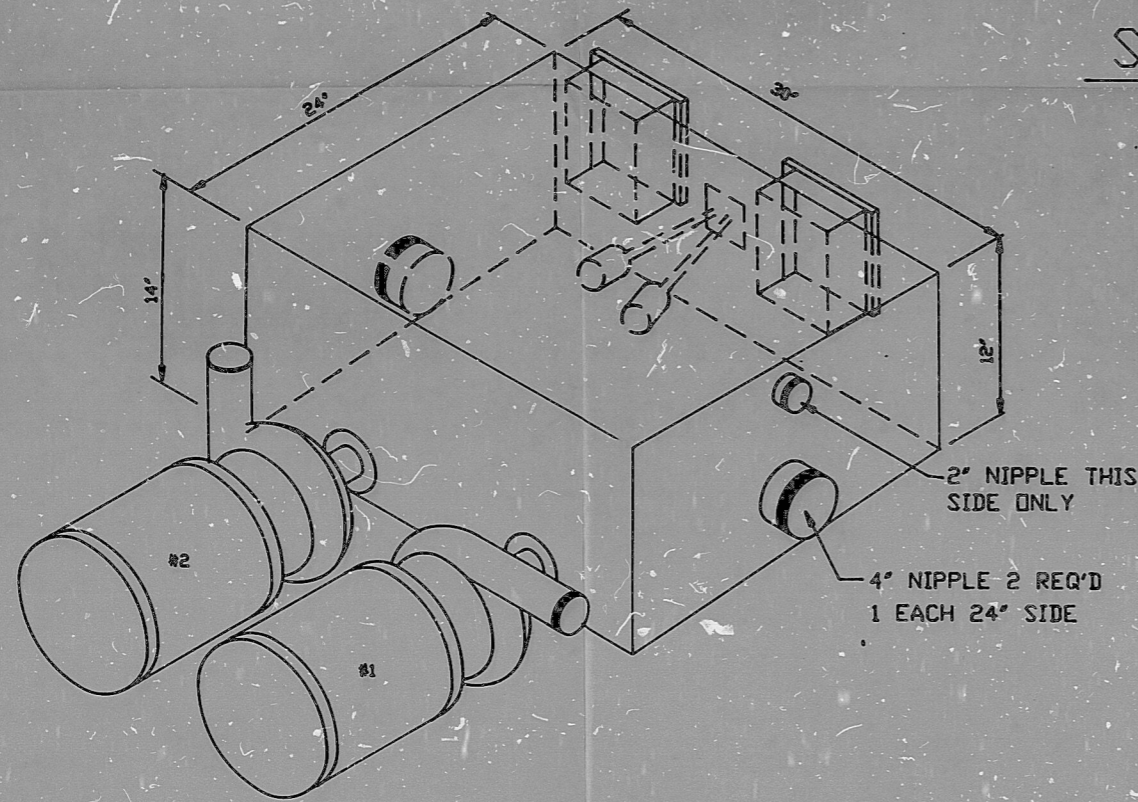


PIPING DETAIL
ALL PIPING AND FITTINGS TO BE GALVANIZED



SECTION F-F



NOTES

1. FLOAT TO HAVE DBL BALL, WHEN FIRST BALL COMES TO WITHIN 6" FROM TOP OF TANK PUMP 1 STARTS, WHEN SECOND BALL COMES TO WITHIN 4" FROM TOP OF TANK, SECOND PUMP COMES ON
2. PUMPS ARE FEDERAL CLOSE COUPLED TYPE 1 1/4 CC - 3/4 - 2,3450 RPM, 40 GPM @ 60' HEAD, MOTOR TO BE TOTALLY ENCLOSED TYPE
3. PUMPS MUST HAVE 4 HOLE MOUNTING BRACKET ON BOTTOM

SI
APERTURE
CARD

DATE: 2-3-67	COASTAL MODULAR CORPORATION		
DRAWN BY: N. SCARFOLA	P.O. BOX 224 WHITE MARSH MD 21162 (301) 335-5600		
SHT. OF: SCALE: 1"	MODULAR SYSTEMS SALES 4 IB264		
	PUMP & TANK DETAILS		
	PROPOSAL NO.	SERIAL NO. 43416-19	REV.

8905010222

PDR RIDS

8905010222

