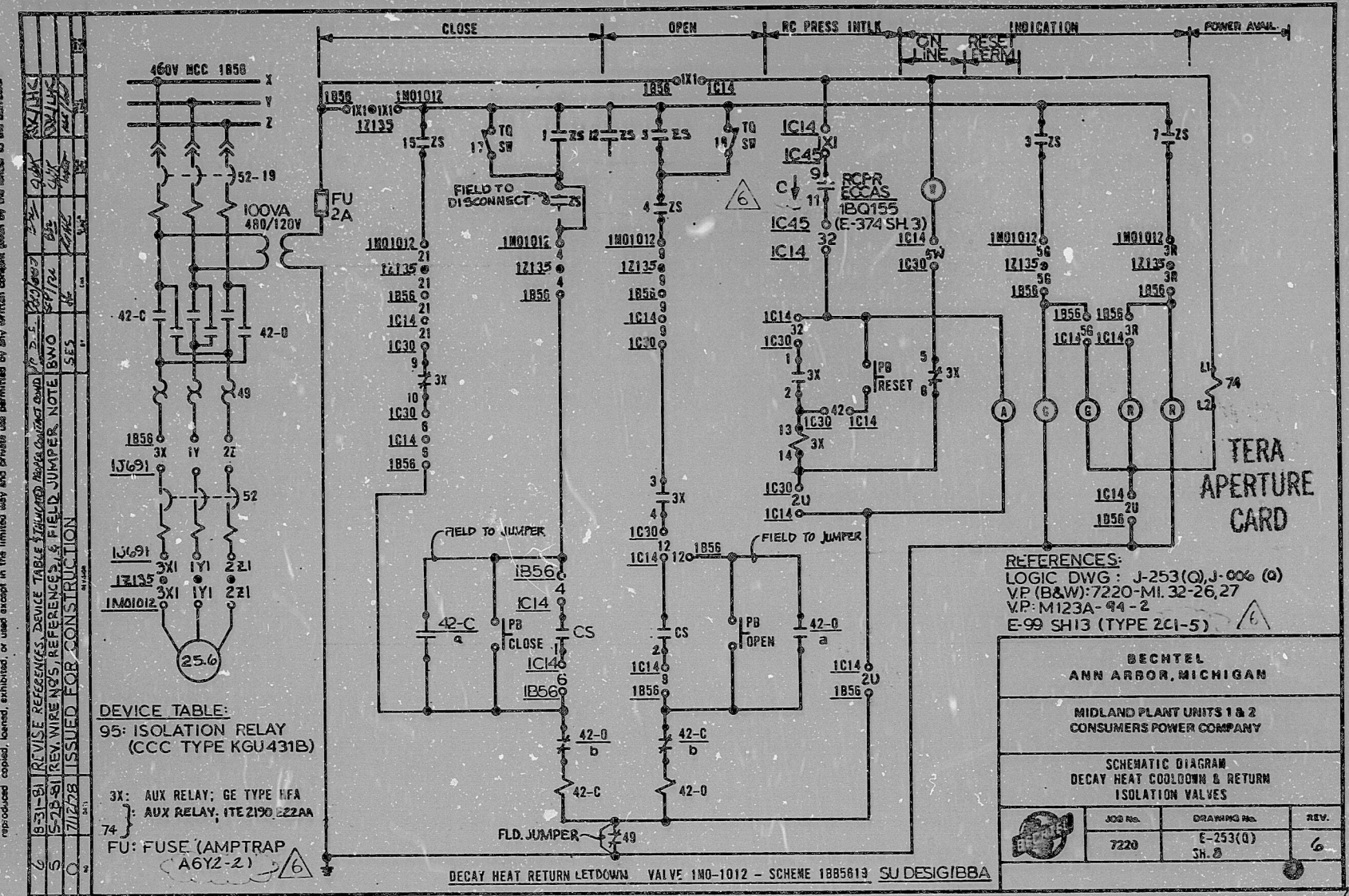


This drawing and the design it covers are the property of BECHTEL. They are hereby loaned and on the borrower's express agreement that they will not be reproduced (copied, copied, simulated, or take through in the limited way and format as permitted by any written consent given by the lender to any borrower.



I certify that the image contained on this frame was made in the normal and regular course of business, on the date stated below and that it is an accurate reproduction of the document submitted to reprographics.

9-1-81
 DATE
 CAMERA OPERATOR
 SUPERVISOR OF MICROGRAPHICS

16X

G-1348

RIDS

8112280067

