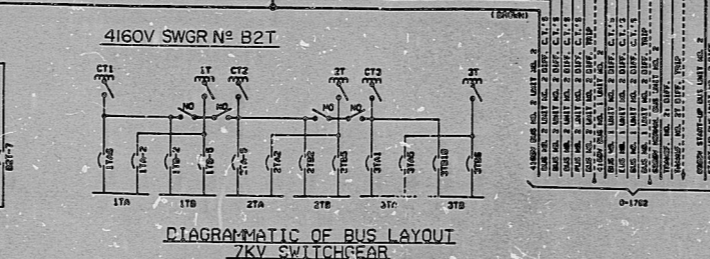
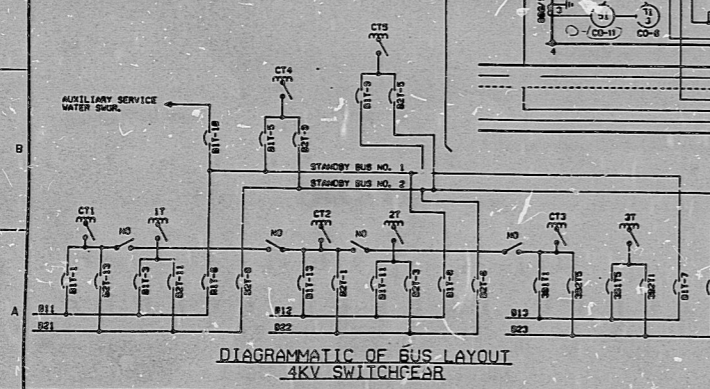


- LEGEND**
- (A) AMPHETER
 - (S) SELECTOR SWITCH
 - (M) A.P.M. & S.M. SPEED
 - (T) TRANSUCER
 - (V) VOLTMETER
 - (M) WATT-HOUR METER
 - (T) TRANSUCER
- NOTES**
1. DEVICES WHICH ARE DOTTED SUCH AS CIRCUIT BREAKERS, RELAYS AND CURRENT TRANSFORMERS ARE PROVIDED FOR BUT NOT INSTALLED.
 2. CABLE NUMBERS FOR BIT-1, 2, 3, 4, 5, 6, 9, 10 AND BIT-11, 12 & 13 CARRY 2 UNIT 11.
 3. CABLE NUMBERS FOR BIT-11, 12 & 13 AND BIT-1, 2, 3, 4, 5, 6, 9, 10 CARRY 2 UNIT 12.
 4. CABLE NUMBERS FOR BIT-1 AND BIT-2 CARRY 2 UNIT 13.
 5. TYPICAL FOR ALL THREE UNITS.
- ABBREVIATIONS**
- BIT - BUS NO. UNIT NO.
 - ST - STATIONARY BUS NO.
 - SW - SWITCH
 - TR - TRANSFORMER
 - CB - CIRCUIT BREAKER
 - CT - CURRENT TRANSFORMER
 - PT - POTENTIAL TRANSFORMER
 - MT - METER
 - TS - TEST SWITCH
 - TS - TEST BLOCK
 - TS - TEST BLOCK



FOR INFORMATION ONLY

NO.	REVISIONS	DATE	BY	CHKD	DATE	SCALE	REVISIONS
1	REV PER REV OF 21444A, 21444B, 21444C, 21444D, 21444E, 21444F, 21444G, 21444H, 21444I, 21444J, 21444K, 21444L, 21444M, 21444N, 21444O, 21444P, 21444Q, 21444R, 21444S, 21444T, 21444U, 21444V, 21444W, 21444X, 21444Y, 21444Z						
2	REV PER CCC UPGRAD						
3	REV PER REV OF 21444A, 21444B, 21444C, 21444D, 21444E, 21444F, 21444G, 21444H, 21444I, 21444J, 21444K, 21444L, 21444M, 21444N, 21444O, 21444P, 21444Q, 21444R, 21444S, 21444T, 21444U, 21444V, 21444W, 21444X, 21444Y, 21444Z						

QA CONDITION I

DUKE POWER COMPANY
OCONEE NUCLEAR STATION UNITS 1-3
ONLINE D140304
6000V & 4160V STA AUXILIARY SYS

DWG. NO. D-782-A2

SI
APERTURE
CARD

8904200286

PDR RIDS

8904200286

