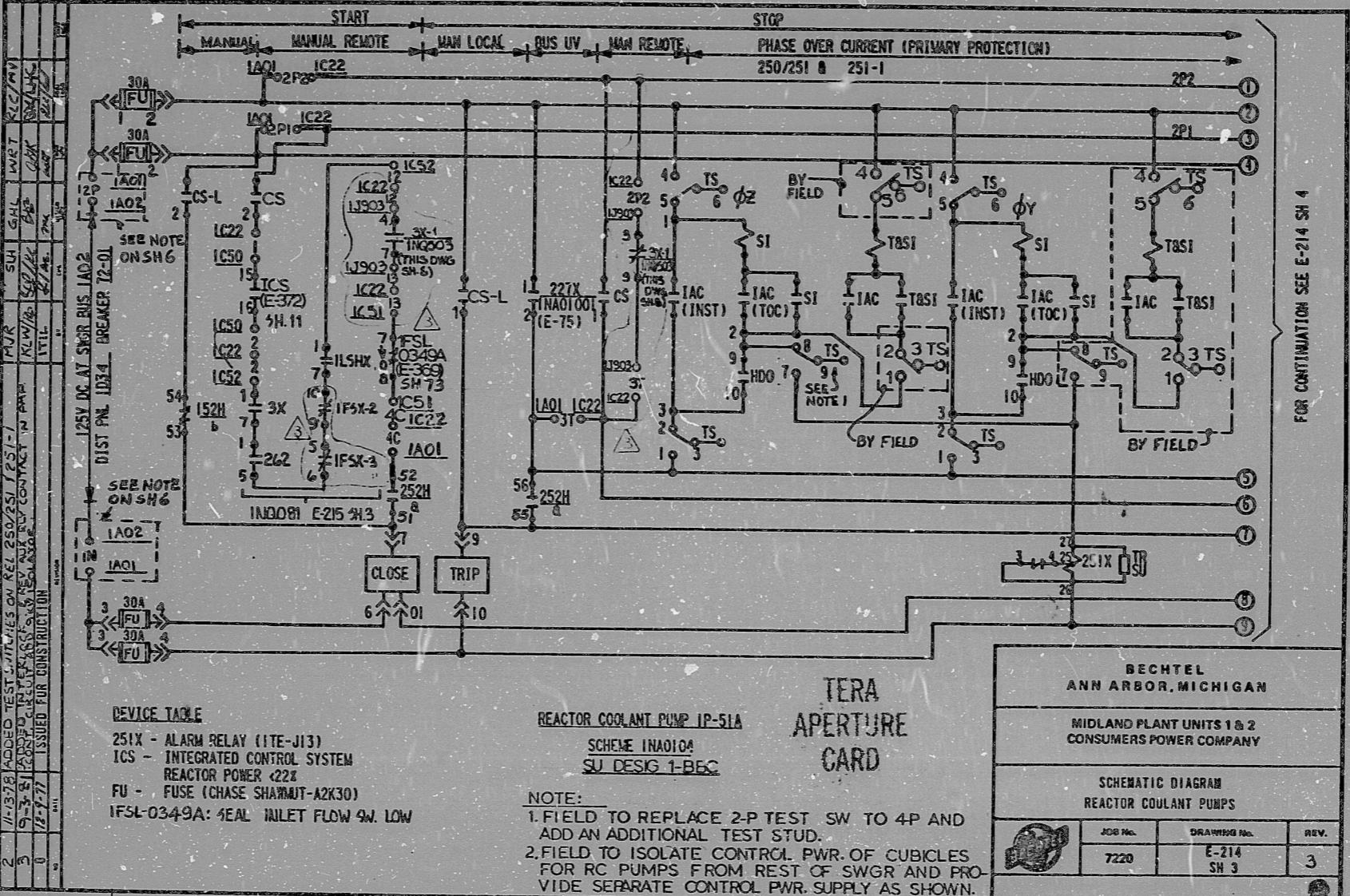


This drawing and the design it covers are the property of BECHTEL. They are hereby loaned and on the borrower's express agreement that they will not be reproduced, copied, loaned, exhibited, or used except in the limited way and period permitted by any written consent given by the lender to the borrower.



DEVICE TABLE

251X	- ALARM RELAY (1TE-J13)
ICS	- INTEGRATED CONTROL SYSTEM REACTOR POWER $22X$
FU	- FUSE (CHASE SHAWMUT-A2K30)
IFSL-0349A	- SEAL INLET FLOW 9W. LOW

REACTOR COOLANT PUMP 1P-51A
 SCHEME 1NA0104
 SU DESIG 1-B6C

NOTE:

1. FIELD TO REPLACE 2-P TEST SW TO 4P AND ADD AN ADDITIONAL TEST STUD.
2. FIELD TO ISOLATE CONTROL PWR. OF CUBICLES FOR RC PUMPS FROM REST OF SWGR AND PROVIDE SEPARATE CONTROL PWR. SUPPLY AS SHOWN.

BECHTEL
 ANN ARBOR, MICHIGAN

MIDLAND PLANT UNITS 1 & 2
 CONSUMERS POWER COMPANY

SCHEMATIC DIAGRAM
 REACTOR COOLANT PUMPS

JOB No.	DRAWING No.	REV.
7220	E-214 SH 3	3

I certify that the image contained on this frame was made in the normal and regular course of business, on the date stated below and that it is an accurate reproduction of the document submitted to reprographics.

9/19/81
 CAMERA OPERATOR
 SUPERVISOR OF REPROGRAPHICS

16X

FOR CONTINUATION SEE E-214 SH 4

RIDS

8112230464

