

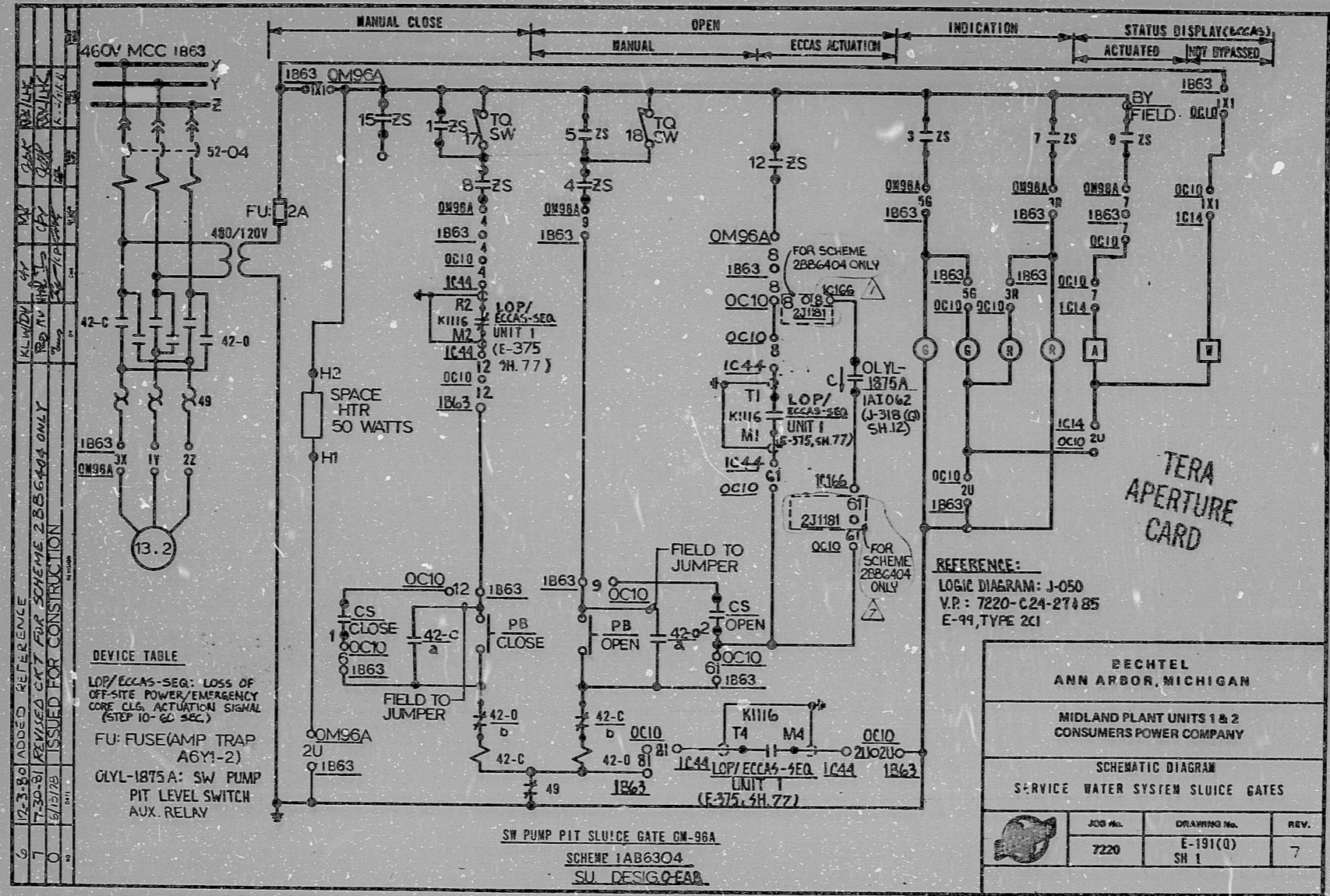
16X

Business, on the basis of an accurate reproduction of the document submitted to reprographics.

8.5.81 C. Clayton
 DATE CAMERA OPERATOR SUPERVISOR OF REPROGRAPHICS

G-1318

This drawing and the design it covers are the property of BECHTEL. They are hereby loaned and on the borrower's agreement they shall not be reproduced, copied, loaned, exhibited, or used except in the limited way and private use permitted by any written consent given by the lender to the borrower.
 12-3-80 ADDED REFERENCE
 7-30-81 REVISED CAT FOR SCHEME 2886404 ONLY
 5/13/83 ISSUED FOR CONSTRUCTION



11

11

8.5"

8.5"

11"

17"

11

11

8.5"

8.5"

11"

17"

RIDS

8112230401

