

102,012,005
SYSTEM

ITEM NUMBERS

NOTES:
1. CRANS ADDED BY CONSTRUCTION.
2. THIS COMPONENT WAS NOT BUILT TO ASME II. HOWEVER, IT WAS BUILT TO THE APPLICABLE CODE AT THE TIME OF PURCHASE PER HOURING PER TABLE A-1.4-3

DESIGN PARAMETERS

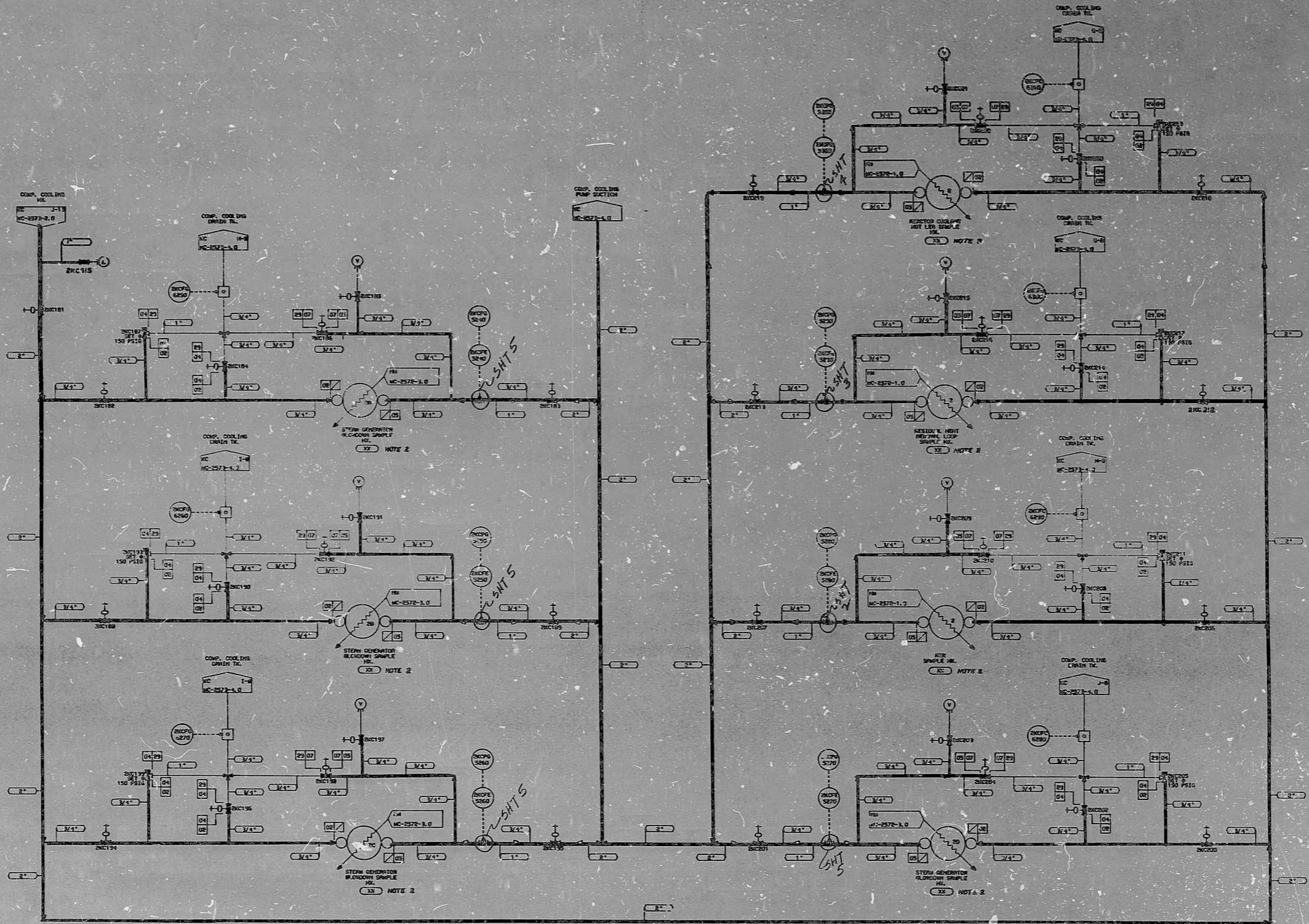
NO.	PARAMETER	UNITS	VALUE
1	DESIGN PRESSURE	PSIA	150
2	DESIGN TEMPERATURE	°F	100
3	DESIGN WIND SPEED	MPH	100
4	DESIGN SEISMIC	MS	0.1

NO.	REVISIONS	CHG APPR	DATE	BY	CHKD	DATE	INSPECTED
1	REV FOR COND. TYPN COST						
2	REV FOR COND. TYPN COST						
3	REV FOR COND. TYPN COST						

Q.A. CONDITION 1
DUKE POWER COMPANY
MOORE WILSON STATION UNIT 2
PLN DIVISION 21
COMPONENT 102,012,005
SYSTEM (A-C)

FOR INFORMATION ONLY

CL.3 HYDRO SAT



PDR RIDS

Q904180 321

