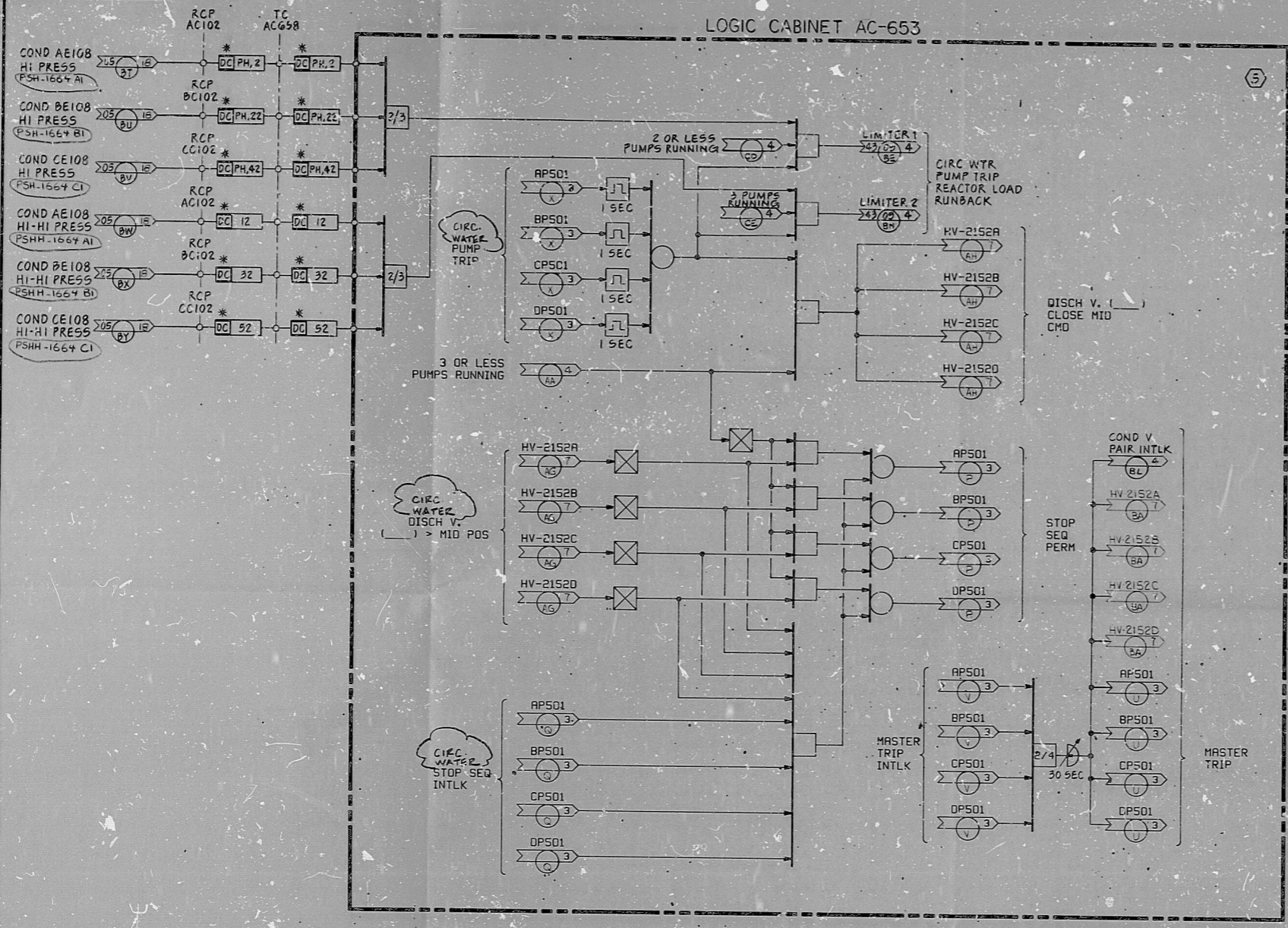


J-09-0 SHT. 5.

This drawing and the design it covers are the property of BECHTEL. They are hereby leased and on the borrower's express agreement that they will not be reproduced, copied, loaned, exhibited, nor used except in the limited way and private use permitted by any written consent given by the lender to the borrower.



MASTER SEQ CONTROL-STOP

PRO APERTURE CARD

NO	DATE	REVISIONS	BY	CHKD	DESIGN	ENGR	PROJ	APPR
1	1/1/55	DESIGN FREEZE ISSUE	KM	FC	IC	BN	GV	
2	1/1/55	REVISED AS NOTED	GM	IC	BN	GV		
3	1/1/55	REVISED AS NOTED	GM	IC	BN	GV		
4	1/1/55	ISSUED FOR CONSTRUCTION	GM	IC	BN	GV		
SCALE: NONE DESIGNED: DMH DRAWN: PEG								
BECHTEL SAN FRANCISCO								
PUBLIC SERVICE ELECTRIC AND GAS COMPANY HOPE CREEK GENERATING STATION								
LOGIC DIAGRAM CIRCULATING WATER SYSTEM MASTER SEQ CONTROL-STOP								
JOB No. 10855			DRAWING No. J-09-0 SHT. 5			REV. 3		

S/U - DA

22 X 34 "D" SIZE

RIDS

8307280014

