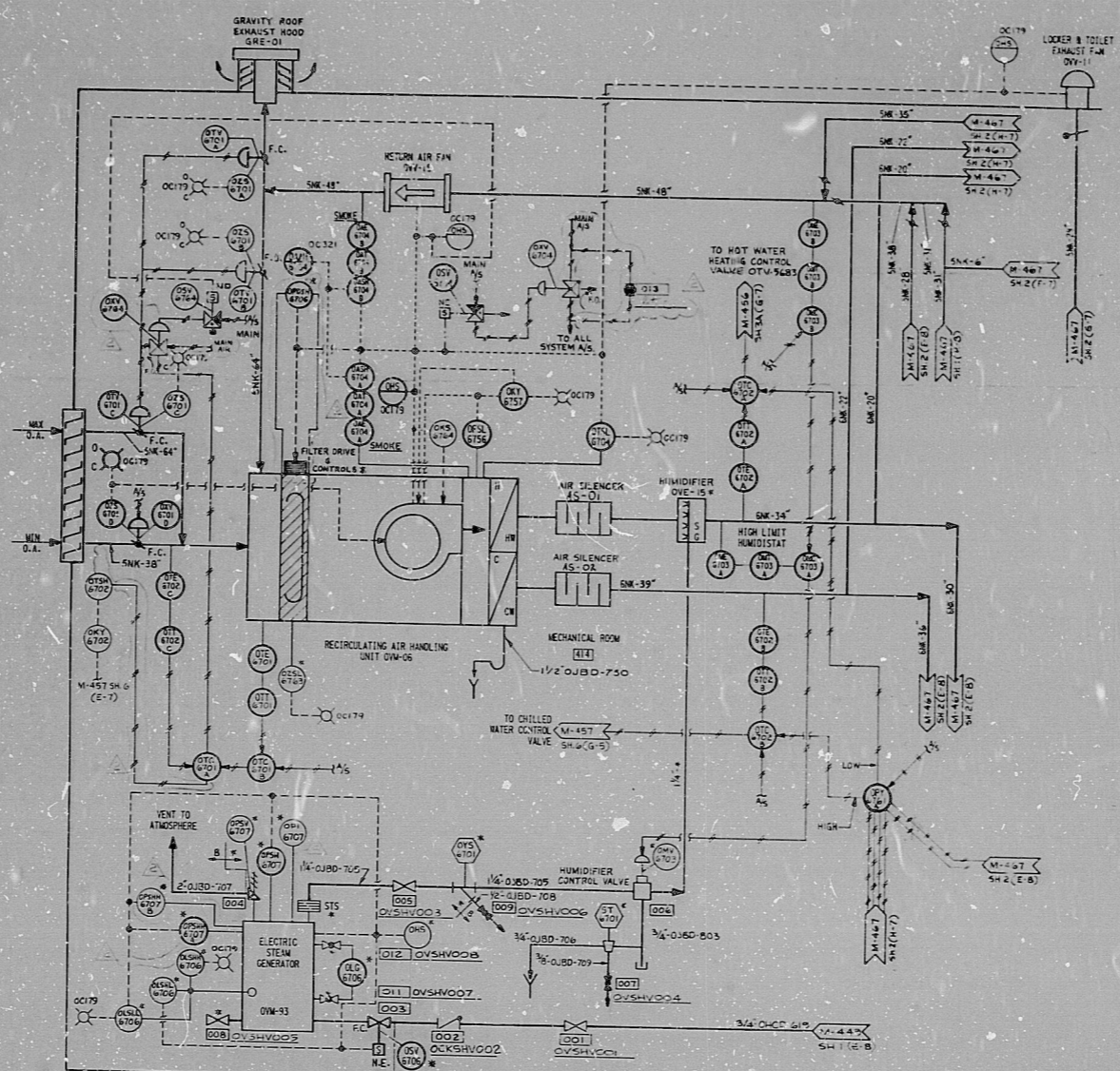


M-467 SH.3

SIZE E



OFFICE HVAC SYSTEM, MECHANICAL ROOM (474) ELEV 676'-0"

- NOTES:
1. OXY-8704 HAS A CONSTANT MAIN AIR INPUT PRESSURE AT ALL TIMES, AND WHEN ENERGIZED PASSES AIR SUPPLY (4/3) TO ALL PNEUMATIC INSTRUMENTATION IN SYSTEM.
 2. OXY-8761 IS A PNEUMATIC SELECTOR WHICH ANALYZES ALL INPUT SIGNALS AND PASSES ONLY THE HIGHEST AND LOWEST AIR PRESSURE SIGNALS AS OUTPUTS FOR RESETTING OF HOT AND COLD DISCHARGE AIR THERMOSTAT SETTINGS.
 3. SYMBOL II- represents AS FLEXIBLE DUCT CONNECTION.
 4. R - VENDOR SUPPLIED.
 5. BECHTEL INTERFACE.
 6. S is a NIGHT SETBACK TIME SWITCH FOR AUTOMATIC AIR HANDLER SHUT DOWN AND START UP.

30X

TERA APERTURE CARD

POOR ORIGINAL

NO.	DATE	BY	CHKD.	APP'D.	REVISION
1					REVISED AND REISSUED.
2					REVISED AND REISSUED, INCLUDING CHANGE TO HUMIDIFIER CONTROL VALVE.
3					REVISED AND REISSUED, INCLUDING CHANGE TO HUMIDIFIER CONTROL VALVE.
4					REVISED AND REISSUED, INCLUDING CHANGE TO HUMIDIFIER CONTROL VALVE.
5					REVISED AND REISSUED, INCLUDING CHANGE TO HUMIDIFIER CONTROL VALVE.
6					REVISED AND REISSUED, INCLUDING CHANGE TO HUMIDIFIER CONTROL VALVE.
7					REVISED AND REISSUED, INCLUDING CHANGE TO HUMIDIFIER CONTROL VALVE.
8					REVISED AND REISSUED, INCLUDING CHANGE TO HUMIDIFIER CONTROL VALVE.
9					REVISED AND REISSUED, INCLUDING CHANGE TO HUMIDIFIER CONTROL VALVE.
10					REVISED AND REISSUED, INCLUDING CHANGE TO HUMIDIFIER CONTROL VALVE.

BECHTEL
ANN ARBOR, MICHIGAN

MIDLAND PLANT UNITS 1 & 2
CONSUMERS POWER COMPANY

PIPING AND INSTRUMENT DIAGRAM
HEATING VENTILATING & AIR CONDITIONING
OFFICE & SERVICE BUILDING

JOB NO.	DRAWING NO.	REV.
7220	M-467 SH. 3	2

8.5" 11" 17"

8.5" 11" 17"

RIDS

8112230076

