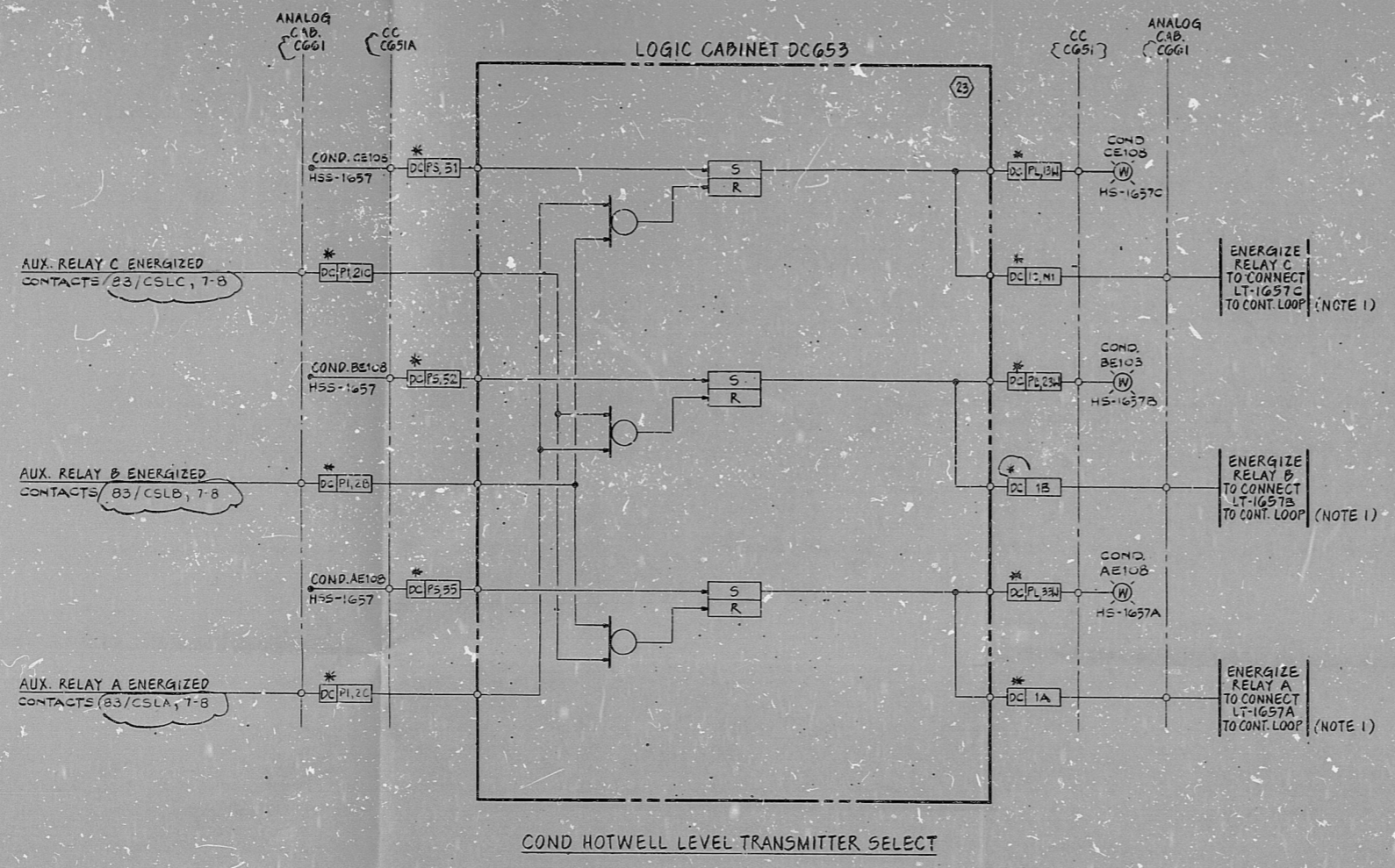


J-05-0 SHT. 16

This drawing and the design it covers are the property of BECHTEL. They are hereby loaned and on the borrower's express agreement that they will not be reproduced, copied, loaned, exhibited, nor used except in the limited way and private use permitted by any written consent given by the lender to the borrower.



COND HOTWELL LEVEL TRANSMITTER SELECT

HSS-1657	
COND. CE 108	(W)
COND. DE 108	(W)
COND. AE 108	(W) CC 651A
MOMENTARY	

NOTES:
1. CONDENSER LEVEL TRANSMITTER SELECT RELAY CONTACT ARE ALSO SHOWN IN REF. 7.

PRO APERTURE CARD

△					
△					
△					
△	DESIGN FREEZE ISSUE				
△	REVISED AS NOTED				
△	ISSUED FOR CONSTRUCTION				
No.	DATE	REVISIONS	BY	CHKD	DESIGN
SCALE	NONE	DESIGNED	RTD	DRAWN	WL
BECHTEL SAN FRANCISCO					
PUBLIC SERVICE ELECTRIC AND GAS COMPANY HOPE CREEK GENERATING STATION					
LOGIC DIAGRAM CONDENSATE SYSTEM COND HOTWELL LEVEL TRANSMITTER SELECT					
JOB No.	10855	DRAWING No.	J-05-0 SHT 16	REV.	1

S/II-AD

22 x 34 "O" SIZE

RIDS

8307270553

