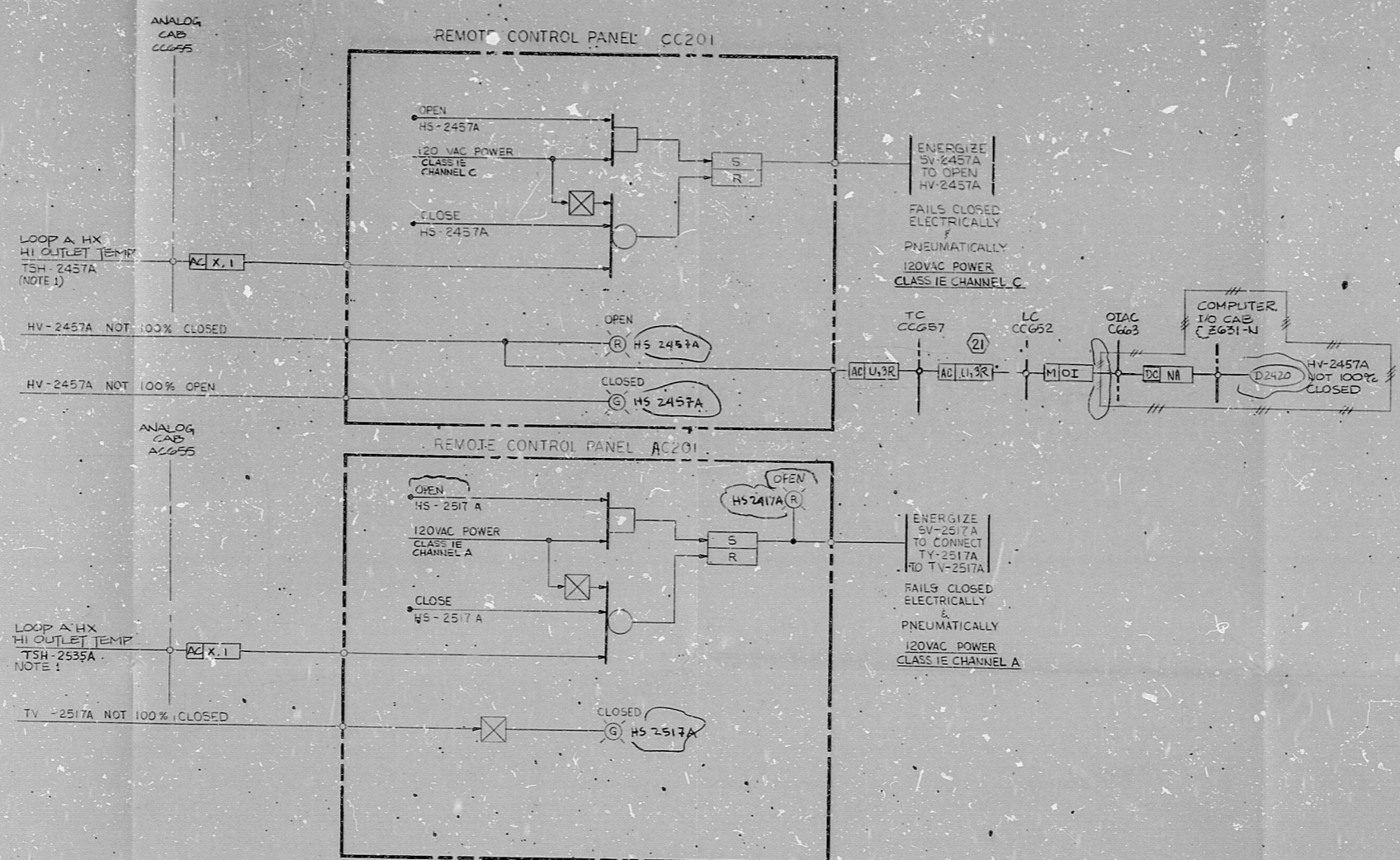
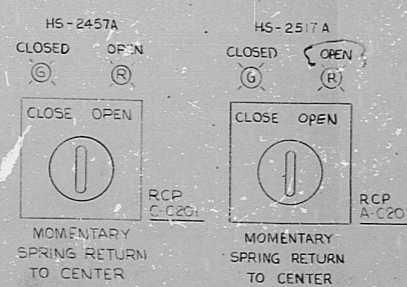


J-11-0 SHT. 21

NOTES:
1. CONTACT OPENS UPON CONDITION STATED.



LOOP A BYPASS SHUTOFF VALVES HV-2457A & TV-2517A



CROSS REFERENCE TABLE

SERVICE	HAND SWITCH	REMOTE CONTROL PANEL	SOL V	CONTROL VALVE	TEMP SW	ANALOG CAB (CLASS IE)	CLASS IE CHANNEL	COMPUTER I/O CAB	COMPUTER POINT ID
LOOP A BYPASS	HS-2457A	CC201	SV-2457A	HV-2457A	TSH-2457A	CC655	C	Later	D2420
LOOP B BYPASS	HS-2517A	AC201	SV-2517A	TV-2517A	TSH-2535A	AC655	A	NA	NA
LOOP A BYPASS	HS-2457B	DC201	SV-2457B	HV-2457B	TSH-2457B	DC655	D	Later	D2421
LOOP B BYPASS	HS-2517B	BC201	SV-2517B	TV-2517B	TSH-2535B-1	BC655	B	NA	NA

NO.	DATE	REVISIONS	BY	CHKD	ENGR	DRWG	APPR
2/6/82		DESIGN FREEZE ISSUE	OF	JD	DP	DP	JK
2/23/81		REVISED I/O CABLE INTERFACE AND AS NOTED	JK	CL	CL	CL	CL
1/17/83		INCORPORATED DSN #1	JK	CL	CL	CL	CL
1/17/87		REVISED AS NOTED	JK	CL	CL	CL	CL
3/6/77		ISSUED FOR CONSTRUCTION	JK	CL	CL	CL	CL

SCALE: NONE

DESIGNED: IJL

DRAWN: EMG

BECHTEL
SAN FRANCISCO

PUBLIC SERVICE ELECTRIC AND GAS COMPANY
HOPE CREEK GENERATING STATION

LOGIC DIAGRAM
SAFETY AUXILIARIES COOLING
SAFES HX BYPASS SHUTOFF VALVES

JOB No. 10855 DRAWING No. J-11-0 SHT. 21 REV. 4 Q

This drawing and the design it covers are the property of BECHTEL. They are merely loaned and on the borrower's express agreement that they will not be reproduced, copied, loaned, exhibited, nor used except in the limited way and private use permitted by any written consent given by the lender to the borrower.

RIDS

8307270389

