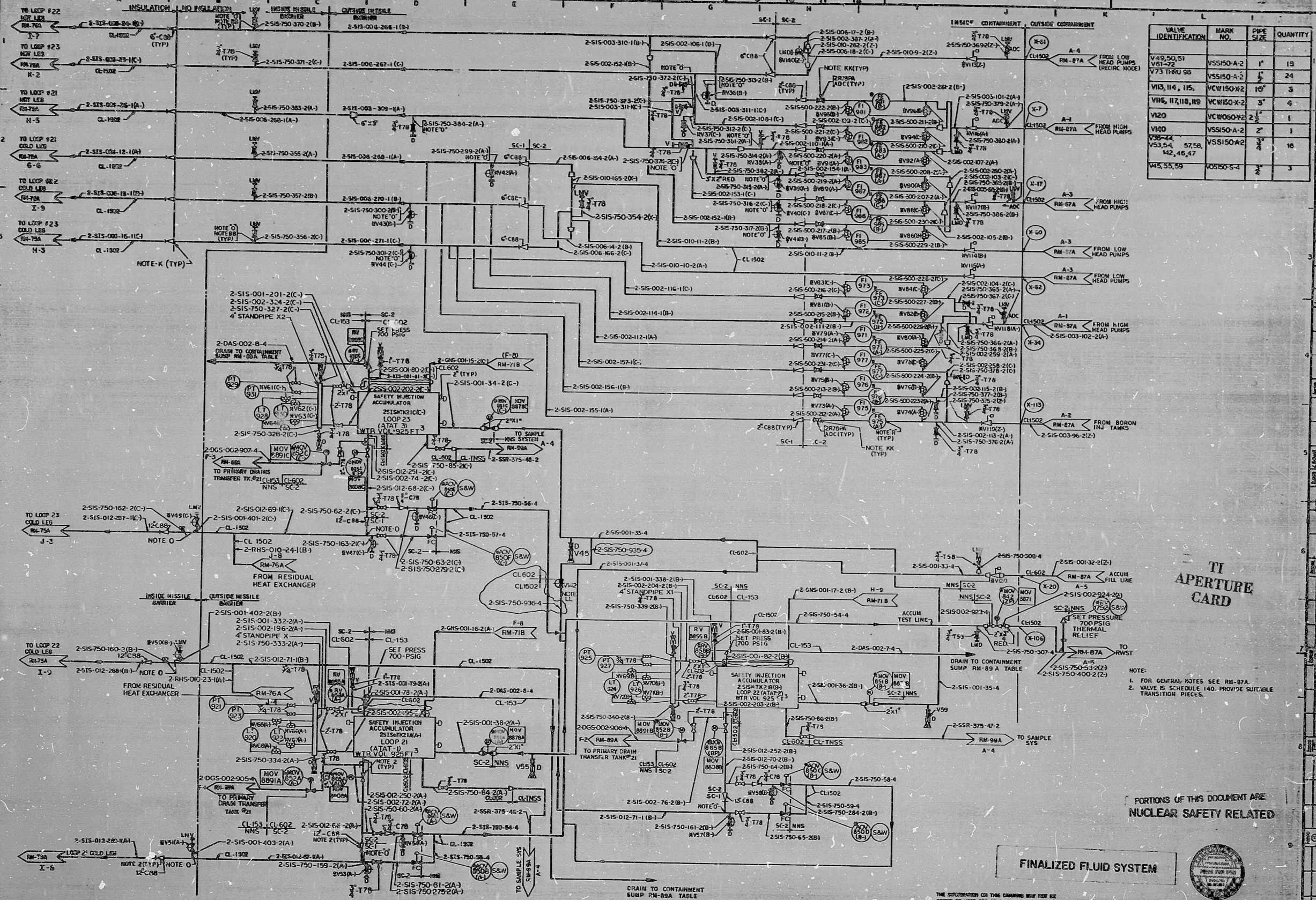


No. 10080-RM-87B



VALVE IDENTIFICATION	MARK NO.	PIPE SIZE	QUANTITY
V49, 50, 51	VSS150-A-2	1"	10
V73 THRU 95	VSS150-A-2	1"	24
V16, 114, 115	VCW150-X-2	1 1/2"	3
V16, 114, 115, 119	VCW150-X-2	3"	4
V120	VCW150-X-2	2"	1
V160	VSS150-A-2	2"	1
V33, 54, 57, 58, 42, 46, 47	VSS150-A-2	3"	10
V45, 55, 59	VSS150-S-4	3"	3

TI APERTURE CARD

NOTE:
1. FOR GENERAL NOTES SEE RM-87A.
2. VALVE SCHEDULE 140. PROVIDE SUITABLE TRANSITION PIECES.

PORTIONS OF THIS DOCUMENT ARE NUCLEAR SAFETY RELATED

FINALIZED FLUID SYSTEM

THE INFORMATION ON THIS DRAWING MAY BE USED FOR OTHER THAN THE ORIGINAL PURPOSE OR BE SUBJECT TO THE PLANT SAFETY DEPARTMENT'S REVIEW.

13	REVISIONS	DATE	BY	DESCRIPTION
12	CHANGES 12241-RM-87B	12-21-78
11	CHANGES 12241-RM-87B	12-21-78
10	CHANGES 12241-RM-87B	12-21-78
9	CHANGES 12241-RM-87B	12-21-78
8	CHANGES 12241-RM-87B	12-21-78
7	CHANGES 12241-RM-87B	12-21-78
6	CHANGES 12241-RM-87B	12-21-78
5	CHANGES 12241-RM-87B	12-21-78
4	CHANGES 12241-RM-87B	12-21-78
3	CHANGES 12241-RM-87B	12-21-78
2	CHANGES 12241-RM-87B	12-21-78
1	CHANGES 12241-RM-87B	12-21-78

ISSUED FOR PRODUCTION
 DATE: 12-21-78
 BY: [Signature]
 CHECKED: [Signature]
 APPROVED: [Signature]

DUQUESNE LIGHT COMPANY
 BEAVER VALLEY POWER STATION UNIT NO. 2
 AA No. 10080-RM-87B
 S&W DWG. NO. 12241-RM-87B-13

841190547

PDR RIDS

841190547

