

11

11

8.5

8.5

11

17

11

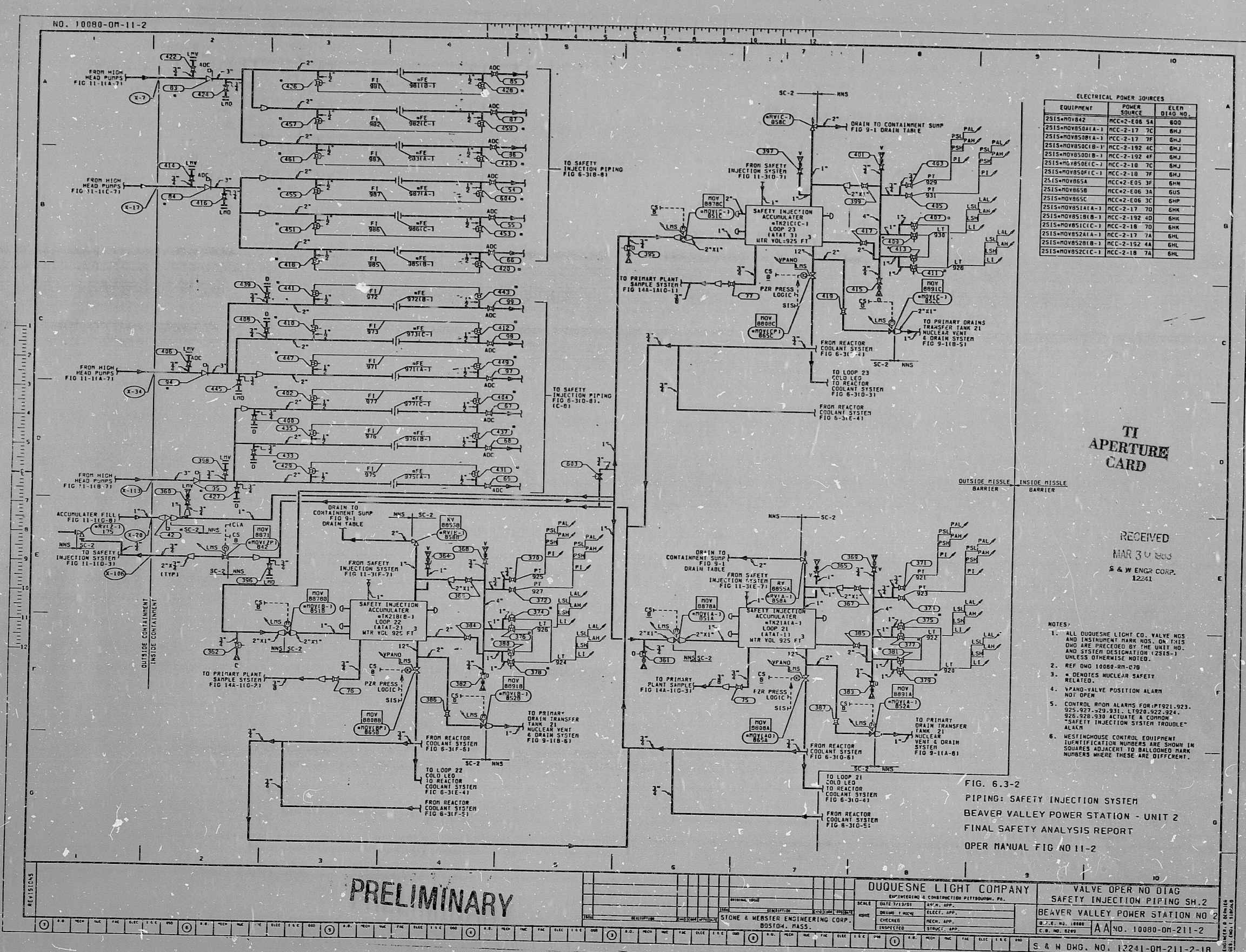
11

8.5

8.5

11

17



ELECTRICAL POWER SOURCES

EQUIPMENT	POWER SOURCE	ELEN	DEAG NO.
2S1S-MOV842	MCC-2-E06 5A		800
2S1S-MOV850A1-A-1	MCC-2-17 7C		8HJ
2S1S-MOV850B1-A-1	MCC-2-17 7F		8HJ
2S1S-MOV850C1-B-1	MCC-2-192 4C		8HJ
2S1S-MOV850D1-B-1	MCC-2-18 7C		8HJ
2S1S-MOV850E1-C-1	MCC-2-18 7F		8HJ
2S1S-MOV850F1-C-1	MCC-2-E05 3F		8HW
2S1S-MOV855A	MCC-2-E06 3A		8US
2S1S-MOV855B	MCC-2-E06 3C		8HP
2S1S-MOV851A1-A-1	MCC-2-17 7D		8HK
2S1S-MOV851B1-B-1	MCC-2-192 4D		8HK
2S1S-MOV851C1-C-1	MCC-2-18 7D		8HK
2S1S-MOV852A1-A-1	MCC-2-17 7A		8HL
2S1S-MOV852B1-B-1	MCC-2-192 4A		8HL
2S1S-MOV852C1-C-1	MCC-2-18 7A		8HL

TI APERTURE CARD

RECEIVED
MAR 30 1985
S & W ENGR CORP.
12241

- NOTES:
1. ALL DUQUESNE LIGHT CO. VALVE NOS AND INSTRUMENT MARK NOS. ON THIS DWG ARE PRECEDED BY THE UNIT NO. UNLESS OTHERWISE NOTED.
 2. REF DWG 10080-RN-C78
 3. # DENOTES NUCLEAR SAFETY RELATED.
 4. VPAND-VALVE POSITION ALARM NOT OPEN
 5. CONTROL ROOM ALARMS FOR #P921, 923, 925, 927, 929, 931, L1928, 922, 924, 926, 928, 930 ACTIVATE A COMMON "SAFETY INJECTION SYSTEM TROUBLE" ALARM
 6. WESTINGHOUSE CONTROL EQUIPMENT IDENTIFICATION NUMBERS ARE SHOWN IN SQUARES ADJACENT TO BALLOONED MARK NUMBERS WHERE THESE ARE DIFFERENT.

FIG. 6.3-2
PIPING: SAFETY INJECTION SYSTEM
BEAVER VALLEY POWER STATION - UNIT 2
FINAL SAFETY ANALYSIS REPORT
OPER MANUAL FIG NO 11-2

PRELIMINARY

DUQUESNE LIGHT COMPANY		VALVE OPER NO DIAG	
ENGINEERING & CONSTRUCTION PITTSBURGH, PA.		SAFETY INJECTION PIPING SH. 2	
SCALE	DATE	DRAWN BY	ELECT. APP.
DATE	BY	CHECKED	MECH. APP.
BY	BY	INSPECTED	STRUC. APP.
STONE & WEBSTER ENGINEERING CORP. BOSTON, MASS.		BEAVER VALLEY POWER STATION NO 2	
S & W DWG. NO. 12241-OH-211-2-1B		AA NO. 10080-OH-211-2	

8411190495

PDR RIDS

8411190495

