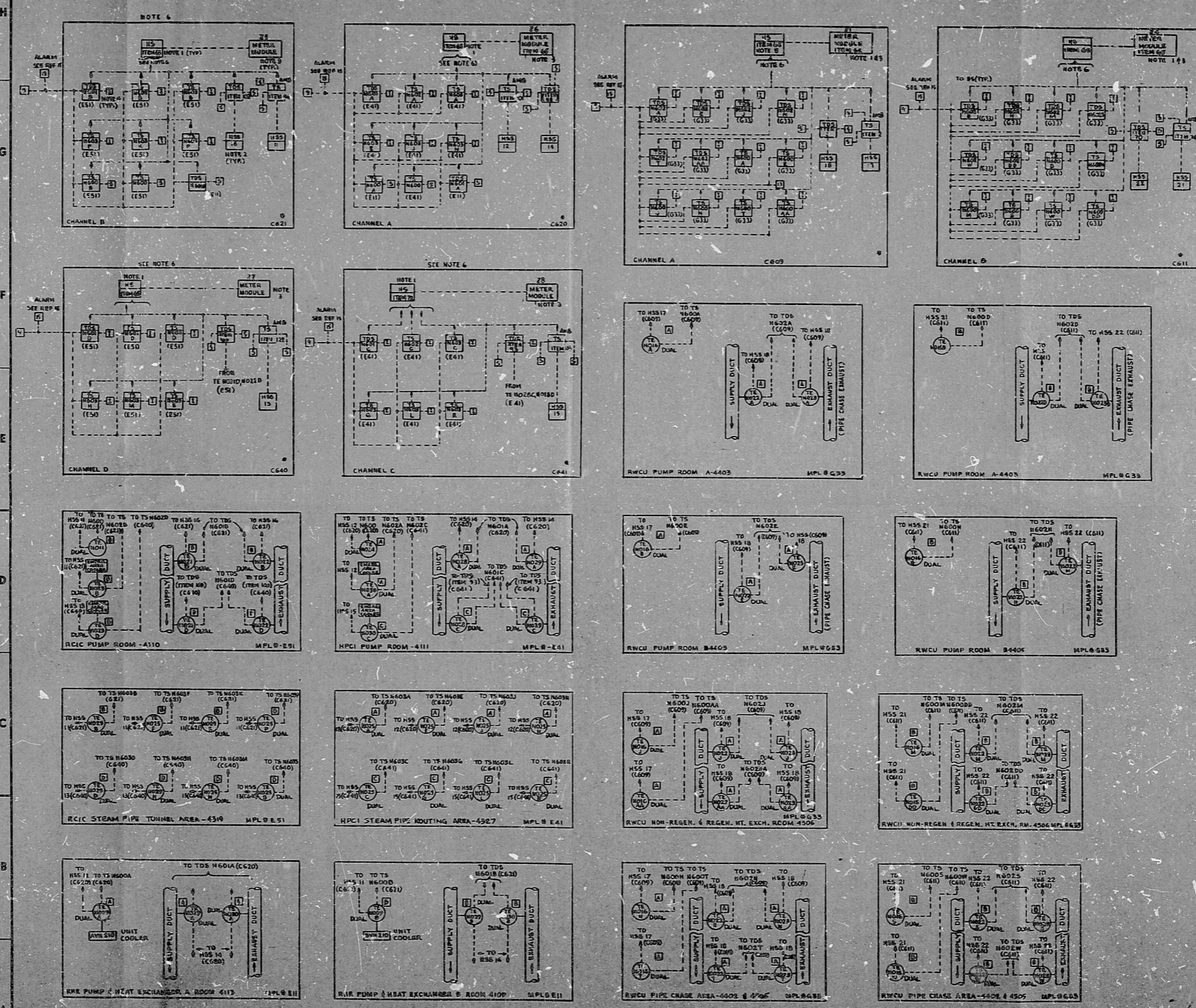


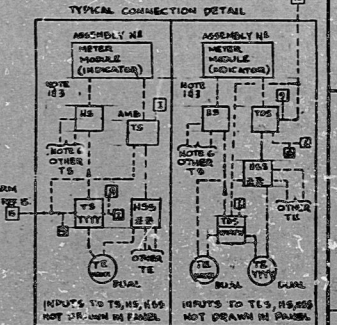
REVISED PANEL 1-52-M



CONTINUED FROM SHEET 1

10	RWC SYSTEM ELEM.	E11-1040	771E418AC
11	RWC SYSTEM ELEM.	E41-1040	771E420AC
12	RWC SYSTEM ELEM.	E51-1040	771E422AC
13	RWC SYSTEM ELEM.	G31-1040	847E36A
14	RPS SYSTEM ELEM.	C71-1020	771E414AC
15	LOGIC DIAGRAM	LATER	
16	GR. WASTE ELEMENTARY	B1-4-1000-278	846 E 461

- NOTES:
1. NS DESIGNATES A SWITCH MOUNTED IN THE METER MODULE IN EACH PANEL.
 2. HSA (A) DESIGNATES A SELECTOR SWITCH MOUNTED IN THE PANEL.
 3. METER MODULE CONTAINS SWITCH (NOTE 1) AND DUAL RANGE METER SHOWING TEMPERATURE AND TEMP. DIFFERENTIAL.
 4. OUTPUTS FROM TEMP. SWITCHES TO ISOLATION LOGICS NOTED BY [] SPARE NOTED BY []
 5. ALL TEMPERATURE ELEMENTS AND SWITCHES ARE FOR SUPPLY.
 6. SIGNALS FROM ALL TEMPERATURE SWITCHES IN THIS PANEL ARE CONNECTED TO HSA DESIGNATED IN NOTE 1.



PRO APERTURE CARD

DESIGNED BY	DATE	SCALE
CHECKED BY	DATE	SCALE
APPROVED BY	DATE	SCALE
BECHTEL SAN FRANCISCO PUBLIC SERVICE ELECTRIC AND GAS COMPANY HUNTER CREEK GENERATOR BUS STATION		
P&ID PLANT LEAK DETECTION		
FIG. NO.	REV.	DATE
10008	M-25-1	10/2/52

RIDS

8307250786

