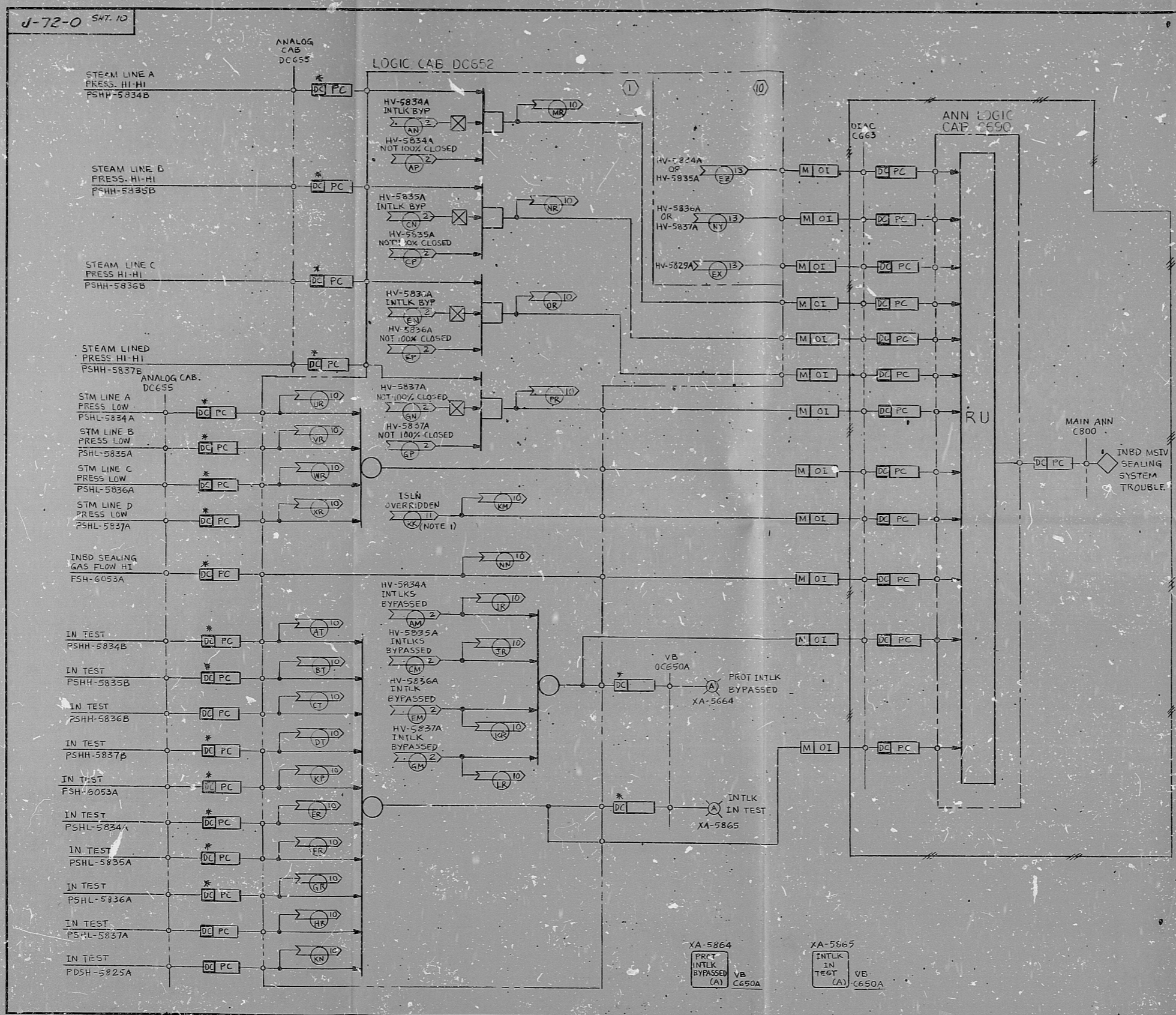


J-72-0 SHT. 10

This drawing and the design it covers are the property of BECHTEL. They are hereby loaned and on the borrower's express agreement that they will not be reproduced, copied, traced, exhibited, nor used except in the limited way and private use permitted by any written consent given by the lender to the borrower.



NOTES:  
 I. CONTACTS OPEN ON CONDITION STATED.

ARROW LETTER	COMPUTER PT	FUNCTION
UR	D4528	MSIVSS INBD SPLY PRESS A MSLA (LO)
VR	D4529	B
WR	D4530	C
XR	D4531	D
AT	D5700	MSIVSS INBD SPLY PRESS B MSLA (TEST)
BT	D5701	B
CT	D5702	C
DT	D5703	D
KP	D4523	MSIVSS INBD AIR SUPPLY FLOW
ER	D4524	MSIVSS INBD SPLY PRESS A MSLA
FR	D4525	B
GR	D4526	C
HR	D4527	D
KN	D4520	MSIVSS INBD/RPV PRESS DIFF.
MR	D4536	MSIVSS INBD ISLN TRBL HV5834A
NR	D4537	HV5835A
OR	D4538	HV5836A
PR	D4539	HV5837A
KM(NOTE)	D4451	MSIVSS INBD ISLN V'S CONT. ISLN (OVRD)
NN	D4540	MSIVSS INBD AIR SPLY FLOW (HI)
IR	D4532	MSIVSS INBD ISLN BYP HV5834A
JR	D4533	HV5835A
KR	D4534	HV5836A
LR	D4535	HV5837A

No.	DATE	REVISIONS	BY	CHK'D	DESIGN	ENGR	PROJ	APPR
SCALE	NONE	DESIGNED	P.A.S.	DRAWN	F.A.T.			

**BECHTEL**  
SAN FRANCISCO

**PUBLIC SERVICE ELECTRIC AND GAS COMPANY**  
**HOPE CREEK GENERATING STATION**

**LOGIC DIAGRAM**  
**MSIV SEALING SYSTEM**

INBD STATUS LIGHTS & TROUBLE ALARM

JOB No.	DRAWING No.	REV.
10855	J-72-0 SHT. 10	3 Q

PRO APERTURE CARD

XA-5864  
 PRCT INTLK BYPASSED (A) VB C650A

XA-5865  
 INTLK IN TEST (A) VB C650A

22"  
17"  
11"  
8.5"  
11"  
17"  
22"

22"  
17"  
11"  
8.5"  
11"  
17"  
22"

RIDS

8307250161

