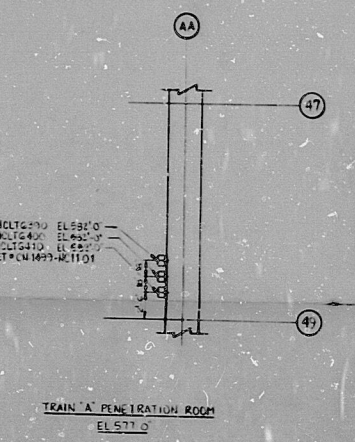
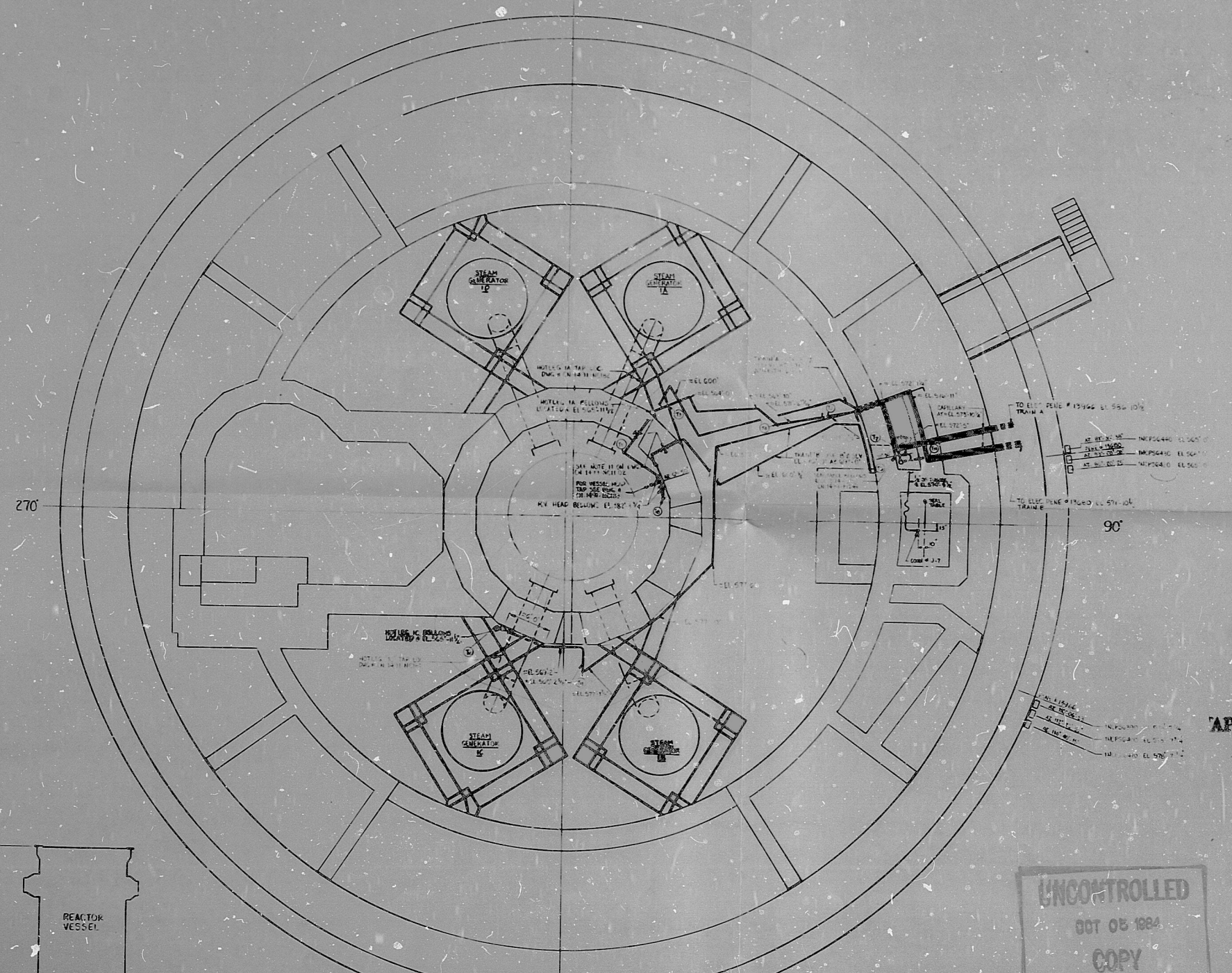
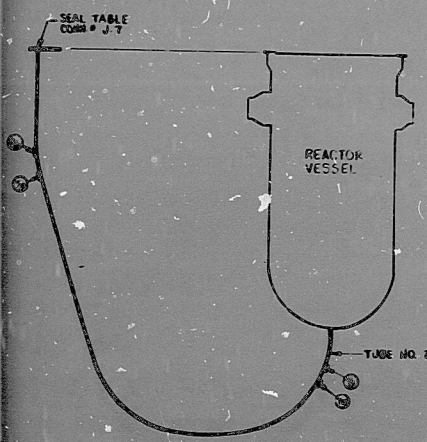
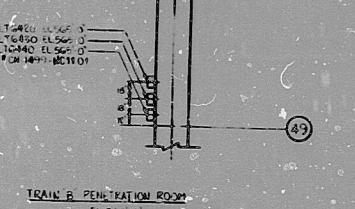




NOTE
SEE DWG. CM 1859-041 FOR METHOD OF 180° AND 90° POINTS LOCATION AND FOR MORE DETAILS ONLY. THESE ARE NOT FOR REFERENCE ONLY.



TI APERTURE CARD



INSTRUMENTATION POINTS LIST
REACTOR VESSEL
TUBE NO. 2
CORR. J. 7

UNCONTROLLED
OCT 05 1984
COPY

NO	INSTR. NO.	ELEV.	AZIMUTH	RAIUS
T1	INCRD640	592.176	41.57	11.242
T2	INCRD640	585.176	41.57	11.242
T3	INCRD640	564.776	41.57	11.242
T4	INCRD640	561.776	41.57	11.242
T5	INCRD650	582.176	—	—
T6	INCRD650	550.176	—	—
T7	INCRD650	575.176	72.44	44.57
T8	INCRD650	581.176	85.4	12.276
T9	INCRD650	580.176	200.47	41.0
T10	INCRD650	567.176	200.52	17.4
T11	INCRD650	575.176	172.57	22.0
T12	INCRD650	540.176	—	—
T13	INCRD650	576.176	75.44	40.4076

8410100274

QA CONDITION 1
ISSUED COPY RELEASED

NO.	DESCRIPTION	DATE	BY	CHKD.
1	REV. PER V&E APPROVAL	5/25
2	REV. PER INSTRUMENTATION	5/25
3	REV. AS PER INSTRUMENTATION	5/25
4	REV. INSTRUMENTATION	5/25
5	REV. INSTRUMENTATION	5/25
6	REV. INSTRUMENTATION	5/25
7	REV. INSTRUMENTATION	5/25
8	REV. INSTRUMENTATION	5/25
9	REV. INSTRUMENTATION	5/25
10	REV. INSTRUMENTATION	5/25
11	REV. INSTRUMENTATION	5/25
12	REV. INSTRUMENTATION	5/25
13	REV. INSTRUMENTATION	5/25
14	REV. INSTRUMENTATION	5/25
15	REV. INSTRUMENTATION	5/25
16	REV. INSTRUMENTATION	5/25
17	REV. INSTRUMENTATION	5/25
18	REV. INSTRUMENTATION	5/25
19	REV. INSTRUMENTATION	5/25
20	REV. INSTRUMENTATION	5/25
21	REV. INSTRUMENTATION	5/25
22	REV. INSTRUMENTATION	5/25
23	REV. INSTRUMENTATION	5/25
24	REV. INSTRUMENTATION	5/25
25	REV. INSTRUMENTATION	5/25
26	REV. INSTRUMENTATION	5/25
27	REV. INSTRUMENTATION	5/25
28	REV. INSTRUMENTATION	5/25
29	REV. INSTRUMENTATION	5/25
30	REV. INSTRUMENTATION	5/25
31	REV. INSTRUMENTATION	5/25
32	REV. INSTRUMENTATION	5/25
33	REV. INSTRUMENTATION	5/25
34	REV. INSTRUMENTATION	5/25
35	REV. INSTRUMENTATION	5/25
36	REV. INSTRUMENTATION	5/25
37	REV. INSTRUMENTATION	5/25
38	REV. INSTRUMENTATION	5/25
39	REV. INSTRUMENTATION	5/25
40	REV. INSTRUMENTATION	5/25
41	REV. INSTRUMENTATION	5/25
42	REV. INSTRUMENTATION	5/25
43	REV. INSTRUMENTATION	5/25
44	REV. INSTRUMENTATION	5/25
45	REV. INSTRUMENTATION	5/25
46	REV. INSTRUMENTATION	5/25
47	REV. INSTRUMENTATION	5/25
48	REV. INSTRUMENTATION	5/25
49	REV. INSTRUMENTATION	5/25
50	REV. INSTRUMENTATION	5/25
51	REV. INSTRUMENTATION	5/25
52	REV. INSTRUMENTATION	5/25
53	REV. INSTRUMENTATION	5/25
54	REV. INSTRUMENTATION	5/25
55	REV. INSTRUMENTATION	5/25
56	REV. INSTRUMENTATION	5/25
57	REV. INSTRUMENTATION	5/25
58	REV. INSTRUMENTATION	5/25
59	REV. INSTRUMENTATION	5/25
60	REV. INSTRUMENTATION	5/25
61	REV. INSTRUMENTATION	5/25
62	REV. INSTRUMENTATION	5/25
63	REV. INSTRUMENTATION	5/25
64	REV. INSTRUMENTATION	5/25
65	REV. INSTRUMENTATION	5/25
66	REV. INSTRUMENTATION	5/25
67	REV. INSTRUMENTATION	5/25
68	REV. INSTRUMENTATION	5/25
69	REV. INSTRUMENTATION	5/25
70	REV. INSTRUMENTATION	5/25
71	REV. INSTRUMENTATION	5/25
72	REV. INSTRUMENTATION	5/25
73	REV. INSTRUMENTATION	5/25
74	REV. INSTRUMENTATION	5/25
75	REV. INSTRUMENTATION	5/25
76	REV. INSTRUMENTATION	5/25
77	REV. INSTRUMENTATION	5/25
78	REV. INSTRUMENTATION	5/25
79	REV. INSTRUMENTATION	5/25
80	REV. INSTRUMENTATION	5/25
81	REV. INSTRUMENTATION	5/25
82	REV. INSTRUMENTATION	5/25
83	REV. INSTRUMENTATION	5/25
84	REV. INSTRUMENTATION	5/25
85	REV. INSTRUMENTATION	5/25
86	REV. INSTRUMENTATION	5/25
87	REV. INSTRUMENTATION	5/25
88	REV. INSTRUMENTATION	5/25
89	REV. INSTRUMENTATION	5/25
90	REV. INSTRUMENTATION	5/25
91	REV. INSTRUMENTATION	5/25
92	REV. INSTRUMENTATION	5/25
93	REV. INSTRUMENTATION	5/25
94	REV. INSTRUMENTATION	5/25
95	REV. INSTRUMENTATION	5/25
96	REV. INSTRUMENTATION	5/25
97	REV. INSTRUMENTATION	5/25
98	REV. INSTRUMENTATION	5/25
99	REV. INSTRUMENTATION	5/25
100	REV. INSTRUMENTATION	5/25

DUKE POWER COMPANY
CATAMBA NUCLEAR STATION
UNIT 1
REACTOR VESSEL LEVEL
INSTRUMENTATION SYSTEM

17
11
8.5
8.5
11
17

17
11
8.5
8.5
11
17

PDR RIDS

8410100274

