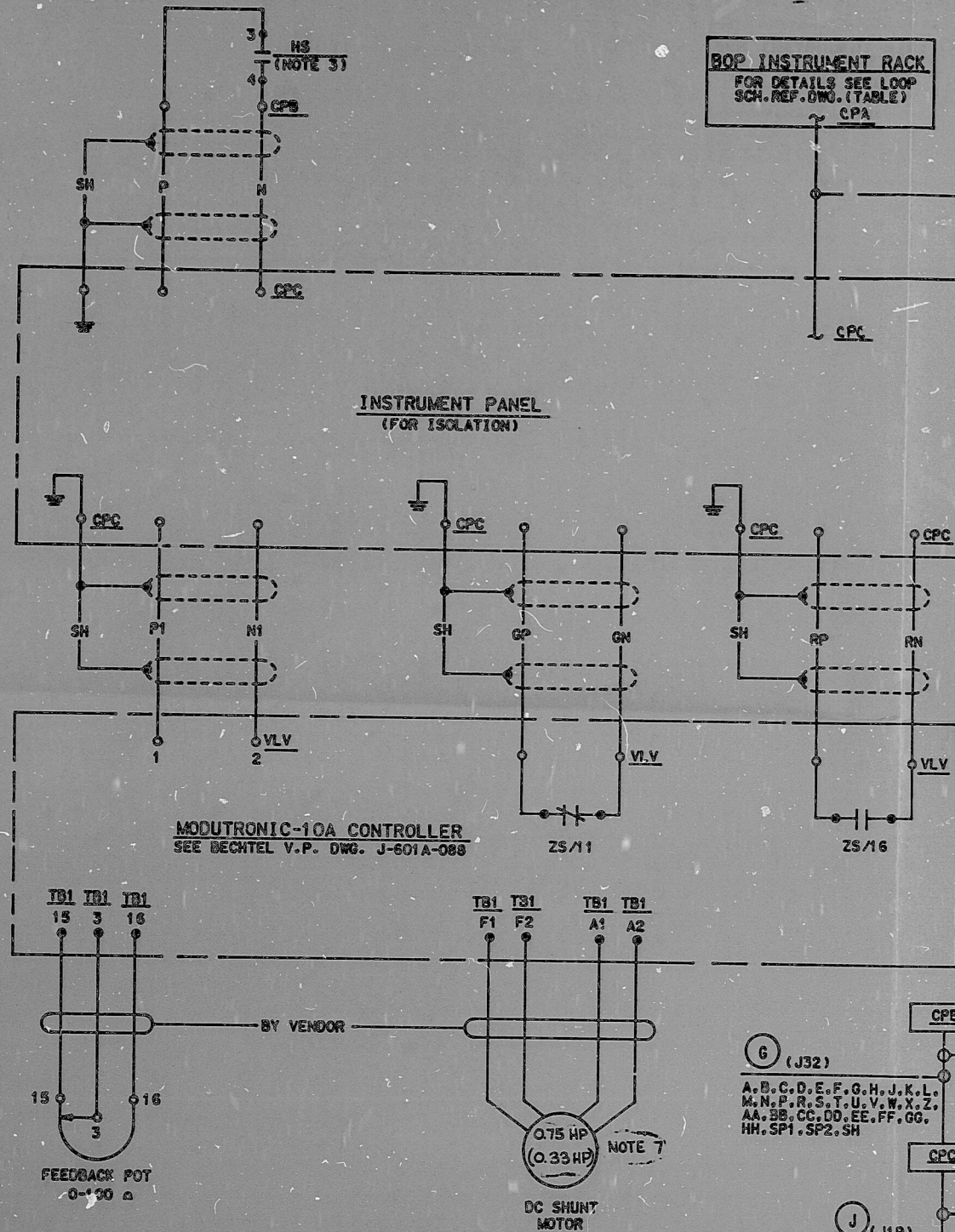


SNUPPS FORMAT  
REV. 10/13/81

This drawing and the design it covers is the property of the utility which are participating in the design project. It is loaned to the contractor's design engineer and private use permitted by written consent given by the utility to the borrower. It will not be reproduced, copied, loaned, exhibited or used in any way in the field or copy in the field without the written consent given by the utility to the borrower.

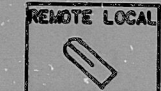


**REFERENCE DWGS:**

J-02AL03  
M-02A.01  
J-601A-165

CONTACT HANDLE END	REMOTE	LOCAL	
1-2	X		SPARE
3-4		X	THIS DWG.
5-6	X		SPARE
7-8		X	SPARE
9-10	X		SPARE
11-12		X	SPARE
13-14	X		SPARE
15-16		X	SPARE

HAND SWITCH  
HS NO. - SEE TABLE A

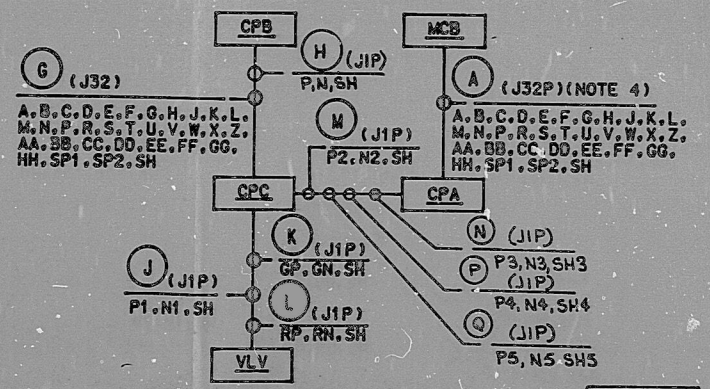


ELECTROSWITCH  
CAT. NO. ZOKD-125404-001  
MAINTAINED CONTACTS

ROTOR	LIMIT SWITCH CONTACT DEVELOPMENT		FUNCTION
	VALVE POSITION		
OPEN	FULL OPEN	FULL CLOSED	BYPASS CKT
			OPEN CKT
CLOSE	FULL OPEN	FULL CLOSED	BYPASS CKT
			SPARE
INT. 1			NOTE 5
			SPARE
INT. 2			NOTE 6
			SPARE
17			SPARE
			SPARE
18			SPARE
			SPARE

- 1. HKA & HKB INCLUDE INTEGRAL INDICATING LIGHTS. SEE LOOP SCHEME REFERENCE DRAWING FOR DETAILS.
- 2. LIMIT SW IS SHOWN AS IT WOULD BE WITH VALVE IN FULL CLOSED POSITION.
- 3. WITH HAND SW IN LOCAL POSITION, CONTROLLER HKB WILL BE SELECTED; IN REMOTE POSITION, CONTROLLER HKA IS SELECTED.
- 4. FOXBORO CABLE SUPPLIED WITH CONTROLLER TO BE TERMINATED AT MCD USING MS STYLE CONNECTOR.
- 5. STATUS PANEL INPUT TO COMPONENT LEVEL WHITE LAMP. REFER TO E-035A03.
- 6. STATUS PANEL INPUT TO COMPONENT LEVEL AMBER LAMP. REFER TO E-035A03.
- 7. HP RATINGS IN PARENTHESIS APPLICABLE TO WOLF CREEK SITE.

**TI APERTURE CARD**



(G) (J32)  
A, B, C, D, E, F, G, H, J, K, L, M, N, P, R, S, T, U, V, W, X, Z, AA, BB, CC, DD, EE, FF, GG, HH, SP1, SP2, SH

(A) (J32P) (NOTE 4)  
A, B, C, D, E, F, G, H, J, K, L, M, N, P, R, S, T, U, V, W, X, Z, AA, BB, CC, DD, EE, FF, GG, HH, SP1, SP2, SH

TABLE A

SCHEME NO.	HKA LOC. - MCB	HKA NO. (NOTE 1)	HS & HKB LOC. - CPC	HKB NO. (NOTE 1)	HS NO.	INSTR. PNL. - CPA	VALVE LOC. - VLV	LOOP SCH. REF. DWG.	INSTR. PNL. - CPC
4AL103A	RLOOS	ALHX5A	RP116B	ALHX5B	ALHX5	RPO53BC	ALHV5	J-110-0349 J-110-0871 J-110-0439	RP147D

REVIEW LEVEL 3

NO.	DATE	REVISION	BY	CHKD	APP'D	DATE

SCALE: ~

**BECHTEL**  
GAITHERSBURG, MARYLAND

**SNUPPS**

SCHEMATIC DIAGRAM  
AUX FEEDWATER PUMPS, DISCHARGE CONTROL-MOTOP OPER. VALVE

UTILITY DRAWING NO. REV

JOB NO. 10466  
BECHTEL DRAWING NO. E-03AL03B(Q)

DFN-154.4 1E03AL03B .DWG

I certify that the image contained on this frame was made in the normal and regular course of business, on the date stated below and that it is an accurate reproduction of the document(s) submitted to Micrographics.  
DATE 11-10-81 OPERATOR *ayazee*

16X

PDR RIDS

8410090291

