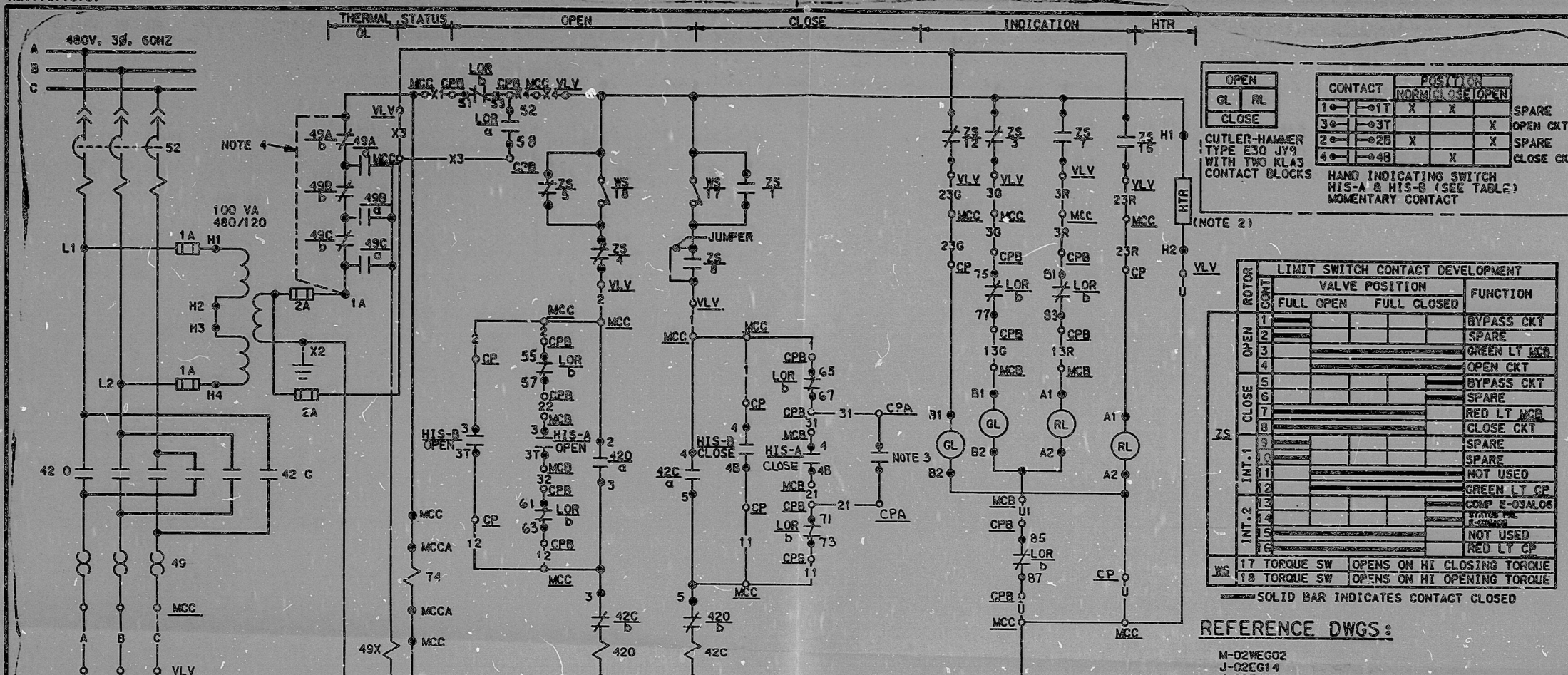


SNUPPG FORMAT
REV. 10/13/81

This drawing and the design it covers is the property of the utilities which are participating in the SNUPPG Project. It is loaned to the borrower, express agreement that it will not be reproduced, copied, loaned, exhibited, or used except in the limited way and private use permitted by written consent given by the SNUPPG utilities to the borrower.



CONTACT	POSITION		SPARE
	NORM	CLOSE/OPEN	
1-011	X	X	SPARE
2-021	X	X	SPARE
3-031	X	X	SPARE
4-041	X	X	SPARE

CUTLER-HAMMER TYPE E30 JY3 WITH TWO KLA3 CONTACT BLOCKS

HAND INDICATING SWITCH HIS-A & HIS-B (SEE TABLE) MOMENTARY CONTACT

LIMIT SWITCH CONTACT DEVELOPMENT	VALVE POSITION		FUNCTION
	FULL OPEN	FULL CLOSED	
1			BYPASS CKT
2			SPARE
3			GREEN LT MCB
4			OPEN CKT
5			BYPASS CKT
6			SPARE
7			RED LT MCB
8			CLOSE CKT
9			SPARE
10			SPARE
11			NOT USED
12			GREEN LT CP
13			COMP E-03AL08
14			STATUS PNL
15			NOT USED
16			RED LT CP
17	TORQUE SW OPENS ON HI CLOSING TORQUE		
18	TORQUE SW OPENS ON HI OPENING TORQUE		

WS 17 TORQUE SW OPENS ON HI CLOSING TORQUE
WS 18 TORQUE SW OPENS ON HI OPENING TORQUE

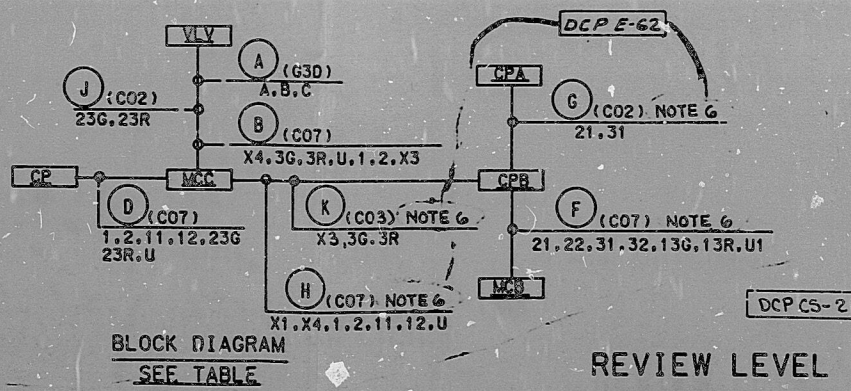
SOLID BAR INDICATES CONTACT CLOSED

REFERENCE DWGS:

- M-02WEG02
- J-02EG14
- J-02EG08
- 6. LIMIT CABLE SCHEME NO. IS PREFIXED WITH "1" FOR FIG 1E AND "2" FOR UE UNIT.
- 5. FOR LOCKOUT RELAY CONTACT DEVELOPMENT, SEE DWG. E-03RP12.
- 4. JUMPER TO BE INSTALLED PRIOR TO CORE LOAD-NG.
- 3. CONTACT CLOSING ON LOW SUCTION PRESS. SIGNAL FROM ESFAS. SEE TABLE B BECHTEL V.P. DWG. NO. J-104-0042.
- 2. HEATER 25 WATTS. MFR. TYPE WARD LEONARD P/N25F750WL OR EQUAL.
- 1. VALVE IS SHOWN IN FULL CLOSED POSITION.

NOTES:

NO.	DATE	REVISIONS	BY	CHK	DESIGN	ENGR	PROJ	DRWN
1								
<p>SCALE ~ DESIGNED DG ORNAN CAD</p> <p>BECHTEL GAITHERSBURG, MARYLAND</p> <p>SNUPPG</p> <p>SCHEMATIC DIAGRAM MOTOR OPERATED VALVE</p>								
UTILITY DRAWING NO.			REV					
10466			E-03AL02B(Q) 1					
DRAWING APPLICABLE TO UNITS 11 12 13 14 15 16 17 18								



LOR NO. (U.E.)	88XRPS
LOR. NO. (KORE)	86XRPS
LOR.	RP335
LOCATION-CPB	NG04GNF1
74 REL. LOC.-MCCA	NG04CGF1
VLV. POWER SUPPLY TO STATUS PNL. REF. DWG.	E-03SA10
VALVE MOTOR HP	.7HP
ESFAS RELAY B CONTACT NO. (NOTE 3)	K121
ESFAS REL. LOC.-CPA	SA03RB
HIS-B NUMBER	ALH1334D
HIS-A NUMBER	ALH1334A
HIS-B LOC.-CP	RP118B
MCC LOCATION- M.C.C.	NG04GNF1
HIS-A LOC.-MCC	RL005
VLV NO. - V.V.	ALHV34
SCHEME NO.	4AL302A

BLOCK DIAGRAM
SEE TABLE

REVIEW LEVEL 3

I certify that the image contained on this frame was made in the normal and regular course of business, on the date stated below and that it is an accurate reproduction of the document(s) submitted to Micrographics.
DATE 6/19/83 OPERATOR Mark Bernard SUPERVISOR William Over



PDR RIDS

8410090283

