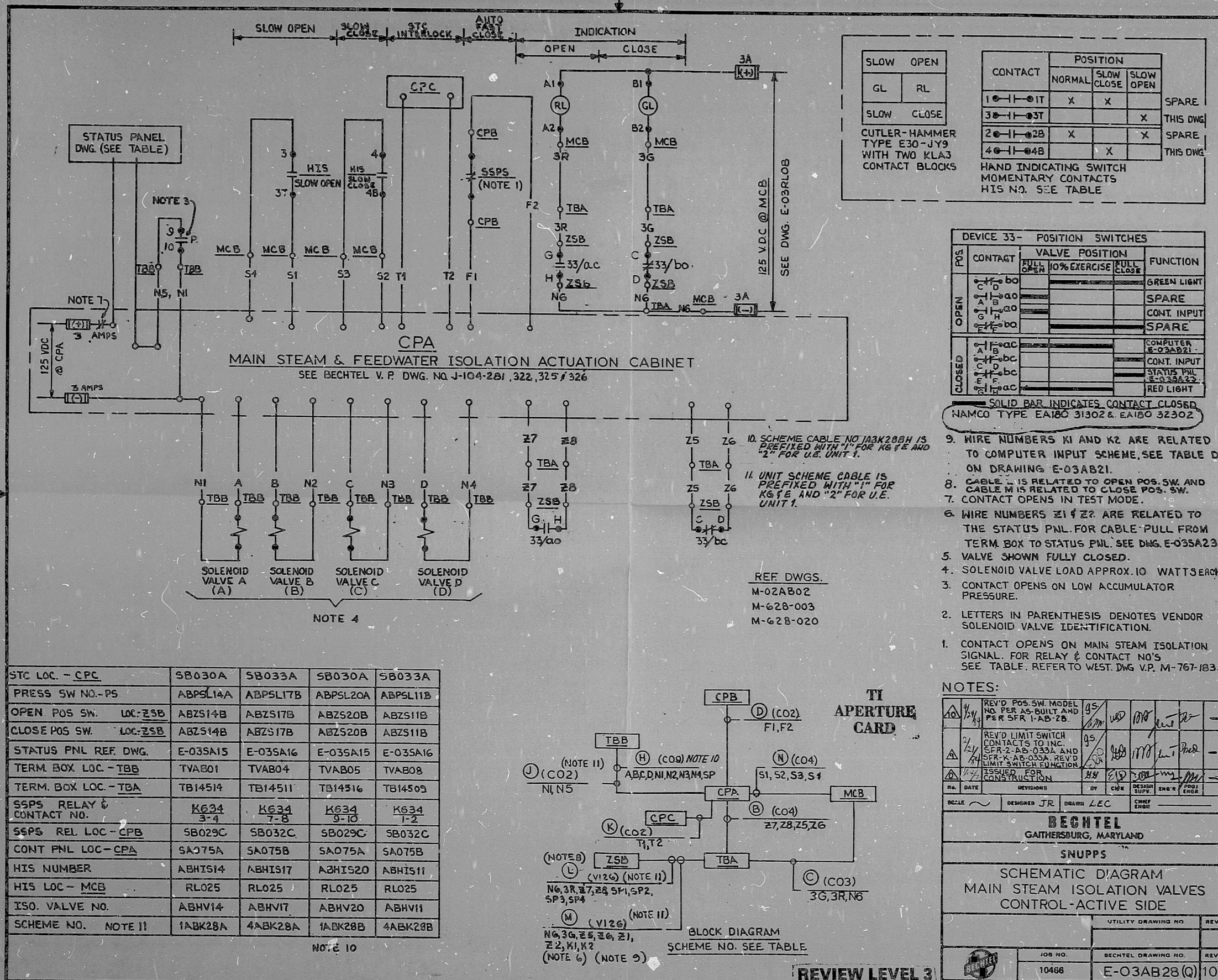


This drawing and the design it covers is the property of the Utilities which are participating in the SNUPPS Project. It is loaned to the borrower's express agreement that it will not be reproduced, copied, loaned, exhibited, or used except in the limited way and private use permitted by written consent given by the SNUPPS Utilities to the borrower.



SLOW OPEN		POSITION				
GL	RL	CONTACT	NORMAL	SLOW CLOSE	SLOW OPEN	
		1-1-01T	X	X		SPARE
		3-1-03T			X	THIS DWG
		2-1-02B	X		X	SPARE
		4-1-04B		X		THIS DWG

CUTLER-HAMMER TYPE E30-JY9 WITH TWO KLA3 CONTACT BLOCKS

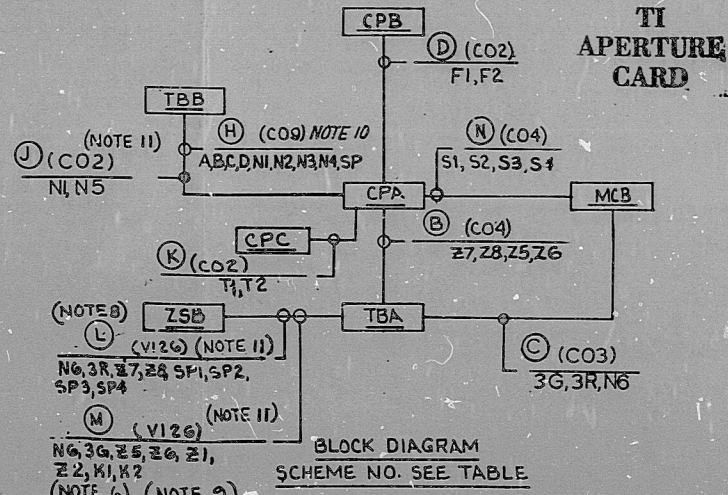
HAND INDICATING SWITCH MOMENTARY CONTACTS HIS NO. SEE TABLE

DEVICE 33- POSITION SWITCHES				
POS	CONTACT	VALVE POSITION		FUNCTION
		FULL OPEN	10% EXERCISE FULL CLOSE	
OPEN	C-1-01			GREEN LIGHT
	A-1-02			SPARE
	E-1-03			CONT. INPUT
	F-1-04			SPARE
CLOSED	A-1-05			COMPUTER E-03AB21
	C-1-06			CONT. INPUT
	E-1-07			STATUS PNL E-03BA22
	F-1-08			RED LIGHT

SOLID BAR INDICATES CONTACT CLOSED
NAMCO TYPE EA180 31302 & EA180 32302

- CONTACT OPENS ON MAIN STEAM ISOLATION SIGNAL. FOR RELAY & CONTACT NO'S SEE TABLE. REFERTO WEST. DWG V.P. M-767-1B3.
- LETTERS IN PARENTHESIS DENOTES VENDOR SOLENOID VALVE IDENTIFICATION.
- CONTACT OPENS ON LOW ACCUMULATOR PRESSURE.
- SOLENOID VALVE LOAD APPROX. 10 WATTSEACH.
- VALVE SHOWN FULLY CLOSED.
- WIRE NUMBERS Z1 & Z2 ARE RELATED TO THE STATUS PNL. FOR CABLE PULL FROM TERM. BOX TO STATUS PNL. SEE DWG. E-03SA23.
- CONTACT OPENS IN TEST MODE.
- CABLE L IS RELATED TO OPEN POS. SW. AND CABLE M IS RELATED TO CLOSE POS. SW.
- CABLE I IS RELATED TO OPEN POS. SW. AND CABLE M IS RELATED TO CLOSE POS. SW.
- WIRE NUMBERS K1 AND K2 ARE RELATED TO COMPUTER INPUT SCHEME, SEE TABLE D ON DRAWING E-03AB21.

STC LOC. - CPC	SB030A	SB033A	SB030A	SB033A
PRESS SW NO.-PS	ABPSL14A	ABPSL17B	ABPSL20A	ABPSL11B
OPEN POS SW. LOC-ZSB	ABZS14B	ABZS17B	ABZS20B	ABZS11B
CLOSE POS SW. LOC-ZSB	ABZS14B	ABZS17B	ABZS20B	ABZS11B
STATUS PNL REF. DWG.	E-03SA15	E-03SA16	E-03SA15	E-03SA16
TERM. BOX LOC - TBB	TVAB01	TVAB04	TVAB05	TVAB08
TERM. BOX LOC - TBA	TB14514	TB14511	TB14516	TB14509
SSPS RELAY & CONTACT NO.	K634 3-4	K634 7-8	K634 9-10	K634 1-2
SSPS REL. LOC - CPB	SB029C	SB032C	SB029C	SB032C
CONT PNL LOC - CPA	SA075A	SA075B	SA075A	SA075B
HIS NUMBER	ABHIS14	ABHIS17	ABHIS20	ABHIS11
HIS LOC - MCB	RL025	RL025	RL025	RL025
ISO. VALVE NO.	ABHV14	ABHV17	ABHV20	ABHV11
SCHEME NO. NOTE 11	1ABK28A	4ABK28A	1ABK28B	4ABK28B



NOTES:

NO.	DATE	REVISIONS	BY	CHKD	DESIGNED	DRAWN	CHECKED
1	10/14/84	REV'D POS. SW. MODEL NO PER AS-BUILT AND PER SFR 1-AB-28	JR	LEC	JR	LEC	LEC
2	11/24/84	REV'D LIMIT SWITCH CONTACTS TO INC. SFR-2-AB-033A AND SFR-K-AB-033A. REV'D LIMIT SWITCH FUNCTION	JR	LEC	JR	LEC	LEC
3		ISSUED FOR CONSTRUCTION	JR	LEC	JR	LEC	LEC

SCALE: DESIGNED JR, DRAWN LEC, CHECKED LEC

BECHTEL
GAITHERSBURG, MARYLAND

SNUPPS

SCHEMATIC DIAGRAM
MAIN STEAM ISOLATION VALVES
CONTROL-ACTIVE SIDE

UTILITY DRAWING NO.	REV

JOB NO.	BECHTEL DRAWING NO.	REV
10466	E-03AB28(Q)10	

DRAWING APPLICABLE TO UNITS: 1 2 3 4 5 6 7 8 9

17 x 22 "C" SIZE

I certify that the image contained on this frame was made in the normal and regular course of business, on the date stated below and that it is an accurate reproduction of the document(s) submitted to Micrographics.
DATE 5/13/84 OPERATOR [Signature]

PDR RIDS

8410090198

