

33 DEVICE-POSITION SWITCHES-ZSA

CLOSED POS	VALVE POSITION			FUNCTION
	CONTACT	CLOSED	MID	
A-11-B	ac			RED LIGHT
C-11-D	bc			SPARE
D-11-H	cc			COMPUTER
E-11-F	bc			STATUS PANEL (NOTE 2)
A-11-B	cc			SPARE
C-11-D	bc			GREEN LIGHT
D-11-H	cc			SPARE
E-11-F	bc			SPARE

INDICATES CLOSED CONTACT
NANCO TYPE EA170-11100

(DL) (RL)
INDICATING LIGHT OF TYPE ET-16
MODEL NO 0116867080-30, 3R
LIGHT NO - SEE TABLE B

BYPASS VALVE RESET	POSITION	
	NORM	RESET
1-11-1T		X
3-11-3T		X

CUTLER-HAMMER TYPE E309A WITH 1 KLA4 CONTACT BLOCK
HAND SWITCH HSB MOMENTARY CONTACTS SEE TABLE A

REFERENCE DWGS:
M-02AB02
J-02AB12
J-601A-107

TI APERTURE CARD

1. SEE DWG E-03AB23B FOR NOTES APPLICABLE TO THIS SHEET.

NOTES:

NO.	DATE	REVISIONS	BY	CHK'D	DESIGN	ENGR	PAUL	ENGR
1		REV. AS SHOWN						
2		REV. HSA TESTS AND...						
3		REV. DWG TITLE						
4		REORAN-ISSUE FOR CONSTR						

SCALE: DESIGNED BY: DRAWN BY: CHECKED BY:

TABLE A

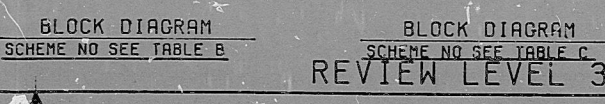
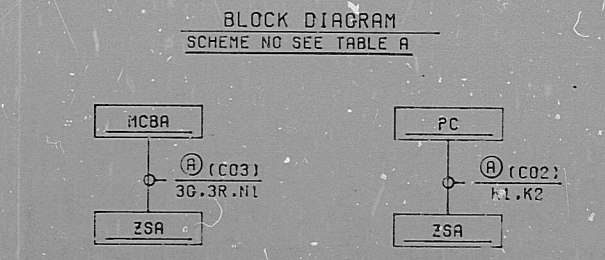
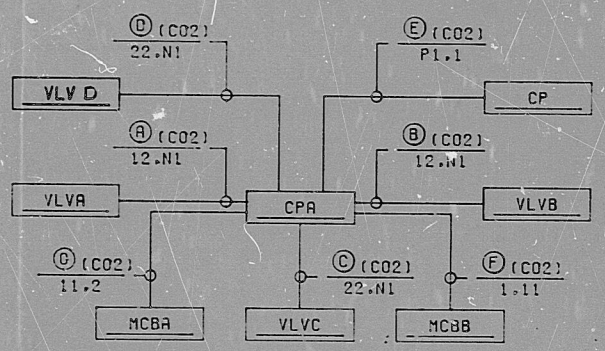
K627 RELAY LOC - CP	S8029C
AUX RELAY AR LOC - CPA	RP209
AUX RELAY AR NO	34XAB5
HSA LOCATION - MCBA	RL008
HSA NO	ABHS80
HSB LOCATION - MCBA	RL025
HSB NO	ABHS101
SOLENOID VALVE D - VLVD	ABHY21A
SOLENOID VALVE C - VLVC	ABHY18A
SOLENOID VALVE B - VLVB	ABHY15A
SOLENOID VALVE A - VLVA	ABHY12A
SCHEME NO	1ABK23A

TABLE B

IND LIGHT NO	RL025	RL025	RL025	RL025
AB2L12A	AB2L15A	AB2L18A	AB2L21A	
AB2S12A	AB2S15A	AB2S18A	AB2S21A	
4ABK23B	1ABK23C	4ABK23D	1ABK23E	

TABLE C

COMPUTER REF DWG	J-106-0115	J-106-0115	J-106-0115	J-106-0115
BECHTEL V. P. NO.	AB212	AB215	AB218	AB221
COMP PT NO	RJ160A	RJ159A	RJ160A	RJ159A
PC LOCATION - PC	AB2S12A	AB2S15A	AB2S18A	AB2S21A
POS SW NO - ZSA	4ABR23A	1ABR23B	4ABR23C	1ABR23D
SCHEME NO				



BECHTEL
GAITHERSBURG, MARYLAND
SNUPPS

SCHEMATIC DIAGRAM
MAIN STEAM ISOLATION
BYPASS VALVES

NO.	BECHTEL DRAWING NO.	REV
1C466	E-03AB23A(Q)	4

UTILITY DRAWING NO. REV

I certify that the image contained on this frame was made in the normal and regular course of business, on the date stated below and that it is an accurate reproduction of the document(s) submitted to Micrographics.
DATE 12/1/81 OPERATOR [Signature] SUPERVISOR [Signature]



PDR RIDS

8410090177

