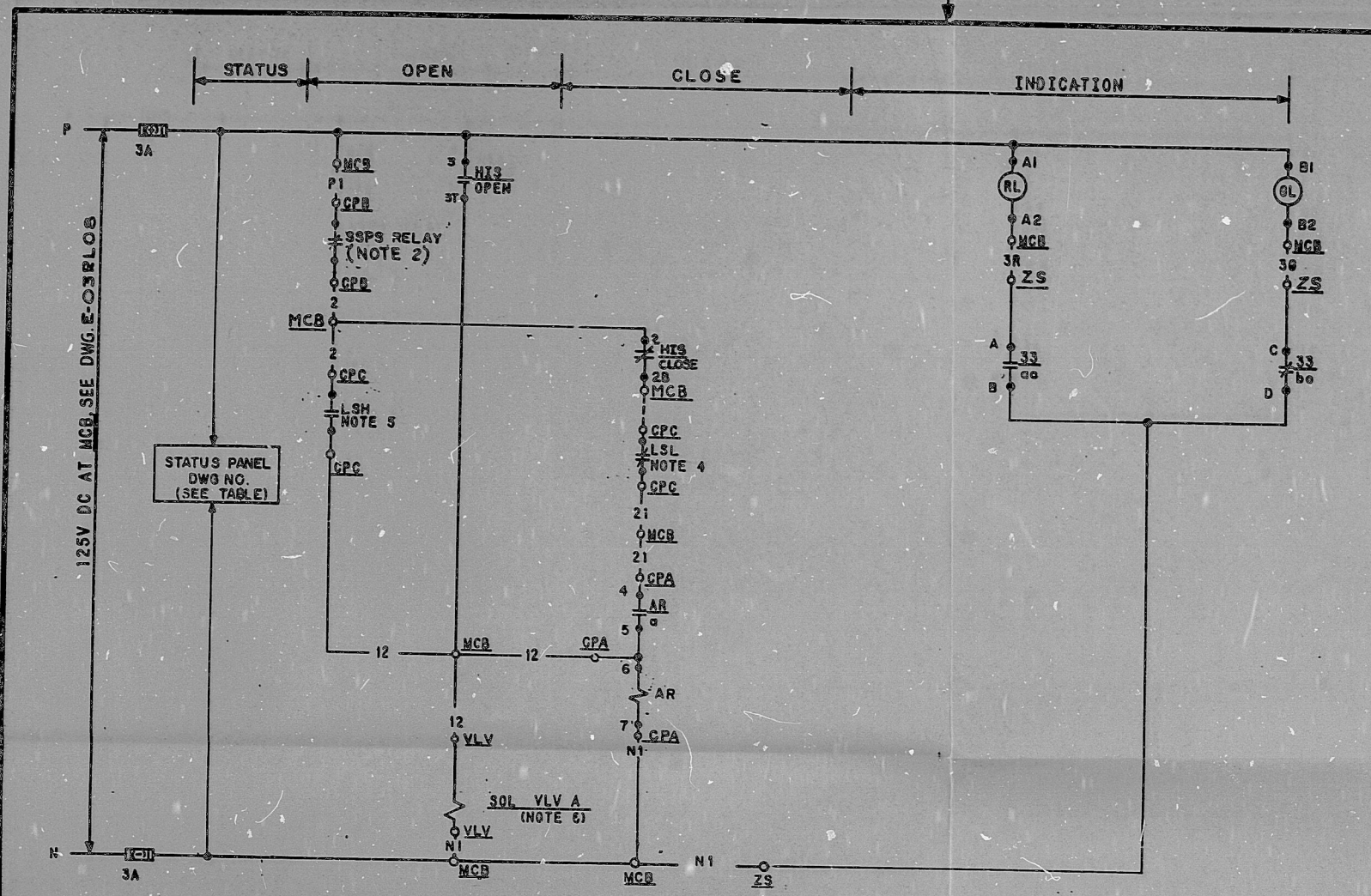


This drawing and the design it covers is the property of the utilities which are participating in the SNUPPS Project. It is loaned to the borrower's express agreement that it will not be reproduced, copied, loaned, exhibited, or used except in the limited way and private use permitted by written consent given by the SNUPPS Utilities to the borrower.



OPEN	OL	RL
CLOSE		

CONTACT	POSITION	
	NORM	CLOSE OPEN
1-11-01T	X	X
3-11-03T		X
2-11-020	X	X
4-11-04B		X

CUTLER-HAMMER TYPE E30 JY 9 WITH TWO KLA-3 CONTACT BLOCKS

HAND INDICATING SWITCH HIS-SEE TABLE MOMENTARY CONTACT

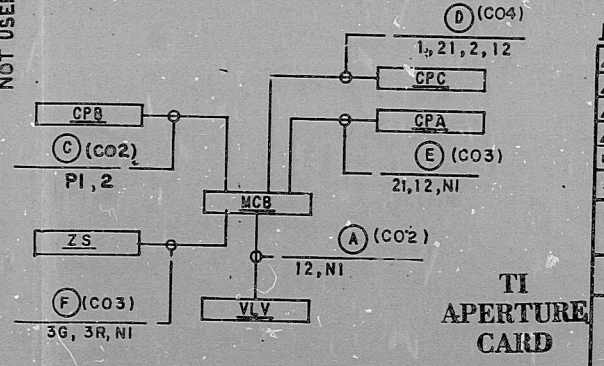
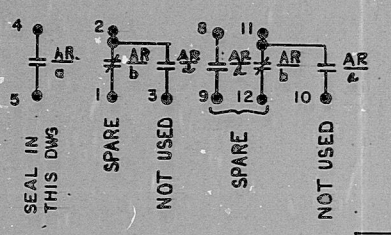
DEVICE 35-POSITION SWITCHES (NOTE 7)			
CONTACT POS.	VALVE POSITION		FUNCTION
	CLOSED	OPEN	
1-11-01	aa		RED LIGHT
2-11-02	bb		SPARE
3-11-03	cc		SPARE
4-11-04	bb		STATUS PNL. (NOTE 3)
5-11-05	aa		SPARE
6-11-06	bb		GREEN LIGHT
7-11-07	cc		COMPUTER
8-11-08	bb		SPARE

SOLID BAR INDICATES CONTACT CLOSED  
NAMCO TYPE EA170-1100

REFERENCE DWG.  
M-02AB02  
J-02AB04  
J-601A-100

1. MAIN VALVE FAILS CLOSED. VALVE SHOWN IN FULL CLOSED POSITION.
2. OPENS ON STEAM LINE ISOLATION SIGNAL. SEE WESTINGHOUSE DWG. BECHTEL V.P. NO. M-767-103. FOR RELAY & CONTACT NOS. SEE TABLE.
3. FOR VALVE POSITION STATUS SEE DWG. E-03SA13.
4. CONTACT OPENS ON MAIN STEAM LINE DRAIN LOW LEVEL.
5. CONTACT CLOSURES ON MAIN STEAM LINE DRAIN HIGH LEVEL.
6. BOTH SOLENOID VALVES A & B MUST BE ENERGIZED TO OPEN MAIN VALVE. CONTROL FOR SOL. B IS SHOWN ON DWG. E-03AB03B.
7. FOR POSITION SWITCH NO.—SEE TABLE

POSITION SW - ZS	ABZS7A	ABZS8A	ABZS9A	ABZS10A
SSPS RELAY & CONTACT NO.	K627 11-12	K627 17-18	K627 1-2	K627 3-4
VALVE PWR SUPPLY INPUT TO STATUS PNL. REF. DWG.	E-03SA15	E-03SA16	E-03SA15	E-03SA16
SSPS PANEL - CPB	S8029C	S8032C	S8029C	S8032C
LSL NUMBER	ABL5L7	ABL5L8	ABL5L9	ABL5L10
LSM NUMBER	ABL5M7	ABL5M8	ABL5M9	ABL5M10
LEVEL SWITCH NO.-LS	ABL5L7	ABL5L8	ABL5L9	ABL5L10
LS LOCATION-CPC	RP053AC	RP053BC	RP053AC	RP053BC
AUX RELAY, AR	83XAB1	83XAB2	83XAB3	83XAB4
AR LOCATION-CPA	RP139	RP140	RP139	RP140
HIS NUMBER	ABH137	ABH138	ABH139	ABH1310
HIS LOC - MCB	RLO25	RLO25	RLO25	RLO25
SOLENOID VLV. NO. VLV.	ABLY7A	ABLY8A	ABLY9A	ABLY10A
MAIN VLV. NO.	ABLV7	ABLV8	ABLV9	ABLV10
SCHEME NO.	1ABK03A	4ABK03B	1ABK03C	4ABK03D



BLOCK DIAGRAM  
SCHEME NO. SEE TABLE

NOTES:

NO.	DATE	REVISION	BY	CHK	DESIGN	ENGR	PROJ	ENGR
1	1/2/52	REVISED TABLE						
2	1/2/52	REVISED SCHEME						
3	1/2/52	ISSUED FOR CONCT						

BECHTEL	
GAITHERSBURG, MARYLAND	
SNUPPS	
SCHEMATIC DIAGRAM	
MAIN STEAM LINE DRAIN VALVES	
UTILITY DRAWING NO.	REV.
10480	5
DESIGNER	DATE
E-03AB03A (Q)	1/2/52

REVIEW LEVEL 3

I certify that the image contained on this frame was made in the normal and regular course of business, on the date stated below and that it is an accurate reproduction of the document(s) submitted to Micrographics.  
DATE 7-9-82 OPERATOR *Kate K...* SUPERVISOR *...*





PDR RIDS

8410090146

