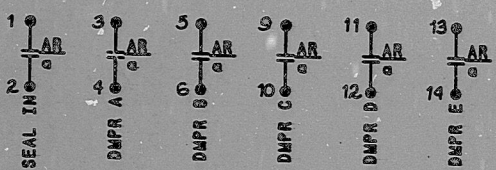


REFERENCE DWGS:
M-026K02
J-026K27

TABLE A

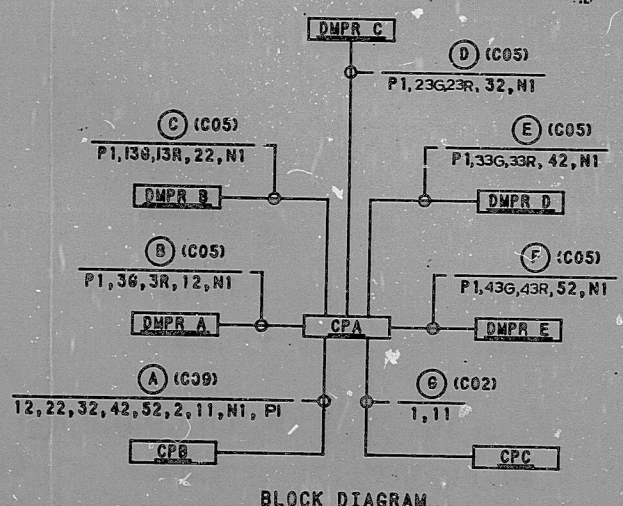
ESFAS RELAY & CONTACT NOS. (NOTE 3)	K125 1,2
SOLENOID E NO.	6KHV184E
SOLENOID D NO.	6KHV184D
SOLENOID C NO.	6KHV184C
SOLENOID B NO.	6KHV184B
SOLENOID A NO.	6KHV184A
ZLE NUMBER	6KZL184E
ZLD NUMBER	6KZL184D
ZLC NUMBER	6KZL184C
ZLB NUMBER	6KZL184B
AR NUMBER	832K11
HIS NUMBER	6KH1844
CONTROL PANEL-CPE	SA036B
AR LOCATION-CPE	RP140
ZLB THRU ZLE & HIS LOCATION-CPE	RP080
DAMPER NO.-DMPR E	6KHZ184E
DAMPER NO.-DMPR D	6KHZ184D
DAMPER NO.-DMPR C	6KHZ184C
DAMPER NO.-DMPR B	6KHZ184B
DAMPER NO.-DMPR A	6KHZ184A
SCHEME NO.	46KR30A



PLANT COMPUTER
BLOCK DIAGRAM
SCHEME NO.-SEE TABLE B

TABLE B

COMPUTER REF DWG	J-106-015	J-106-015	J-106-015	J-106-015	J-106-015
COMPUTER POINT	6KZ184A	6KZ184B	6KZ184C	6KZ184D	6KZ184E
COMPUTER LOC-PC	RJ160A	RJ160A	RJ160A	RJ160A	RJ160A
DAMPER NO.-DMPR	6KHZ184A	6KHZ184B	6KHZ184C	6KHZ184D	6KHZ184E
COMPUTER SCHEME NO	46KR30A	46KR30B	46KR30C	46KR30D	46KR30E



BLOCK DIAGRAM
SCHEME NO.-SEE TABLE A

REVIEW LEVEL 3

- DAMPERS SHOWN IN FULL CLOSED POSITION. DAMPERS FAIL CLOSED.
- ENERGIZE SOLENOID TO OPEN DAMPER.
- OPENS ON CRVIS SIGNAL. SEE TABLE A FOR RELAY & CONT NOS. & REFER TO BECHTEL V.P. J-040042
- SEE DWG E-035A32 FOR STATUS PNL CABLE PULL.
- INDICATING LIGHTS ZLB THRU ZLE ARE USED FOR DAMPERS B THRU E INDICATION. DAMPER A INDICATING LIGHT IS INTEGRAL TO HIS.

NOTES:

NO.	DATE	REVISION	BY	CHK	DESIGN	ENGR	DRWG

SCALE: 1"=1'-0"

BECHTEL
GAITHERSBURG, MARYLAND

SNUPPS

SCHEMATIC DIAGRAM
ISOLATION DAMPERS

DRWY DESIGNED BY: 107

DATE: 10/80

REVISION: E-036K30A (Q)

NO. 2

I certify that the image contained on this frame was made in the normal and regular course of business on the date stated below and that it is an accurate reproduction of the document(s) submitted to Micrographics.
DATE: 1-17-81 OPERATOR: SUPERVISOR:

8410090054

841009

RDR RIDS

