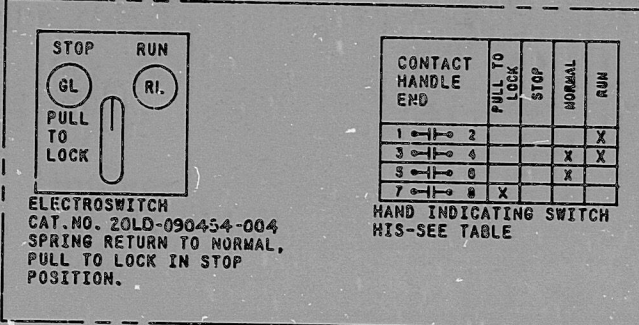
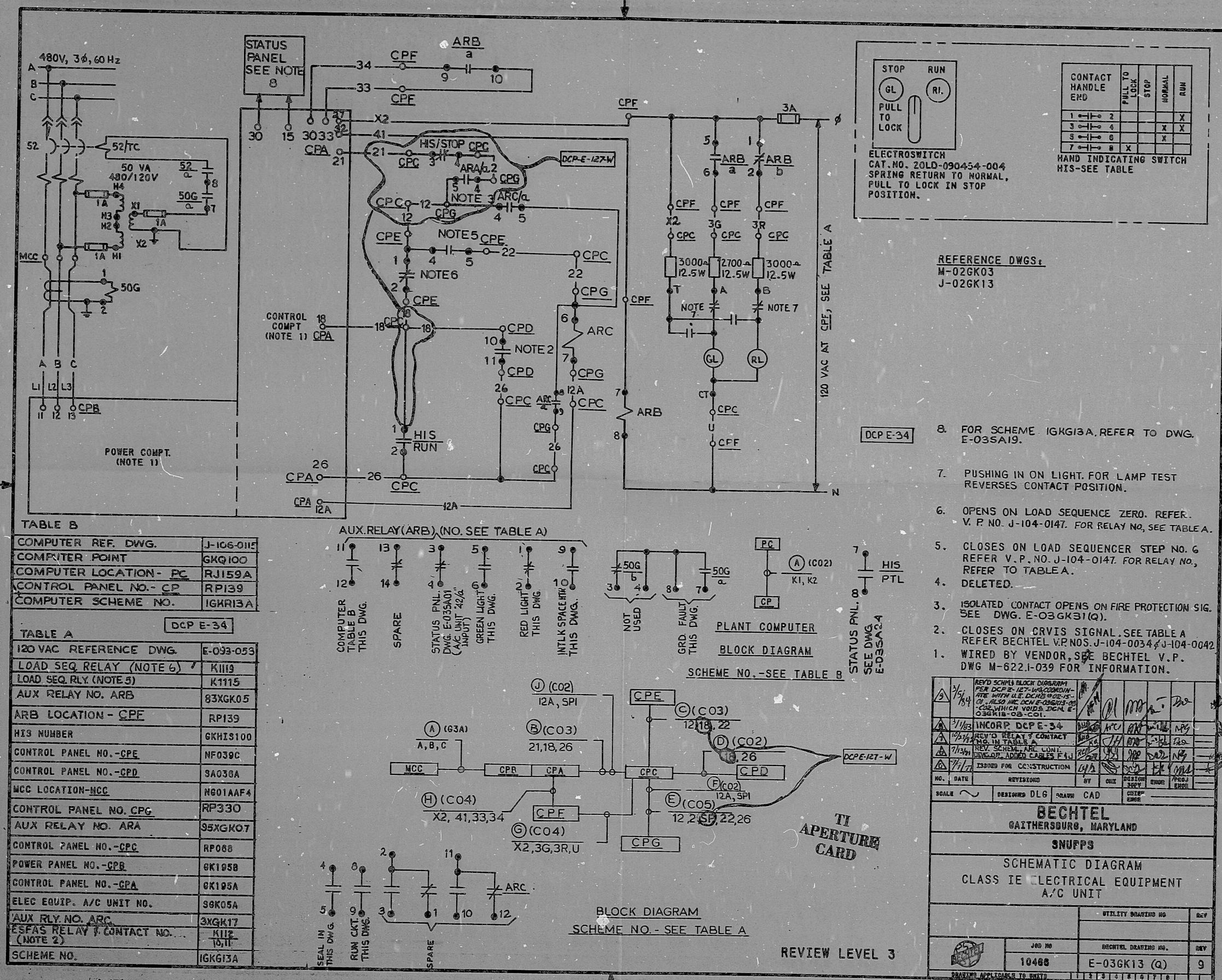


This drawing and the design it covers is the property of the Utilities which are participating in the SNUPPS Project. It is loaned on the borrower's express agreement that it will not be reproduced, copied, loaned, exhibited, or used except in the limited way and proviso use permitted by the SNUPPS Utilities to the borrower.



REFERENCE DWGS:
M-02GK03
J-02GK13

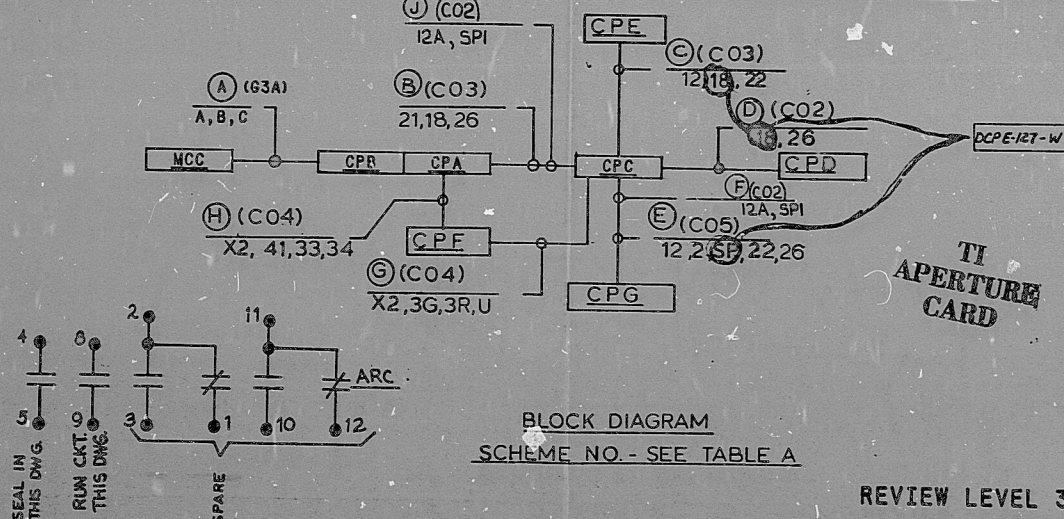
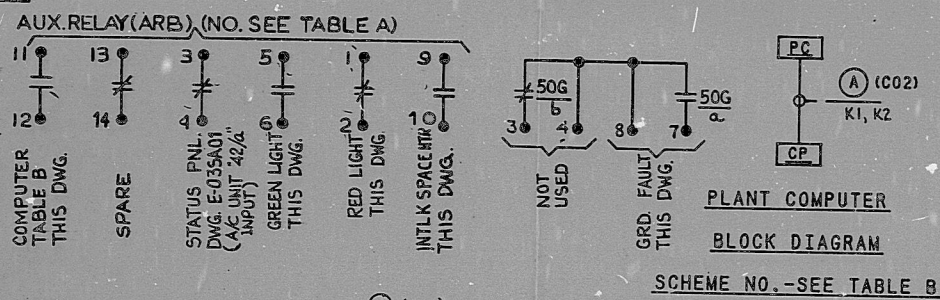
8. FOR SCHEME 1GK613A, REFER TO DWG. E-03SA19.
7. PUSHING IN ON LIGHT. FOR LAMP TEST REVERSES CONTACT POSITION.
6. OPENS ON LOAD SEQUENCE ZERO. REFER. V. P. NO. J-104-0147. FOR RELAY NO, SEE TABLE A.
5. CLOSSES ON LOAD SEQUENCER STEP NO. 6 REFER V. P. NO. J-104-0147. FOR RELAY NO, REFER TO TABLE A.
4. DELETED.
3. ISOLATED CONTACT OPENS ON FIRE PROTECTION SIG. SEE DWG. E-03GK31(Q).
2. CLOSSES ON CRVIS SIGNAL. SEE TABLE A REFER BECHTEL V.P.NOS. J-104-0034 & J-104-0042
1. WIRED BY VENDOR, SEE BECHTEL V.P. DWG M-622.1-039 FOR INFORMATION.

TABLE B

COMPUTER REF. DWG.	J-106-011E
COMPUTER POINT	GKQ100
COMPUTER LOCATION - PC	RJ159A
CONTROL PANEL NO. - CP	RP139
COMPUTER SCHEME NO.	1GK613A

TABLE A

120 VAC REFERENCE DWG.	E-033-053
LOAD SEQ. RELAY (NOTE 6)	K1119
LOAD SEQ. RLY. (NOTE 5)	K1115
AUX RELAY NO. ARB	83XGK05
ARB LOCATION - CPE	RP139
HIS NUMBER	GKHIS100
CONTROL PANEL NO. - CPE	NF039C
CONTROL PANEL NO. - CPD	3A036A
MCC LOCATION - MCC	N601AAF4
CONTROL PANEL NO. CPG	RP330
AUX RELAY NO. ARA	95XGK07
CONTROL PANEL NO. - CPC	RP088
POWER PANEL NO. - CPB	GK195B
CONTROL PANEL NO. - CPA	GK195A
ELEC EQUIP. A/C UNIT NO.	96K05A
AUX RLY NO. ARC	K112
ESFAS RELAY CONTACT NO. (NOTE 2)	10,11
SCHEME NO.	1GK613A



REV'D	DATE	REVISION	BY	CHKD	DESIGN	ENGR	PROJ
1/1/74							
2/1/74							
3/1/74							
4/1/74							
5/1/74							
6/1/74							
7/1/74							
8/1/74							
9/1/74							
10/1/74							
11/1/74							
12/1/74							

SCALE: DESIGNED DLG DRAWN CAD

BECHTEL
GAITHERSBURG, MARYLAND

SNUPPS

SCHEMATIC DIAGRAM
CLASS IE ELECTRICAL EQUIPMENT
A/C UNIT

UTILITY DRAWING NO. REV

JOB NO. 10488 BECHTEL DRAWING NO. E-03GK13 (Q) REV 9

I certify that the image contained on this frame was made in the normal and regular course of business, on the date stated below and that it is an accurate reproduction of the document(s) submitted to Micrographics.
DATE 5/15/84 OPERATOR Mark Brown

PDR RIDS

8410090034

