

17"

11"

8.5"

8.5"

11"

17"

17"

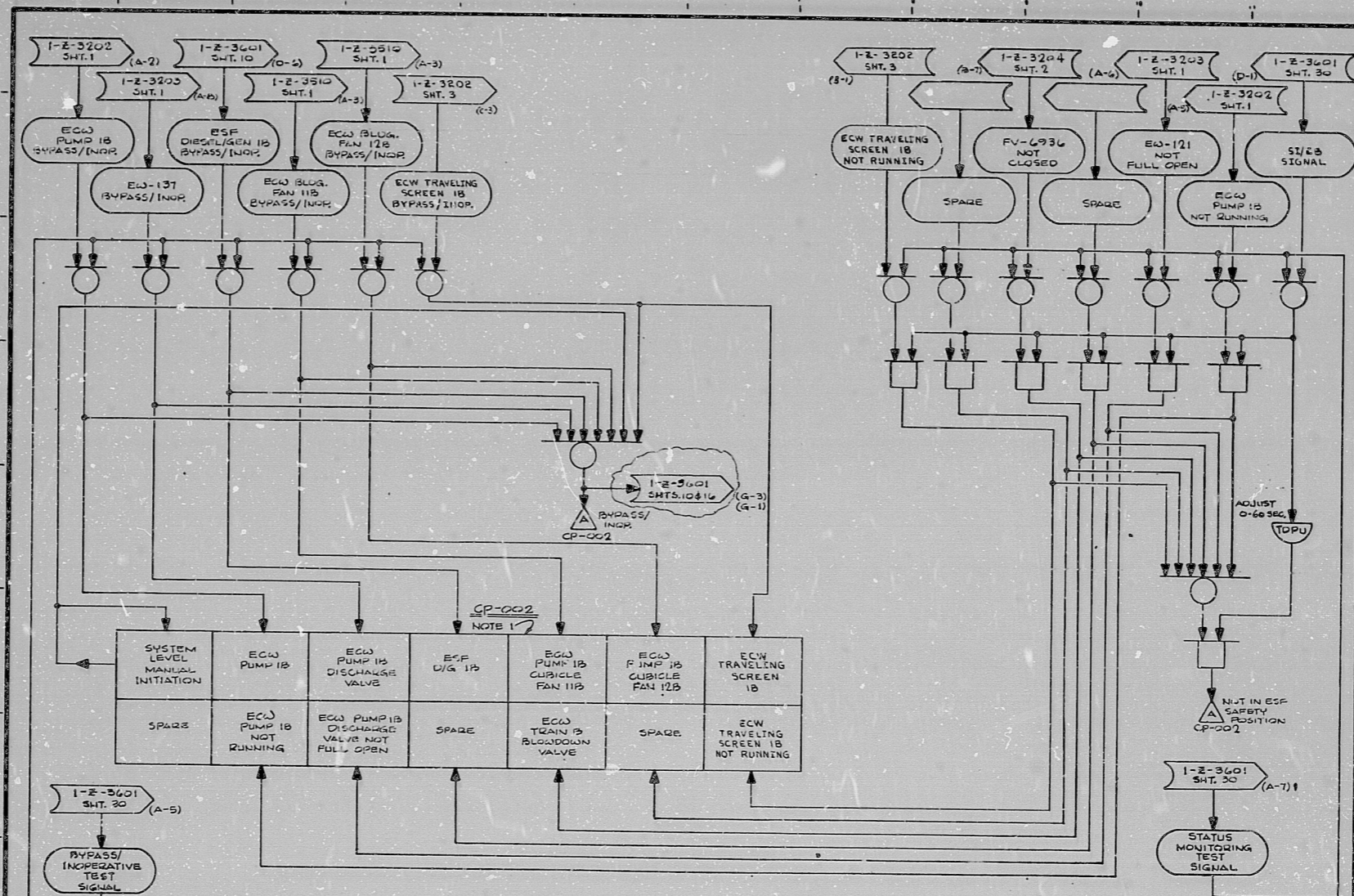
11"

8.5"

8.5"

11"

17"



NOTES:
 1) INDICATOR LIGHTS AND SWITCHES SHALL BE MASTER SPECIALTIES SERIES 10 TWIST-LITE OR EQUIVALENT.

GENERAL NOTE:
 THIS DRAWING REPRESENTS FUNCTIONAL REQUIREMENTS ONLY. REFER TO ELECTRICAL REFERENCE DRAWING FOR HARDWARE IMPLEMENTATION.

PKG. NO. 085A AREA 102

REV.	DATE	DESCRIPTION	BY	CHK.	APP.	DATE
C-19		REV. AS NOTED ISSUED FOR USE				
B-77		REVISED AS NOTED				
A-57		LOGIC WAS REVISED AS 1-2-3000				

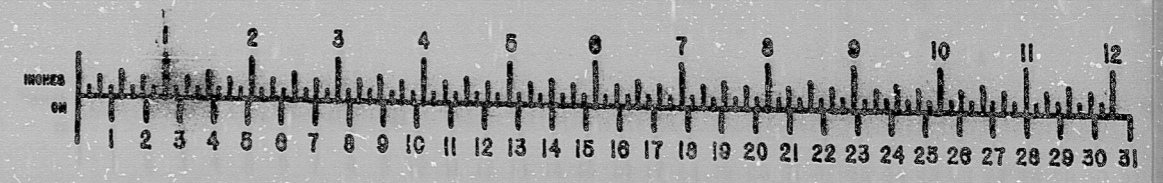
Brown & Root Inc. ENGINEERS-CONSTRUCTORS HOUSTON, TEXAS		SOUTH TEXAS PROJECT		DRAWING TITLE ESW ESF MONITORING TRAIN B LOGIC DIAGRAM SYSTEM: 2-26	CONTRACT NO. SCALE CR-0241 NA
				DRAWING NO. 1-2-3001 E SHT. 1	

TERA APERTURE CARD

INFORMATION
THIS DOCUMENT IS
SUBJECT TO REVISION
WITHOUT NOTIFICATION
TO THE USER OR THIS
COPY

BROWN & ROOT INC.
MICROFILM SERVICES

FRIDAY, JUNE 9 1978



RIDS

8112080264

