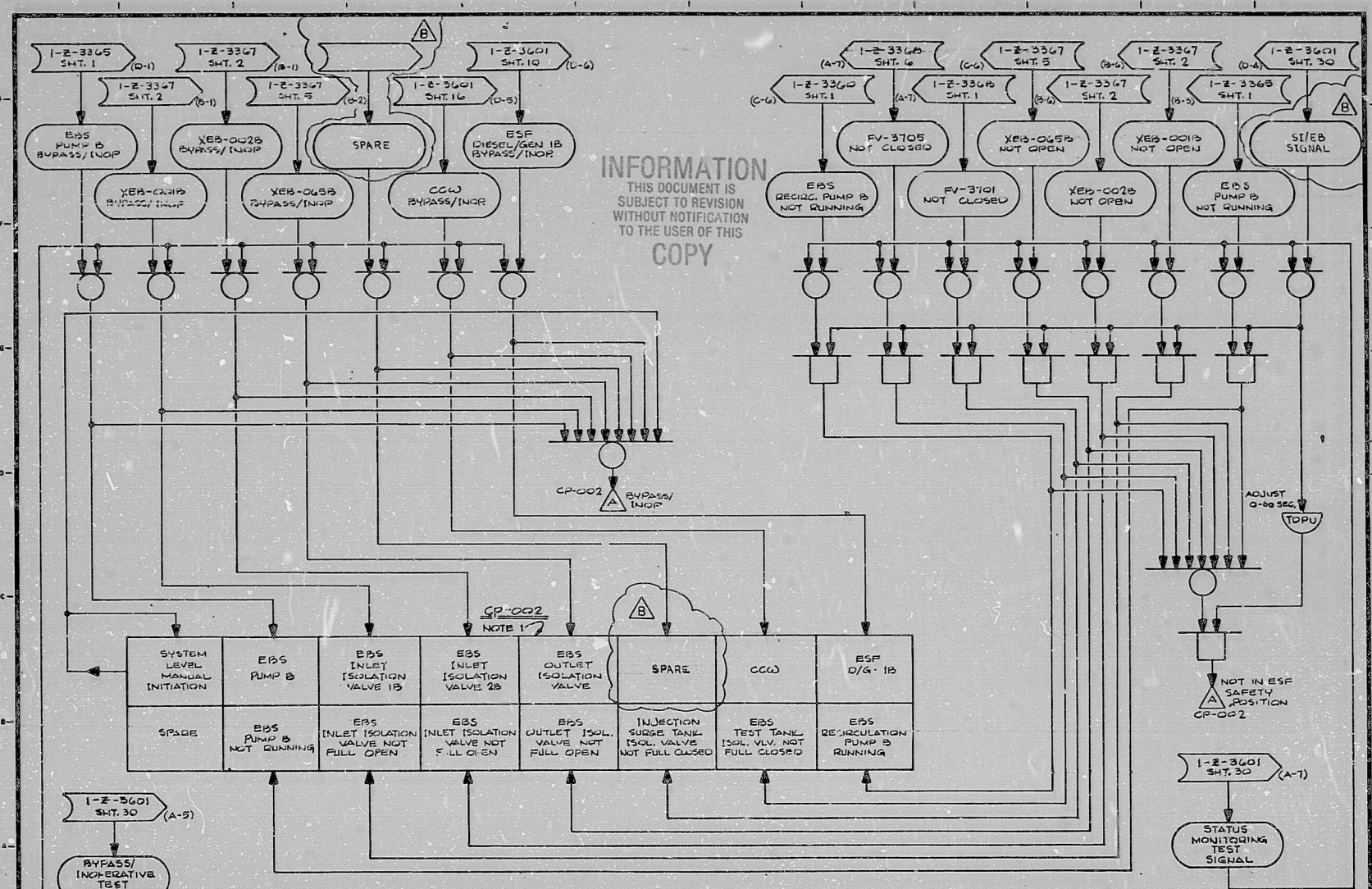


17"  
11"  
8.5"  
8.5"  
11"  
17"

17"  
11"  
8.5"  
8.5"  
11"  
17"



INFORMATION  
THIS DOCUMENT IS  
SUBJECT TO REVISION  
WITHOUT NOTIFICATION  
TO THE USER OF THIS  
COPY

NOTES:  
1) INDICATOR LIGHTS AND SWITCHES SHALL BE MASTER SPECIALTIES  
SERIES 10 TWIST-LITE OR EQUIVALENT.

GENERAL NOTE:  
THIS DRAWING REPRESENTS FUNCTIONAL REQUIREMENTS ONLY. REFER  
TO ELECTRICAL REFERENCE DRAWING FOR HARDWARE IMPLEMENTATION.

REVISED AS NOTED	DATE	BY	DESCRIPTION	DATE	BY	DESCRIPTION	DATE	BY	DESCRIPTION
1	10/1/77	...	...	...	...	...	...	...	...

**SOUTH TEXAS PROJECT**

DRAWING TITLE: EFS  
CONTRACT NO. SCALE: CR-0241 NA  
ESF MONITORING TRAIN B  
LOGIC DIAGRAM  
SYSTEM-R-26  
DRAWING NO. 7-26  
1-Z-3601B  
SHT. 1

PKG. NO. 055A AREA 102

ENGINEERS-CONSTRUCTORS HOUSTON, TEXAS

MICROFILMED JUL 01 1977

PRELIMINARY REVIEW USE CONSTRUCTION

**BROWN & ROOT INC.**  
MICROFILM SERVICES  
THURSDAY, SEPT. 22 1977



TERA  
APERTURE  
CARD



RIDS

8112080254

