

17"

11"

8.5"

8.5"

11"

17"

17"

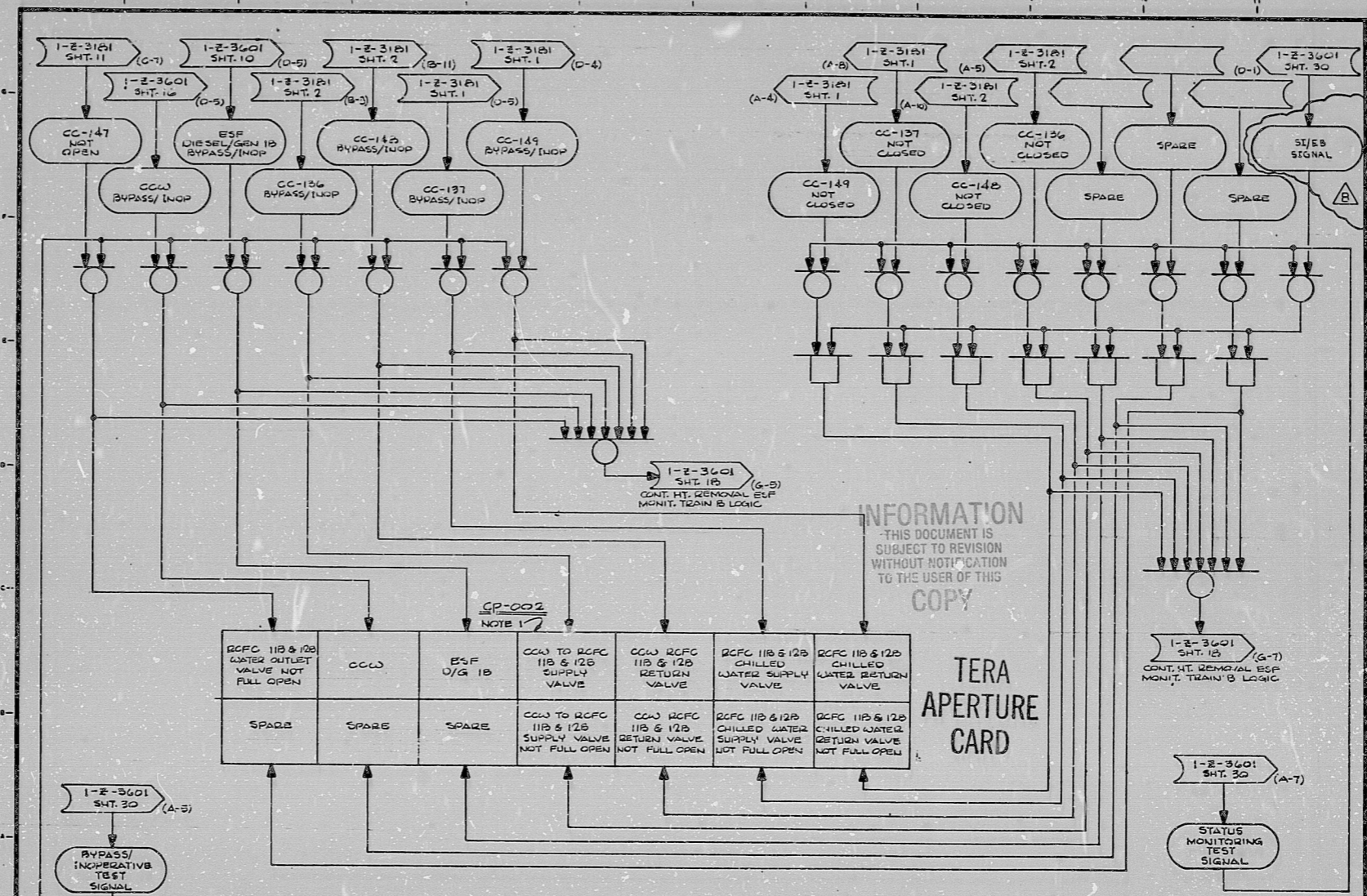
11"

8.5"

8.5"

11"

17"



NOTES:  
 1) INDICATOR LIGHTS AND SWITCHES SHALL BE MASTER SPECIALTIES  
 EQUIVED TO TWIST-LITE OR EQUIVALENT.

GENERAL NOTE:  
 THIS DRAWING REPRESENTS FUNCTIONAL REQUIREMENTS ONLY. REFER  
 TO ELECTRICAL REFERENCE DRAWING FOR HARDWARE IMPLEMENTATION.

REVISED AS NOTED	DATE	BY	CHK	ENG	MOD	DATE	DESCRIPTION	BY	CHK	ENG	MOD

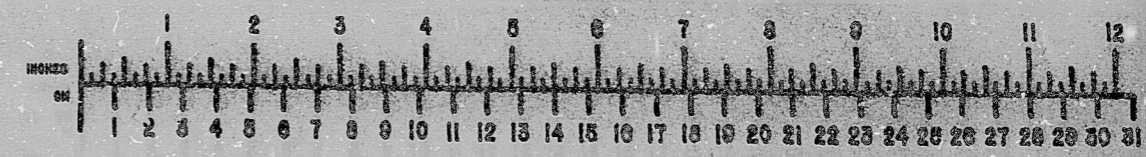
PKG. NO. 085A AREA 102

SOUTH TEXAS PROJECT	DRAWING TITLE	CONTRACT NO. SCALE
	CONT. HEAT REMOVAL ESF MONITORING TRAIN B LOGIC DIAGRAM	CR-0241 NA
	SYSTEM: 2-26	DRAWING NO. 72-26 1-E-3101B SHT. 15

□ PRELIMINARY □ REVIEW □ USE □ CONSTRUCTION

BROWN & ROOT INC.  
 MICROFILM SERVICES

THURSDAY, SEPT. 23 1977





RIDS

8112089230

