

17"

11"

8.5"

8.5"

11"

17"

17"

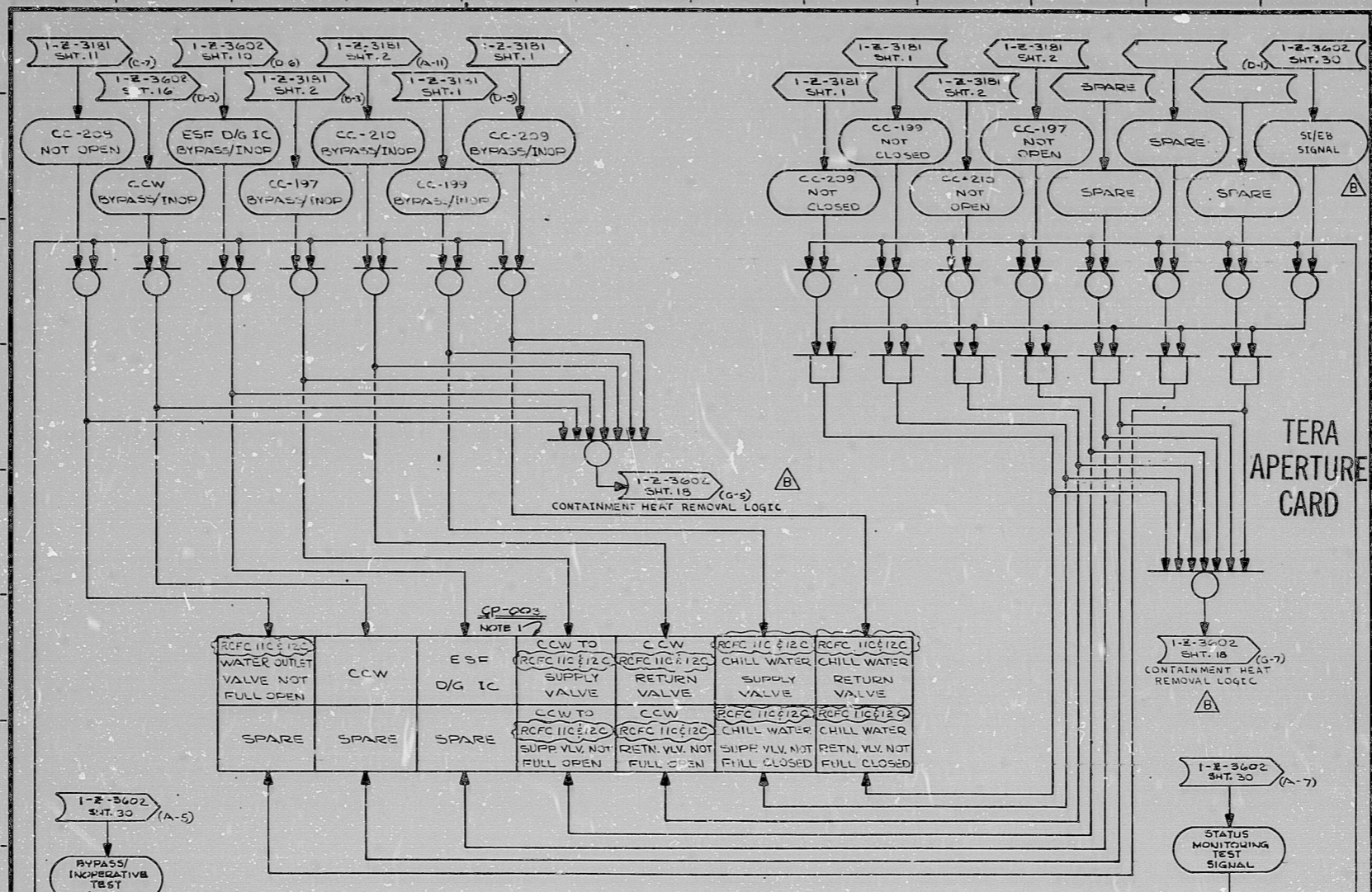
11"

8.5"

8.5"

11"

17"



NOTES:  
 D INDICATOR LIGHTS AND SWITCHES SHALL BE MASTER SPECIALTIES  
 SERIES 10 TWIST-LITE OR EQUIVALENT.

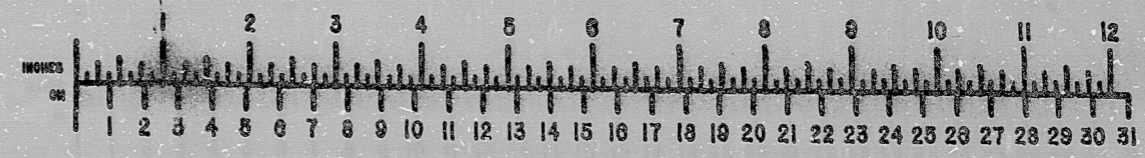
GENERAL NOTE:  
 THIS DRAWING REPRESENTS FUNCTIONAL REQUIREMENTS ONLY. REFER  
 TO ELECTRICAL REFERENCE DRAWING FOR HARDWARE IMPLEMENTATION.

C 2/78 ISSUED FOR USE, REVISED AS NOTED			SOUTH TEXAS PROJECT			DRAWING TITLE CONTAINMENT HEAT REMOVAL ESF MONITORING TRAIN C LOGIC DIAGRAM SYSTEM: 2-26			CONTRACT NO. SCALE CR-0241 N/A		
B 2/77 REVISED AS NOTED			BROWN & ROOT INC. ENGINEERS-CONSTRUCTORS HOUSTON, TEXAS			DRAWING NO. 2-26 1-E-3602C			SHT. 19		
A 2/77 LOGIC WAS REVERSED AS ENG. 1-RECHAS			DATE DESCRIPTION BY CHK ENG DESG			DATE DESCRIPTION BY CHK ENG DESG			DATE DESCRIPTION BY CHK ENG DESG		

INFORMATION  
 THIS DOCUMENT IS  
 SUBJECT TO REVISION  
 WITHOUT NOTIFICATION  
 TO THE USER OR THIS  
 COPY

BROWN & ROOT INC.  
 MICROFILM SERVICES

FRIDAY, JUNE 9 1978



RIDS

812080167

