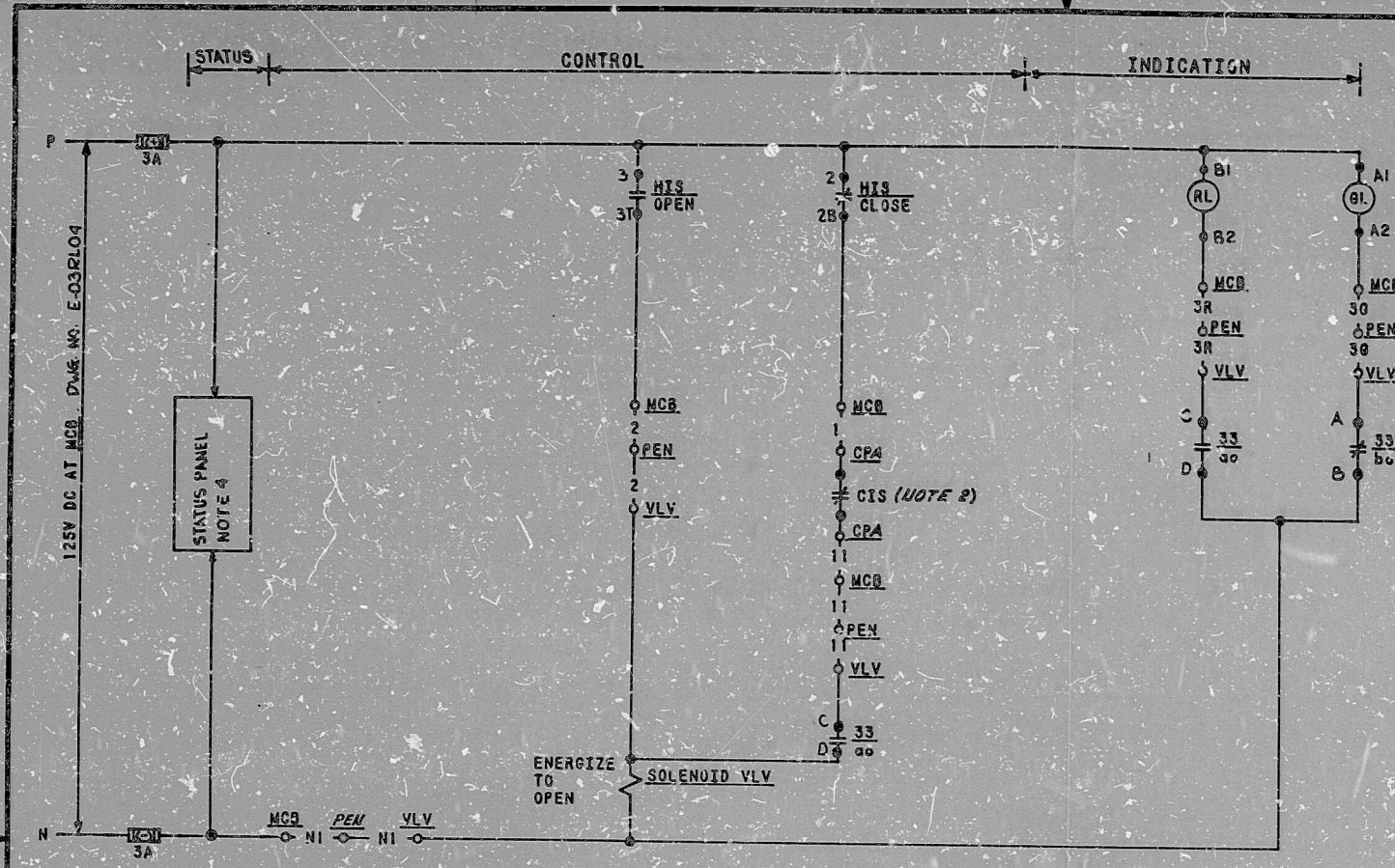


This drawing and the design it covers is the property of the utilities which are participating in the SNUPPS Project. It is loaned on the licensee's express agreement that it will not be reproduced, copied, loaned, exhibited, or used except in the limited way and private use permitted by written consent given by the SNUPPS Utilities to the borrower.



OPEN		CONTACT			POSITION		
GL	RL		NORM	CLOSE	OPEN		
		1-11-1T	X	X			
		3-11-3T			X		
		2-11-2B	X		X		
		4-11-4B				X	

CUTLER-HAMMER TYPE E30 JY-5 WITH TWO KLA-5 CONTACT BLOCKS

HAND INDICATING SWITCH HIS-SEE TABLE A  
OPEN SW-MOMENTARY  
CLOSE SW-MAINTAINED

DEVICE 33 - POSITION SWITCHES				
CLOSED POS.	CONTACT	VALVE POSITION		FUNCTION
		CLOSED	OPEN	
	1-11-1T	aa		RED LIGHT
	1-11-3T	ba		(NOTE 3)
	1-11-2B	aa		SPARE
	1-11-4B	ba		COMPUTER
OPEN	1-11-1T	Da		SEAL IN CKT
	1-11-3T	ba		GREEN LIGHT
	1-11-2B	aa		SPARE
	1-11-4B	ba		SPARE

SOLID BAR INDICATES CONTACT CLOSED  
CLOSE - NAMCO TYPE EA 180-11302  
OPEN - NAMCO TYPE EA 180-12302

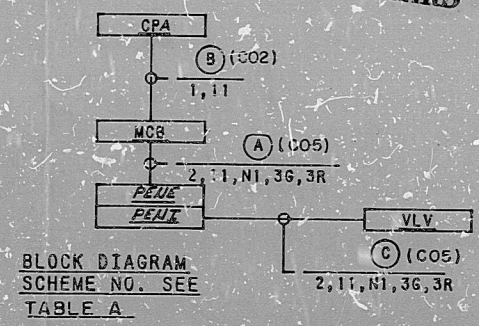
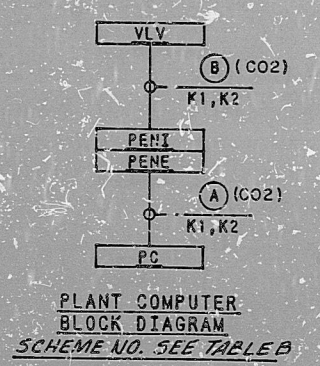
REF. DWGS:  
M-02EJ01

- FOR STATUS PANEL CABLE PULL SEE TABLE
- TO STATUS PANEL. SEE DWG E-03SA14
- LIS CONTACT OPENS ON CONTAINMENT ISOLATION. RELAY & CONTACT NO. SEE TABLE. FOR DETAILS SEE WESTINGHOUSE DWG, BECHTEL V.P. NO. M-767-181 & M-767-182.
- VALVE FAILS CLOSED.

NOTES:

NO.	DATE	REVISIONS	BY	CHKD	DESIGN	ENGR	PRJZ
1	5/14/74	REVISED TABLE A					
2	5/14/74	REVISED DEVICE 33 CONTACT FUNCTION					
3	5/14/74	REVISED FOR CONSTRUCTION					

TABLE B			
COMPUTER REF. DWG. BECHTEL, V.P. NO.	J-106-0115	J-106-0115	J-106-0115
PENETRATION-PEN	ZNE277	ZSE233	ZNE277
COMPUTER POINT	EJZ8823	EJZ8890B	EJZ8890A
COMPUTER LOCATION-PC	RJ159A	RJ160A	RJ159A
VALVE LOCATION-VLV	EJHCV8825	EJHCV8890B	EJHCV8890A
COMPUTER SCHEME NO. TABLE A	1EJK07A	4EJK07B	1EJK07C
STATUS PNL (NOTE 4)	E-03SA15	E-03SA16	E-03SA15
PENETRATION-PEN	ZNE277	ZSE233	ZNE277
HIS NUMBER	EJHIS8825	EJHIS8890B	EJHIS8890A
HIS LOC - MCB	RL017	RL017	RL017
LOCATION - CPA	SB029C	SB032C	SB029C
VALVE NO - VLV	EJHCV8825	EJHCV8890B	EJHCV8890A
S.S. PROT. RELAY	K622	K622	K622
CONTACT NO.	13-14	13-14	13-14
SCHEME NO.	1EJK07A	4EJK07B	1EJK07C
SYSTEM	HOT LEG	COLD LEG	



TI APERTURE CARD

REVIEW LEVEL 3

BECHTEL			
BAITERSBURG, MARYLAND			
SNUPPS			
SCHEMATIC DIAGRAM			
RESIDUAL HEAT REMOVAL			
HOT & COLD LEG TEST LINE			
UTILITY DRAWING NO.	REV.	JOB NO.	BECHTEL DRAWING NO.
		10468	E-03EJ07 (Q)
			4

I certify that the image contained on this frame was made in the normal and regular course of business, on the date stated below and that it is an accurate reproduction of the document(s) submitted to Micrographics.  
DATE 5-21-84 OPERATOR *A. E. Hays* SUPERVISOR *[Signature]*





8410050430

PDR RWS

